

## MODULAR FUSE HOLDERS

For 10x38 mm, 10x85 mm & Class CC fuses



# SHORT-CIRCUIT & OVERLOAD PROTECTION OF INDUSTRIAL DEVICES

The modular fuse holder are designed to accommodate 10x38 mm, class CC and photovoltaic fuses with options for 1, 2, or 3 poles, including neutral configurations. Whether with or without a blown fuse indicator, TE's holders prioritize safety and convenience. Equipped with screw clamp technology, they provide for secure connections for reliable short-circuit and overload protection of industrial devices.

## BENEFIT STATEMENTS

### Space efficient

#### Modular design

- Modular closed design meet the standards of the industry.
- Suitable for installation in boxes or electrical cabinets.

#### Single to multiple poles

- Pre-configured multipole versions.

#### Compact design

- One of the highest cross section of the market (25 mm<sup>2</sup>) in only 18 mm spacing.
- Up to 32 A circuit protection in only 18 mm spacing and reduced height.
- 1 PH+N version in only 18 mm space Easily stackable side by side, virtually no space loss.

### Easy to install

#### Easy mounting & handling

- Fuse changing with the flick of a finger.
- DIN rail mounting.
- Multi-pole assembly kit available for field assembling.

#### Easy maintenance

- Optional blown fuse indicator allows quick identification of faulty circuit.
- Technical specifications available on the side of the products.

### Operator safety

#### Finger safe

- IP20 protection degree.
- Modular and closed design.

#### Installation safety

- Sealable in closed position
- Flame retardant plastic.

## KEY FEATURES

- Screw-clamp technology
- Stackable , 1, 2 or 3 poles
- 25 mm<sup>2</sup> - 4 AWG and 2 x 10 mm<sup>2</sup> - 6 AWG
- Up to 690 VAC 32 A
- 10.3x38 PV fuse version up to 1000 V DC (IEC/UL)
- 10x85 PV fuse version up to 1500 VDC (IEC/UL)
- Flame retardant body as per UL 94 V0
- IP 20 and sealable in closed position

## APPLICATIONS

- Electrical cabinet builder
- Automation control
- Battery energy storage systems (BESS)
- Electrical vehicle infrastructures (EVI)
- Outdoor lighting
- Solar inverters & combiner boxes
- Motion & Drives
- HVAC
- Machinery

# APPLICATIONS

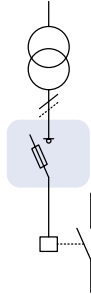
## 10x38 mm FUSE DISCONNECTOR

These products are designed to support fine protection of electrical devices in single phase and three phase networks with or without neutral. This family is designed to fulfill OEMs and panel builders' requirements. They find ideal application in industrial automation switchboards and cabinets to protect primary and secondary circuits.

### 2 poles application standard or compact (One pole + Neutral)

The schematic on the right shows a typical application in the OEM segment with single-phase configuration for the protection of transformer.

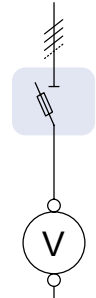
According to IEC 60364-1, secondary winding of command transformer shall be protected against short circuit and overload. Transformer provides 230V A.C. dedicated power supply to a battery of contactors.



### 3 poles application (3 phases)

The schematic on the right shows a typical application in a secondary distribution board.

Following the manufacturer's instructions, the voltmeter inputs of the multifunction meter - three phases plus neutral - shall be protected by fuses.

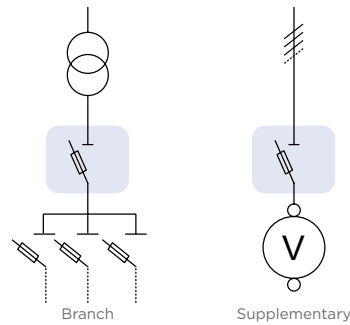


**Other applications from 1 to 3 poles:** switchboards, cabinets to protect primary and secondary circuits, electric devices and appliances, transformers, motors and other resistive or inductive loads, lighting circuits, protection and monitoring devices, measuring instruments, signalling devices and socket outlets, wires and cables.

## CC FUSE DISCONNECTOR

Those products are designed to help ensure protection of electrical devices in single phase and three phase networks for north American market as per UL 4248.

- The schematics on the right show the 2 kinds of protections described in UL 4248.
- Branch protection: protection of circuits, cables and devices. It can be done by high limiting devices installed upstream on the circuit to be protected.
- Supplementary protection: further protection of the instrumentation inside the switchboard : Measurement devices, Signaling devices, Surge protection devices, time switches.

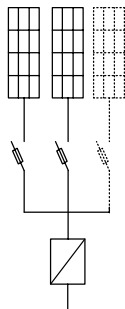


**Other applications from 1 to 3 poles:** switchboards, cabinets to protect primary and secondary circuits, electric devices and appliances, transformers, motors and other resistive or inductive loads, lighting circuits, protection and monitoring devices, measuring instruments, signalling devices and socket outlets, wires and cables.

## PHOTOVOLTAÏC FUSE DISCONNECTOR

This family is designed for fine protection of PV electric circuits and the protection of devices located in DC combiner boxes, inverters and AC electrical panels. Example shows various usage configurations.

To prevent damage to the PV DC lines and provide isolation for maintenance purposes, the fuse disconnectors are installed downstream on every single string. Fuse shall be selected according to rated current of the line, up to 32A.



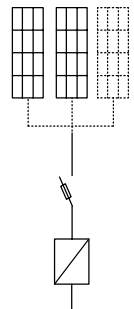
When the  $I_{sc}$  (solar cell short circuit current) in the point of installation is higher than 25A DC, The SPDs (Surge protection device) require back-up protection with specific gR fuse.

The modular fuse holder allow protection of all range of PV surge protection devices, up to 1500 V DC with a reduced overall dimension.



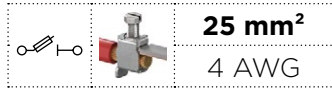
In small photovoltaic plants, the PV fuse disconnectors can be used to protect DC side of inverter up to 1500 V.

Fuse link rated current shall be chosen according to inverter rated current.

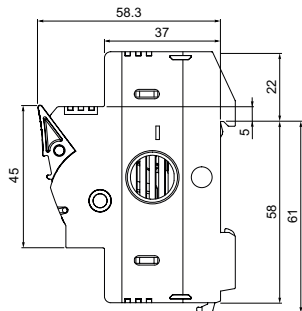


# DL25/18.SF - MODULAR FUSE HOLDER

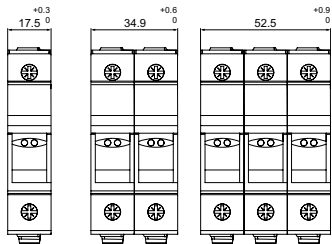
For 10x38 mm fuses - 18 mm 0.708 in spacing per module



DL25/18.SF



18 mm 0.708 in spacing



## Description

Protect your circuit with 10x38 mm modular fuse holder (fuse not supplied with the terminal blocks),

- Compliant with IEC 60269-2 and 60947-1 and 60947-3,
- Compact design for space saving, easy access to the fuse, finger safe,
- Quickly identify the defective circuit thanks to the blown fuse indicator (110 V to 725 V AC-DC).

## Ordering details

Description	Color	Type	Part Number	Pkg qty	Weight (1 pce) g
Modular Fuse Holder 10x38	Grey	DL25/18.SF1	ISNF100023R0000	12	52
	Grey	DL25/18.SF.2	ISNF100025R0000	6	103
	Grey	DL25/18.SF.3	ISNF100027R0000	4	155
	Grey	DL25/18.SN	ISNF100022R0000	12	62
Modular Fuse Holder 10x38 with blown fuse indicator	Grey	DL25/18.SFL1	ISNF100024R0000	12	57
	Grey	DL25/18.SFL.2	ISNF100026R0000	6	113
	Grey	DL25/18.SFL.3	ISNF100028R0000	4	170

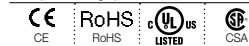
## Main technical data

Connecting capacity	IEC	UL - CSA
<b>Fuse Size</b>	10x38 mm	
<b>1 conductor per clamp</b>	Rigid: Solid/Stranded, Flexible	0.75 ... 25 mm <sup>2</sup> 18 ... 4 AWG
	Flexible with non insulated ferrule	0.75 ... 25 mm <sup>2</sup> 18 ... 4 AWG
	Flexible with insulated ferrule	0.75 ... 25 mm <sup>2</sup> 18 ... 4 AWG
<b>2 conductors per clamp</b>	Rigid: Solid/Stranded, Flexible	0.75 ... 10 mm <sup>2</sup> 18 ... 6 AWG
	Flexible with non insulated ferrule	0.75 ... 10 mm <sup>2</sup> 18 ... 6 AWG
	Flexible with insulated ferrule	0.75 ... 10 mm <sup>2</sup> 18 ... 6 AWG
<b>Rated current</b>	32 A	30 A
<b>Rated voltage</b>	690 VAC /DC	600 VAC /DC
<b>Short Circuit Current Rating SCCR AC/DC</b>	100 kA	100 kA
<b>Rated impulse withstand voltage</b>	6 kV	
<b>Protection</b>	IP20	
<b>Max. power dissipation of fuse links Pn</b>	3 W	
<b>Max. power dissipation</b>	4 W	
<b>Power dissipation of fuse-holder</b>	0.4 W	
<b>Utilisation category</b>	AC20B/DC20B	
<b>Voltage limit for blown fuse indicator</b>	110 V to 725 VAC/DC	
<b>Operating temperature with carrier operation</b>	-40°C to 70°C	-40°F to 158°F
<b>Operating temperature without carrier operation</b>	-50°C to 90°C	-58°F to 194°F
<b>Storage temperature</b>	-40°C to 70°C	-40°F to 158°F

## Mounting instructions

Wire stripping length	Tool	Recommended torque
11 mm 0.433 in	PZ2 or Flat screwdriver Ø 5.5 mm Ø 0.217 in	2-2.5 Nm 17.7-22.1 lb.in

The connecting capacity data for one Rigid: solid/stranded, or one flexible conductor (when applicable) is a mandatory information required by IEC, UL and CSA standards (Copper conductors). All other data are provided as supplementary information only. For more details, please consult our CB, UL or CSA certificates and technical datasheet available on <http://www.TE.com>



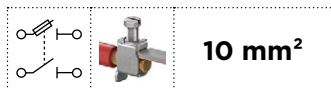
## Accessories

Description	Color	Type	Part Number	Pkg qty	Weight (1 pce) g
1 End stops	Dark grey	BAM4	ISNK900001R0000	50	14
2 Multi-Pole Assembly Kit for 2 poles (10 kits per Pkg)	Grey	VR-DL-2	ISNF100039R0000	10	25
Multi-Pole Assembly Kit for 3 poles (10 kits per Pkg)	Grey	VR-DL-3	ISNF100040R0000	10	36
3 Spacer 4.5 mm (50 kits per Pkg)	Grey	CR-DL-4.5	ISNF100041R0000	50	600
4 Fuse 10x38 mm	2 A	FUI03-2A	ISNA167076R2600	10	10
	4 A	FUI03-4A	ISNA167077R2700	10	10
	6 A	FUI03-6A	ISNA167078R0000	10	10
	10 A	FUI03-10A	ISNA167080R2700	10	10
	16 A	FUI03-16A	ISNA167082R1500	10	10
	25 A	FUI03-25A	ISNA167084R1700	10	10
5 Precut 12x5 mm self adhesive blank label for HTP600 Printer	32 A	FUI03-32A	ISNA167085R1000	10	10
	White	VYT0512	ISNA235837R0000	2 400	0.006



## DL10/18.SF.N - MODULAR FUSE HOLDER

For 10x38 mm fuses - 18 mm *0.708 in* spacing per module



### Description

- Protect your circuit with 10x38 modular fuse holder (fuse not supplied with the terminal blocks),
- Compliant with IEC 60269-2 and 60947-1 and 60947-3,
  - Compact design for space saving, easy access to the fuse, finger safe,
  - 1 pole + neutral integrated on the left side in the 18mm spacing.

### Ordering details

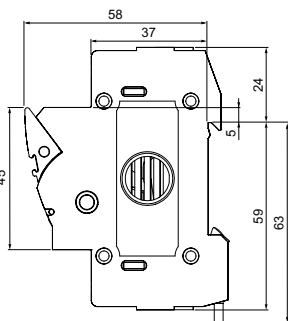
Description	Color	Type	Part Number	Pkg qty	Weight (1 pce) g
Modular Fuse Holder 10x38 mm 1 pole+Neutral	Grey	<input type="checkbox"/> DL10/18.SF.N	1SNF100037R0000	12	90



DL10/18.SF.N

### Main technical data

Connecting capacity	IEC	UL - CSA	Rail	Wire stripping length	Tool	Recommended torque
<b>Fuse Size</b>	10x38 mm		TH 35-75, TH 35-15	11 mm 0.433 in	PZ2 or Flat screwdriver Ø 5.5 mm Ø 0.217 in	0.8-1.2 Nm 7.08-10.62 lb.in
<b>1 conductor per clamp</b>	Rigid: Solid/Stranded, Flexible With non insulated ferrule With insulated ferrule	1.5 ... 10 mm <sup>2</sup> 1.5 ... 10 mm <sup>2</sup> 1.5 ... 10 mm <sup>2</sup>				
<b>2 conductors per clamp</b>	Rigid: Solid/Stranded, Flexible With non insulated ferrule With insulated ferrule	1 ... 10 mm <sup>2</sup> 1 ... 10 mm <sup>2</sup>				
<b>Rated current</b>	32 A					
<b>Rated voltage</b>	690 VAC					
<b>Short Circuit Current Rating SCCR DC</b>						
<b>Rated impulse withstand voltage</b>	4 kV					
<b>Protection</b>	IP20					
<b>Max. power dissipation of fuse links P<sub>n</sub></b>	3 W					
<b>Max. power dissipation</b>	3 W					
<b>Power dissipation of fuse-holder</b>	0.9 W					
<b>Utilisation category</b>	AC20B/DC20B					
<b>Voltage limit for blown fuse indicator</b>						
<b>Operating temperature with carrier operation</b>	-40°C to 70°C	-40°F to 158°F				
<b>Operating temperature without carrier operation</b>	-50°C to 90°C	-58°F to 194°F				
<b>Storage temperature</b>	-40°C to 70°C	-40°F to 158°F				



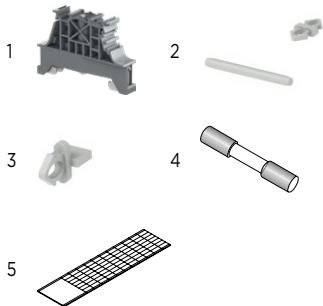
18 mm 0.708 in spacing



The connecting capacity data for one rigid: solid/stranded, or one flexible conductor (when applicable) is a mandatory information required by IEC, UL and CSA standards (Copper conductors). All other data are provided as supplementary information only. For more details, please consult our CB, UL or CSA certificates and technical datasheet available on <http://www.TE.com>  
\* for specific usage please contact us.

CE	RoHS													
CE	RoHS													

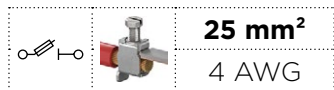
### Accessories



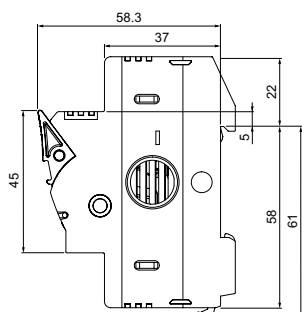
Description	Color	Type	Part Number	Pkg qty	Weight (1 pce) g
1 End stops	Dark grey	BAM4	1SNK900001R0000	50	14
2 Multi-Pole Assembly Kit for 2 poles (10 kits per Pkg)	Grey	VR-DL-2	1SNF100039R0000	10	25
Multi-Pole Assembly Kit for 3 poles (10 kits per Pkg)	Grey	VR-DL-3	1SNF100040R0000	10	36
3 Spacer 4.5 mm (50 kits per Pkg)	Grey	CR-DL-4.5	1SNF100041R0000	50	600
4 Fuse 10x38 mm					
		FU103-2A	1SNA167076R2600	10	10
		FU103-4A	1SNA167077R2700	10	10
		FU103-6A	1SNA167078R0000	10	10
		FU103-10A	1SNA167080R2700	10	10
		FU103-16A	1SNA167082R1500	10	10
		FU103-25A	1SNA167084R1700	10	10
		FU103-32A	1SNA167085R1000	10	10
5 Precut 12x5 mm self adhesive blank label for HTP600 Printer	White	VYT0512	1SNA235837R0000	2 400	0.006

# DL25/18.PV - MODULAR FUSE HOLDER

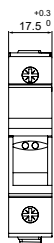
For 10x38 mm fuses Photovoltaic Application - 18 mm 0.708 in spacing per module



DL25/18.PV



18 mm 0.708 in spacing



## Description

- Protect your circuit with 10x38 modular fuse holder (fuse not supplied with the terminal blocks),
- Compliant with IEC 60269-1 and 60269-2 and UL 4248-1
  - Compact design for space saving, easy access to the fuse, finger safe,
  - Quickly identify the defective circuit thanks to the blown fuse indicator (400 V to 1000 V DC).

## Ordering details

Description	Color	Type	Part Number	Pkg qty	Weight (1 pce) g
Modular Fuse Holder 10x38 1 pole	Grey	<input type="checkbox"/> DL25/18.PV	ISNF100029R0000	12	52
Modular Fuse Holder 10x38 with blown fuse indicator 1 pole	Grey	<input type="checkbox"/> DL25/18.PVL	ISNF100030R0000	12	57

## Main technical data

Connecting capacity	IEC	UL - CSA
<b>Fuse Size</b>	10x38 mm	
<b>1 conductor per clamp</b>	Rigid: Solid/Stranded, Flexible	0.75 ... 25 mm <sup>2</sup> 18 ... 4 AWG
	With non insulated ferrule	0.75 ... 25 mm <sup>2</sup> 18 ... 4 AWG
	With insulated ferrule	0.75 ... 25 mm <sup>2</sup> 18 ... 4 AWG
<b>2 conductors per clamp</b>	Rigid: Solid/Stranded, Flexible	0.75 ... 10 mm <sup>2</sup> 18 ... 6 AWG
	With non insulated ferrule	0.75 ... 10 mm <sup>2</sup> 18 ... 6 AWG
	With insulated ferrule	0.75 ... 10 mm <sup>2</sup> 18 ... 6 AWG
<b>Rated current</b>	30 A	30 A
<b>Rated voltage</b>	1000 V DC	
<b>Short Circuit Current Rating SCCR DC</b>	33 kA	33 kA
<b>Rated impulse withstand voltage</b>	6 kV	
<b>Protection</b>	IP20	
<b>Max. power dissipation of fuse links Pn</b>	3 W	
<b>Max. power dissipation</b>	4 W	
<b>Power dissipation of fuse-holder</b>	0.4 W	
<b>Utilisation category</b>	AC20B/DC20B	
<b>Voltage limit for blown fuse indicator</b>	400 V to 1000 V DC	
<b>Operating temperature with carrier operation</b>	-40°C to 70°C	-40°F to 158°F
<b>Operating temperature without carrier operation</b>	-50°C to 90°C	-58°F to 194°F
<b>Storage temperature</b>	-40°C to 70°C	-40°F to 158°F

## Mounting instructions

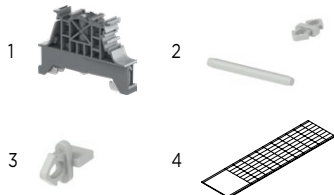
<b>Rail</b>		TH 35-75, TH 35-15
<b>Wire stripping length</b>		11 mm 0.433 in
<b>Tool</b>		PZ2 or Flat screwdriver Ø 5.5 mm Ø 0.217 in
<b>Recommended torque</b>		2-2.5 Nm 17.7-22.1 lb.in

The connecting capacity data for one rigid; solid/stranded, or one flexible conductor (when applicable) is a mandatory information required by IEC, UL and CSA standards (Copper conductors). All other data are provided as supplementary information only. For more details, please consult our CB, UL or CSA certificates and technical datasheet available on <http://www.TE.com> \* for specific usage please contact us.

--	--	--	--

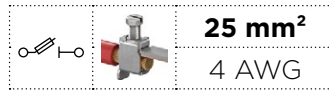
## Accessories

Description	Color	Type	Part Number	Pkg qty	Weight (1 pce) g
1 End stops	Dark grey	<input checked="" type="checkbox"/> BAM4	ISNK900001R0000	50	14
2 Multi-Pole Assembly Kit for 2 poles (10 kits per Pkg)	Grey	<input type="checkbox"/> VR-DL-2	ISNF100039R0000	10	25
Multi-Pole Assembly Kit for 3 poles (10 kits per Pkg)	Grey	<input type="checkbox"/> VR-DL-3	ISNF100040R0000	10	36
3 Spacer 4.5 mm (50 kits per Pkg)	Grey	<input type="checkbox"/> CR-DL-4.5	ISNF100041R0000	50	600
4 Precut 12x5 mm self adhesive blank label for HTP600 Printer	White	<input type="checkbox"/> VYT0512	ISNA235837R0000	2 400	0.006



## DL25/22.5.PV - MODULAR FUSE HOLDER

For 10x85 mm fuses Photovoltaic Application - 22.5 mm 0.885 in spacing per module



### Description

- Protect your circuit with 10x85 modular fuse holder (fuse not supplied with the terminal blocks),
- Compliant with IEC 60269-1 and 2, 1500VDC
  - Compact design for space saving, easy access to the fuse, finger safe.

### Ordering details

Description	Color	Type	Part Number	Pkg qty	Weight (1 pce)
Modular Fuse Holder 10x85	1 pole	Grey <input type="checkbox"/>	DL25/22.5.PV	1SNF100038R0000	5 92

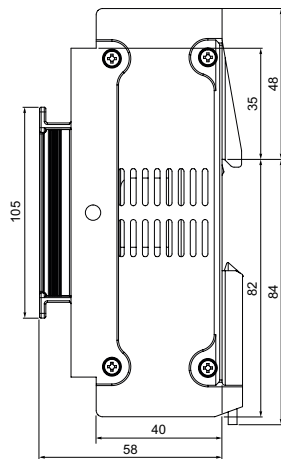
### Main technical data

Connecting capacity	IEC	UL - CSA	Rail	Wire stripping length	Tool	Recommended torque
<b>Fuse Size</b>	10x38 mm		TH 35-75, TH 35-15	11 mm	PZ2 or Flat screwdriver	2-2.5 Nm
<b>1 conductor per clamp</b>	Rigid: Solid/Stranded, Flexible With non insulated ferrule With insulated ferrule	0.75 ... 25 mm <sup>2</sup> 0.75 ... 25 mm <sup>2</sup> 0.75 ... 25 mm <sup>2</sup>	18 ... 4 AWG 18 ... 4 AWG 18 ... 4 AWG	0.433 in		Ø 5.5 mm Ø 0.217 in
<b>2 conductors per clamp</b>	Rigid: Solid/Stranded, Flexible With non insulated ferrule With insulated ferrule	0.75 ... 10 mm <sup>2</sup> 0.75 ... 10 mm <sup>2</sup>	18 ... 6 AWG 18 ... 6 AWG			
<b>Rated current</b>	32 A	30 A				
<b>Rated voltage</b>	1000VAC/ 1500VDC	1500 V DC				
<b>Short Circuit Current Rating SCCR DC</b>	15 kA	15 kA				
<b>Rated impulse withstand voltage</b>	8 kV					
<b>Protection</b>	IP20					
<b>Max. power dissipation of fuse links Pn</b>	6 W					
<b>Max. power dissipation</b>	6 W					
<b>Power dissipation of fuse-holder</b>	0.3 W					
<b>Operating temperature with carrier operation</b>	-5°C to 70°C	23°F to 158°F				
<b>Operating temperature without carrier operation</b>	-25°C to 90°C	-13°F to 194°F				
<b>Storage temperature</b>	-25°C to 70°C	-13°F to 158°F				

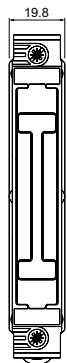
### Mounting instructions



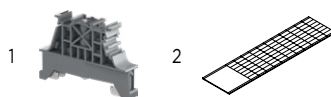
DL25/22.5.PV



22.5 mm 0.885 in spacing



The connecting capacity data for one rigid: solid/stranded, or one flexible conductor (when applicable) is a mandatory information required by IEC, UL and CSA standards (Copper conductors). All other data are provided as supplementary information only. For more details, please consult our CB, UL or CSA certificates and technical datasheet available on <http://www.TE.com> \* for specific usage please contact us.

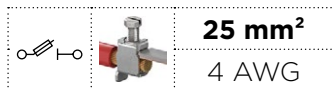


### Accessories

Description	Color	Type	Part Number	Pkg qty	Weight (1 pce)
1 End stops	Dark grey <input checked="" type="checkbox"/>	BAM4	1SNK900001R0000	50	14
2 Precut 12x5 mm self adhesive blank label for HTP600 Printer	White <input type="checkbox"/>	VYT0512	1SNA235837R0000	2 400	0.006

# DL25/18.CC - MODULAR FUSE HOLDER

For Class CC fuses - 18 mm 0.708 in spacing per module



## Description

- Protect your circuit with CC modular fuse holder (fuse not supplied with the terminal blocks),
- Compliant with UL248-4 and CSA,
  - Compact design for space saving, easy access to the fuse, finger safe,
  - Quickly identify the defective circuit thanks to the blown fuse indicator (110 to 600 V AC-DC).

## Ordering details

Description	Color	Type	Part Number	Pkg qty	Weight (1 pce)
Modular Fuse Holder CC	Grey	DL25/18.SF.CC.1	ISNF100031R0000	12	55
	Grey	DL25/18.SF.CC.2	ISNF100033R0000	6	113
	Grey	DL25/18.SF.CC.3	ISNF100035R0000	4	170
Modular Fuse Holder CC with blown fuse indicator	Grey	DL25/18.SFL.CC.1	ISNF100032R0000	12	62
	Grey	DL25/18.SFL.CC.2	ISNF100034R0000	6	123
	Grey	DL25/18.SFL.CC.3	ISNF100036R0000	4	185



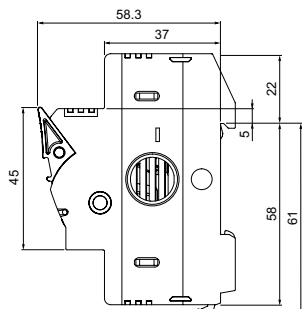
DL25/18.CC

## Main technical data

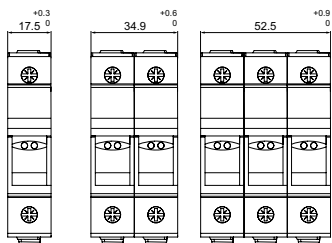
Connecting capacity	IEC	UL - CSA
Fuse Size	Class CC	
1 conductor per clamp	Rigid: Solid/Stranded, Flexible	0.75 ... 25 mm <sup>2</sup> 18 ... 4 AWG
	With non insulated ferrule	0.75 ... 25 mm <sup>2</sup> 18 ... 4 AWG
	With insulated ferrule	0.75 ... 25 mm <sup>2</sup> 18 ... 4 AWG
2 conductors per clamp	Rigid: Solid/Stranded, Flexible	0.75 ... 10 mm <sup>2</sup> 18 ... 6 AWG
	With non insulated ferrule	0.75 ... 10 mm <sup>2</sup> 18 ... 6 AWG
	With insulated ferrule	0.75 ... 10 mm <sup>2</sup> 18 ... 6 AWG
Rated current	30 A	30 A
Rated voltage	600 V AC/DC	
Short Circuit Current Rating SCCR AC/DC	200 kA	200 kA
Rated impulse withstand voltage	6 kV	
Protection	IP20	
Max. power dissipation of fuse links Pn	3 W	
Max. power dissipation	4 W	
Power dissipation of fuse-holder	0.4 W	
Utilisation category	AC20B/DC20B	
Voltage limit for blown fuse indicator	100 V to 600 V AC/DC	
Operating temperature with carrier operation	-40°C to 70°C	-40°F to 158°F
Operating temperature without carrier operation	-50°C to 90°C	-58°F to 194°F
Storage temperature	-40°C to 70°C	-40°F to 158°F

## Mounting instructions

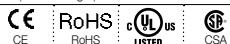
Rail		TH 35-75, TH 35-15
Wire stripping length		11 mm 0.433 in
Tool		P22 or Flat screwdriver Ø 5.5 mm Ø 0.217 in
Recommended torque		2-2.5 Nm 17.7-22.1 lb.in



18 mm 0.708 in spacing

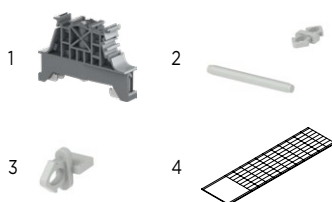


The connecting capacity data for one rigid: solid/stranded, or one flexible conductor (when applicable) is a mandatory information required by IEC, UL and CSA standards (Copper conductors). All other data are provided as supplementary information only. For more details, please consult our CB, UL or CSA certificates and technical datasheet available on <http://www.TE.com> \* for specific usage please contact us.



## Accessories

Description	Color	Type	Part Number	Pkg qty	Weight (1 pce)
1 End stops	Dark grey	BAM4	ISNK900001R0000	50	14
2 Multi-Pole Assembly Kit for 2 poles (10 kits per Pkg)	Grey	VR-DL-2	ISNF100039R0000	10	25
Multi-Pole Assembly Kit for 3 poles (10 kits per Pkg)	Grey	VR-DL-3	ISNF100040R0000	10	36
3 Spacer 4.5 mm (50 kits per Pkg)	Grey	CR-DL-4.5	ISNF100041R0000	50	600
4 Precut 12x5 mm self adhesive blank label for HTP600 Printer	White	VYT0512	ISNA235837R0000	2 400	0.006







## Connect With Us

We make it easy to connect with our experts and are ready to provide the support you need. Visit [te.com/support](https://te.com/support) to chat with a Product Information Specialist.

## te.com

© 2024 TE Connectivity Ltd. family of companies. All Rights Reserved.

ENTRELEC, TE Connectivity, TE connectivity (logo) and Every Connection Counts are trademarks. All other logos, products and/or company names referred to herein might be trademarks of their respective owners.

While TE has made every reasonable effort to ensure the accuracy of the information in this brochure, TE does not guarantee that it is error-free, nor does TE make any other representation, warranty or guarantee that the information is accurate, correct, reliable or current. TE reserves the right to make any changes to the information contained herein without prior notice. TE Connectivity assumes only those obligations set forth in the terms and conditions for this product and shall in no event be liable for any incidental, indirect, or consequential damages arising out of the sale, resale, use, or misapplication of the product. TE expressly disclaims any implied warranties with respect to the information contained herein, including, but not limited to, implied warranties of merchantability or fitness for a particular purpose. Dimensions, specifications and/or information contained herein are for reference purposes only and are subject to change without notice. Consult TE for the latest dimensions, specifications and/or information. Users of TE Connectivity products must make their own assessment as to whether the respective product is suitable for the respective desired application.

INDUSTRIAL / MODULAR FUSE HOLDERS / BROCHURE / EN

07/24

## BROCHURE

TE Connectivity

EUROPARC - Bat. 9  
9, rue Irène Joliot-Curie  
69800 Saint-Priest

France