

Accessories

PROTECTIV CAP, SMA, Ohm, jack (female)

62_SMA-0-0-1/-11_N

Properties

- Easy to work with
- Available for plug(male) and jack(female) connectors

**General data**

Weight	0.0035 kg
Operation temperature	165 °C

Ordering Information Table

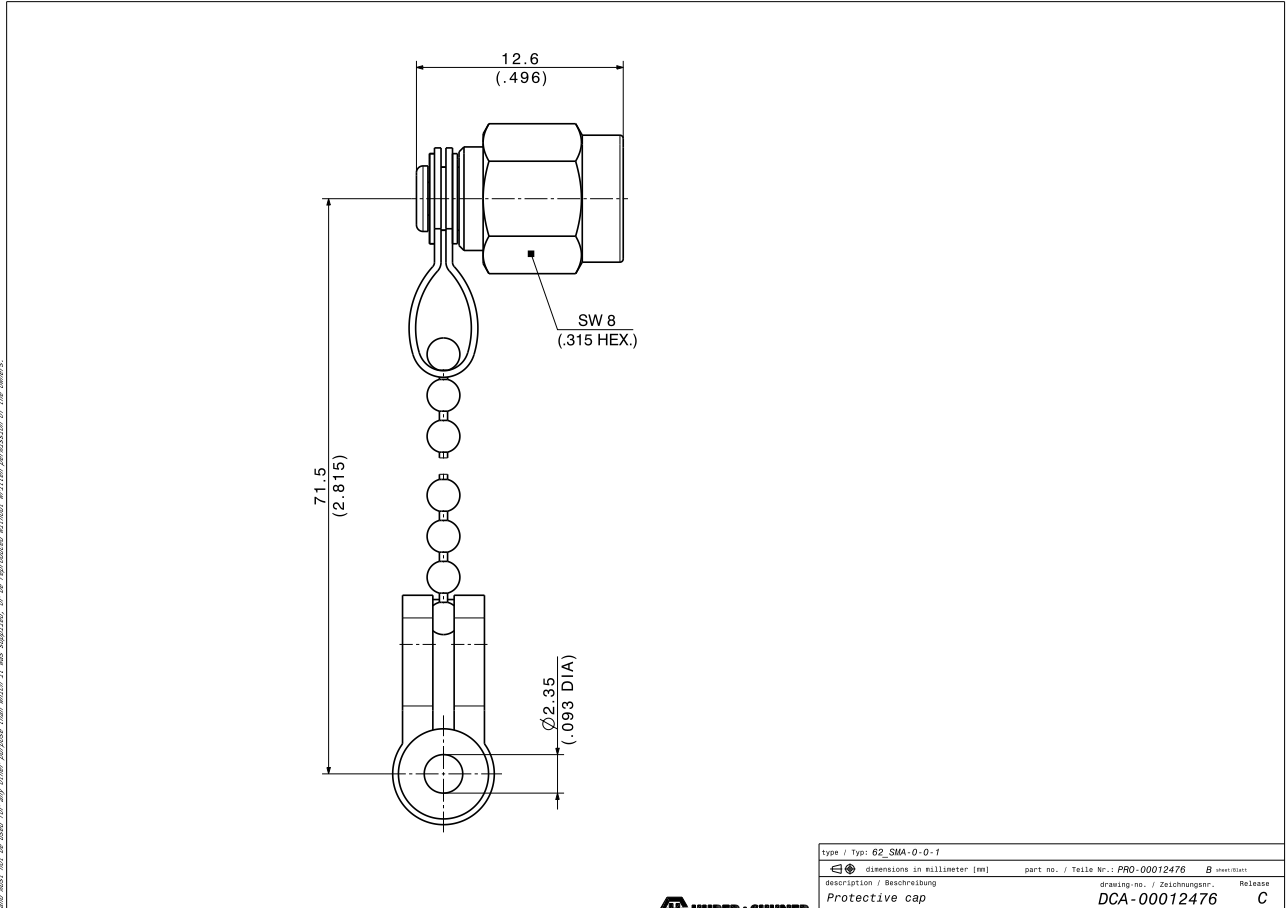
Item number	Item description
22640159	62_SMA-0-0-1/-11_NE

Accessories

PROTECTIV CAP, SMA, Ohm, jack (female)

62_SMA-0-0-1/-11_N

Catalogue drawing



HUBER+SUHNER is certified by ISO 9001, ISO 14001, ISO 45001, IATF 16949, AS/EN 9100 and ISO/TS 22163-IRIS. Waiver: Facts and figures herein are for information only and do not represent any warranty of any kind. DOCUMENT PIM-P1796 / Date of publication: 20.06.2024 / uncontrolled copy