

USB C female to male tailed socket:



USB C female to male tailed socket (KUCCbk20, KUCCwh20):

Our USB C female to male tailed socket is an ideal solution for transmitting power and data. Designed to fit industry standard keystone patch panels, faceplate adaptors or surface mount boxes

Features:

- Single wired connection transmits at twice the speed as USB 3.0 connectors (10 Gbps vs 5 Gbps)
- Standard profile keystones offered in black and white
- Suitable for use in keystone patch panels, faceplates or surface mount boxes
- Compact and robust; angled tail allows for minimal intrusion
- Current rating: 5A

Specifications:

- Net weight (including primary packaging): 22 g
- Dimensions: 200 x 33.67 x 16.30mm
- Colour: black or white socket with black tailed plug
- Materials:
 - Socket: ABS UL94V0
 - Tail: PVC UL2725

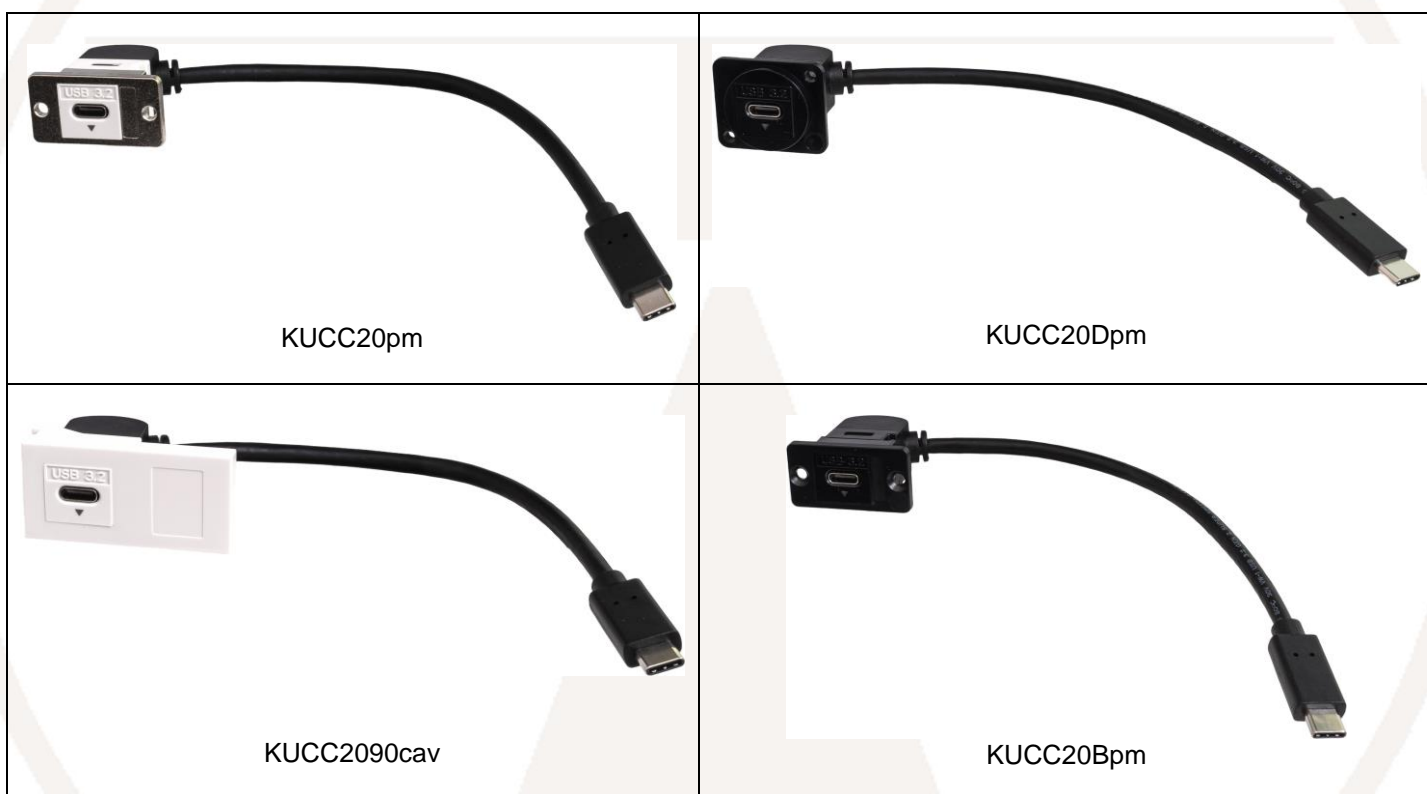
Packaging: Packed in individual poly bags then in bags of 20

Commodity code: 85444920

EAN: KUCCbk20: 5055386511119
KUCCwh20: 5055386511126
KUCC20pm: 5055386512895
KUCC20Dpm: 5055386512901
KUCC20Bpm: 5055386512918
KUCC2090cav: 5055386512925

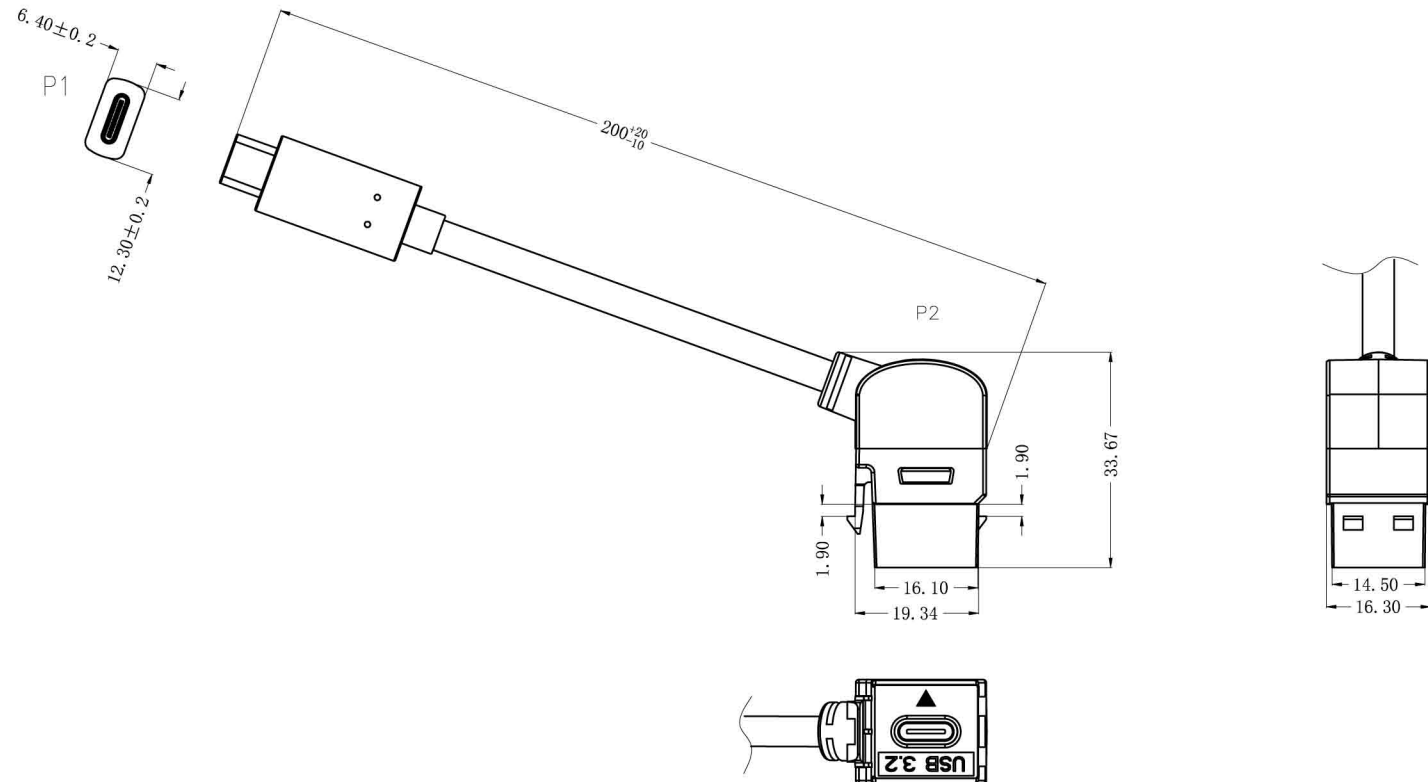
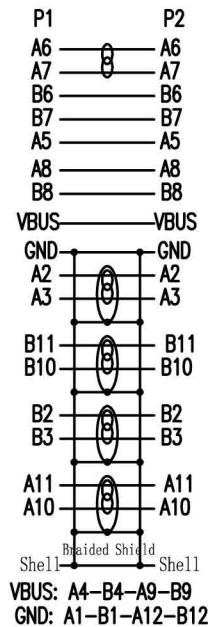
Country of Origin: China

Illustrative images:



ROHS Compliant

Circuit Configuration



Electrical Specification

Insulation Resistance: 10MΩ

Voltage Proof: DC300V/0.01S

Contact Resistance: 3Ω

Current Rating: MAX 100W(20V/5A)