



TAOGLAS®



Datasheet

Part No:
WMB.9XX.A

Description

Wall Mount Bracket for Guardian Series

Features:

Wall Mount

Dimensions: 54 x 150 x 24mm

RoHS & REACH Compliant

1.	Introduction	2
2.	Specification	2
3.	Mechanical Drawing	4
4.	Packaging	5
<hr/>		
	Changelog	6

Taoglas makes no warranties based on the accuracy or completeness of the contents of this document and reserves the right to make changes to specifications and product descriptions at any time without notice. Taoglas reserves all rights to this document and the information contained herein. Reproduction, use or disclosure to third parties without express permission is strictly prohibited.



1. Introduction



The Taoglas WMB.9XX.A is a robust wall mount bracket, designed for secure installation of the Guardian Series where wall mounting is the preferred method of mounting the antenna. All Taoglas Guardian Series of products can be used with this bracket allowing it to be mounted on flat. The product is available in both Black and White to suit all standard Taoglas Guardian products.

Contact your regional Taoglas customer support team for further information.

2. Specification

Mechanical	
Dimensions	54 x 150 x 24mm
Material	Antenna: ASA/PW-978B Screws : SUS304 Wall Mount Studs : Nylon
Bracket weight	16g

Environmental	
Operation Temperature	-40°C ~ +85°C
Storage Temperature	-40°C ~ +85°C

3. Mechanical Drawing

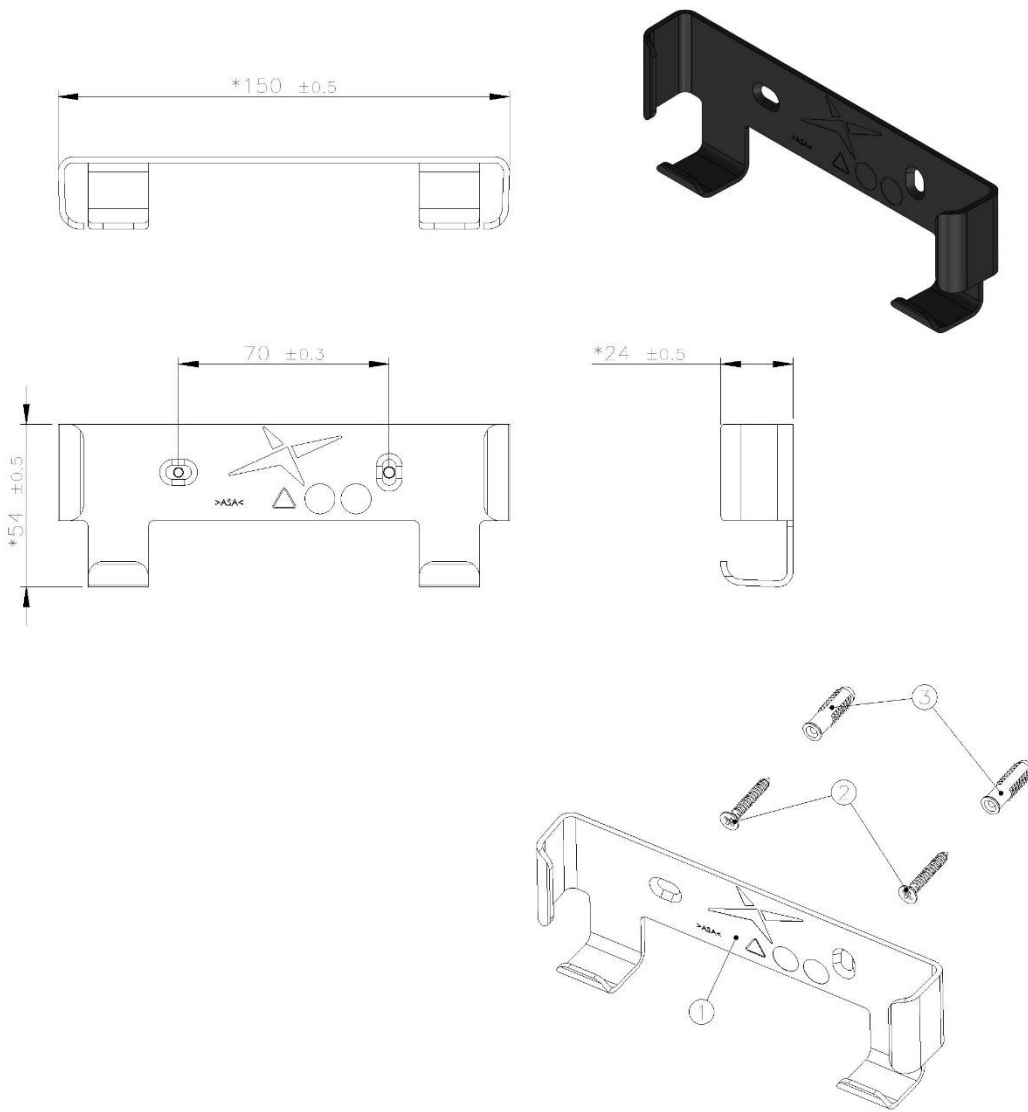
ISO NO.: EDW.001824

STATE: Release

NOTES:

1. All material must be RoHS compliant.
2. Use this drawing together with the corresponding 3D CAD database file to fully describe the part.
3. The connector orientation has a fixed position to the antenna as per drawing.
 *** Critical Dimensions.***

REV	ZONE	DESCRIPTION	ENG	APPROVED	DATE
△	All	Initial design	Aron	Chozen	2024/3/12



	Name	Material	Finish	Qty
1	Wall Mounting Bracket	ASA/PW-978B	Black	1
2	Tapping Screw, M3.5*25 countersunk flat	SUS304	N/A	2
3	Wall Mount Stud 6*24L	Nylon	White	2

APPROVED BY: Chozen	 TAOGLAS TW Design Centre <small>This drawing is Taoglas Confidential information and is the sole property of Taoglas. This is not to be copied or shared with third parties without the prior written consent of Taoglas.</small>
CHECK BY: Aron	
DRAWN BY: Aron	TITLE: Wall Mount Black Bracket for Guardian Series
DATE: 2024/3/12	PART NO.: WMB.9XX.A
UNLESS OTHERWISE SPECIFIED TOLERANCES ARE: HOLE: ±0.5 DIM: ±0.3 DIM: ±0.1 DIM: ±0.05	UNIT: mm SCALE: 1:2 PAGES: 1/1 REV: D01
THIRD ANGLE PROJECTION	

4. Packaging

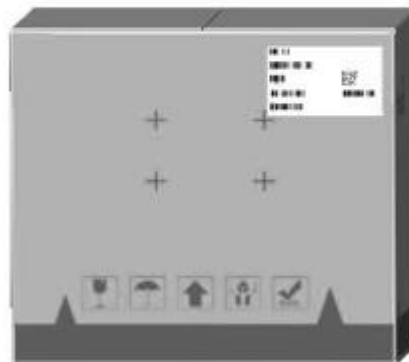
1pcs WMB.9XX.A per PE bag
 Bag dimensions – 260x100mm
 Weight – 20g



1pcs WMB.9XX.A per box
 Box dimensions – 170x85x35mm
 Weight – 40g



128 pcs per carton
 Carton dimensions – 735x370x295mm
 Weight – 5.3Kg



Changelog for the datasheet

SPE-24-8-064 – WMB.9XX.A

Revision: A (Initial Release)

Date: 2024-03-27

Changes: Initial Release

Changes Made by: Gary West

Previous Revisions



www.taoglas.com

