



# ED-GW1302S

## LORAWAN GATEWAY MODULE

SX1302 + SX1250, MINI PCIE, SPI, US915 / EU868

EDA TECHNOLOGY CO.,LTD



## Highlight

- ◆ Mini PCIe form factor with SPI interfaces
- ◆ Powered by Semtech® SX1302 baseband processor
- ◆ Ultra-low operating temperature without additional heat dissipation needed
- ◆ High sensitivity with Semtech® SX1250 TX/RX front-end; TX power up to 25 dBm @3.3V
- ◆ Supports global license-free frequency band including EU868, US915, AS923, AU915, KR920 and IN865
- ◆ Certified with CE, FCC



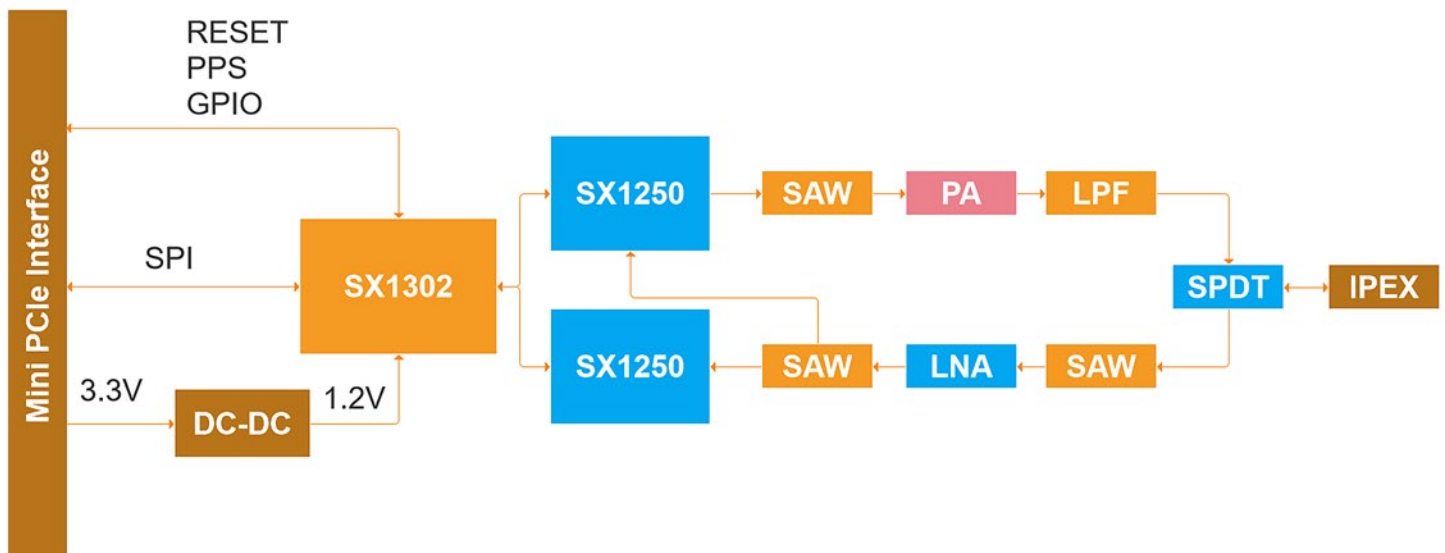
## Introduction

ED-GW1302S module is a new generation of LoRaWAN gateway module in mini-PCIe form-factor with SPI interfaces based on Semtech® SX1302 and SX1250. It features extremely low power consumption, outstanding performance with CE, FCC certified.

ED-GW1302S LoRaWAN gateway module support both US915 and EU868 frequency bands, enable you to have a wide-range of LoRaWAN frequency plans options to choose including EU868, US915, AS923, AS920, AU915, KR920, and IN865.

ED-GW1302S is designed for M2M and IoT applications and can be widely applied in LPWAN gateway supported scenarios. It would be a perfect choice for you to significantly reduce the technical difficulties and time-consumption when developing the LoRa gateway devices, including LoRaWAN gateway, miner hotspots, etc.

## Block Diagram

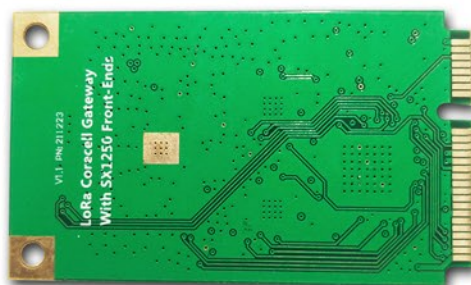


# Interface Diagram



# Pinout

RESERVED	1
NC	3
NC	5
NC	7
GND	9
RESERVED	11
RESERVED	13
GND	15
NC	17
PPS	19
GND	21
RESERVED	23
NC	25
GND	27
GND	29
RESERVED	31
NC	33
GND	35
GND	37
VCC_3V3	39
VCC_3V3	41
GND	43
SX_SCK	45
SX_MISO	47
SX_MOSI	49
SX_CSN	51



2	VCC_3V3
4	GND
6	NC
8	NC
10	RESERVED
12	RESERVED
14	NC
16	NC
18	GND
20	NC
22	NRESET
24	VCC_3V3
26	GND
28	NC
30	NC
32	NC
34	GND
36	RESERVED
38	RESERVED
40	GND
42	RX_ON
44	TX_ON
46	CFG_ON
48	NC
50	GND
52	VCC_3V3

## Pinout Interfaces

**Power Supply** – This module must be supplied through the VCC\_3V3 pins by a DC power

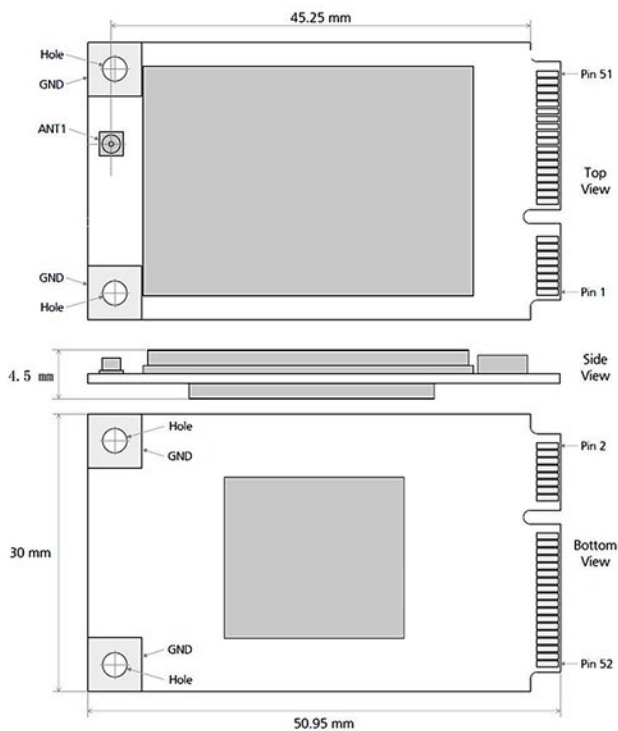
**SPI Interfaces** – It's SPI slave side and gives access to the configuration registers of SX1302

**GPS-PPS** – This module includes the GPS\_PPS input for received packets time-stamped and Fine timestamp

**RESET** – It includes the RESET active-high input signal to reset the radio operations as specified by the SX1302 Specification

**Antenna RF Interface** – The module have one RF interface over a standard UFL connector, The RF port supports both Tx and Rx, providing the antenna interface

## Dimension Unit:mm



## Environmental Requirements

Parameter	Min	Type	Max
Operating Temperature	-40°C	25°C	85°C

## Supporting Frequencies

Region	Frequency(MHz)
Europe	EU868
North America	US915
Asia	AS923
Australia	AU915
Korea	KR920
India	IN865

## Ordering Code

Code	Product Description
ED-GW1302S-915M	US915
ED-GW1302S-868M	EU868

## Optional Antenna



## Contact Information

If you have any technical problems, please contact:

Support:support@edatec.cn

Business related, such as Quotation, Product Customization, please contact:

Sales:sales@edatec.cn

Web:www.edatec.cn

Tel / Mobile / Fax:+86-18621560183

