



12V 1A AC/DC Adapter

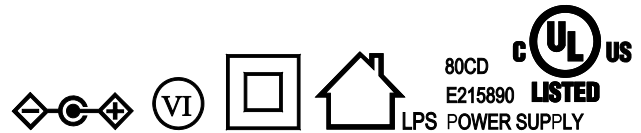
ED-PSU1201-US

EDA TECHNOLOGY CO.,LTD

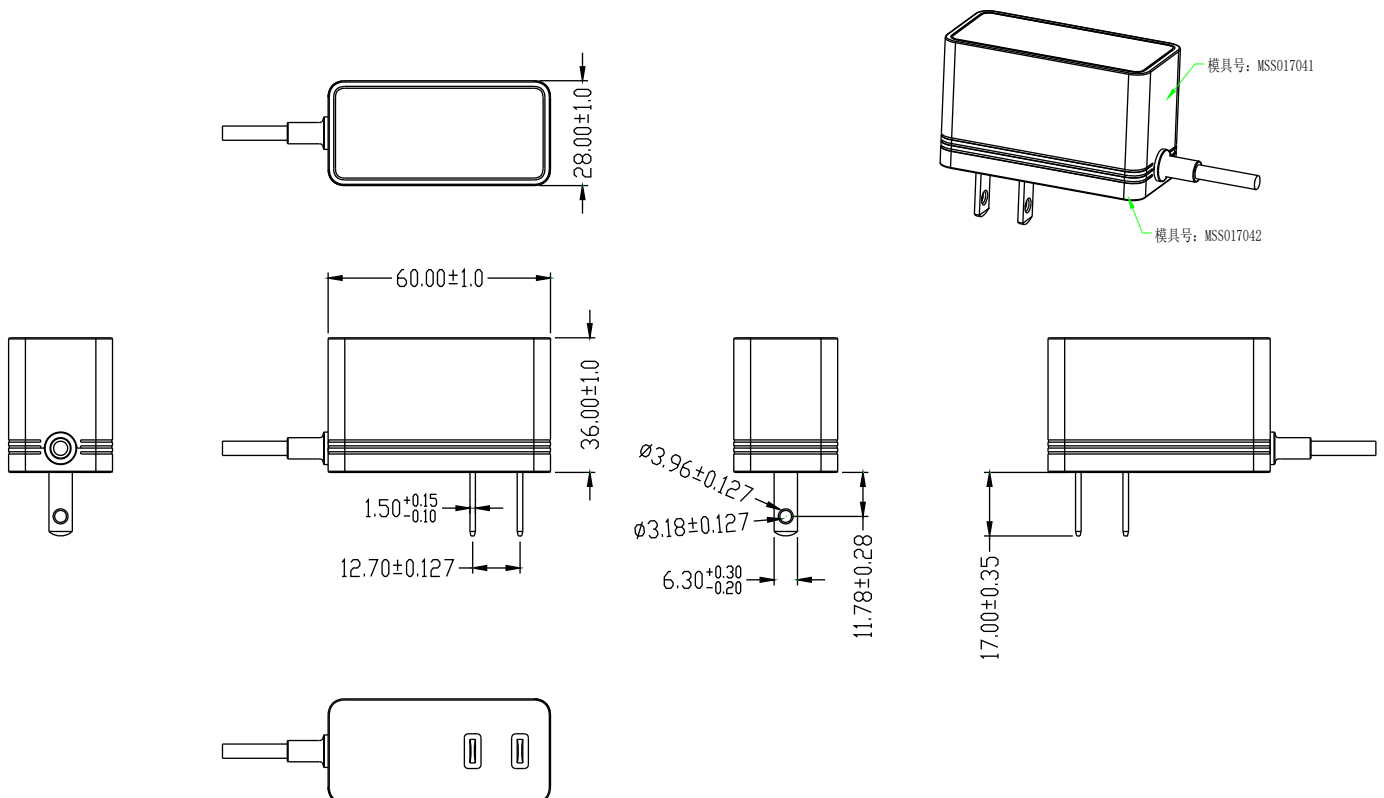


Features:

- 100-240VAC 50/60Hz Input
- 12.0VDC 1.0A Output
- 12.0W Maximum Output Power
- Over-voltage, Short-circuit & Overcurrent Protection
- 1.5M 24 AWG Power Cable
- 5.5*2.5*9.5mm DC Plug
- Certified by UL, CUL
- 0~40°C Operating Temperature



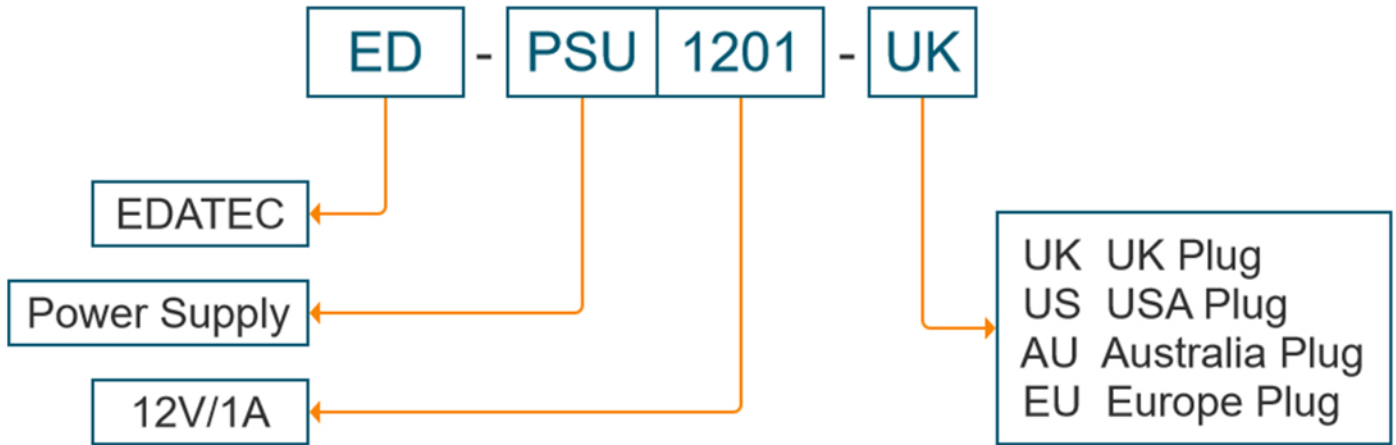
APPEARANCE DRAWING: (UNIT: MM)



INPUT & OUTPUT REQUIREMENTS

INPUT REQUIREMENTS	
Rated input voltage	100-240Vac
Operating range	90-264Vac
Rated input frequency	50/60Hz +/- 3Hz
Rated input current	0.4A max.
Power consumption (no-loading)	0.1W max.
Primary current protection	An adequate internal fuse on the AC input line is provided.
Configuration	2 Conductor
AC Inrush Current	No damage shall be occurred and the input fuse shall not be blown up nominal input voltage full load 25°C cold start.
OUTPUT REQUIREMENTS	
Nominal DC output voltage	+12.0V
Minimum load current	0.01A
Rating load current	1.0A
Peak load current	/
Rating output power	12.0W
Line regulation	The line regulation is less than $\pm 5\%$ while measuring at rated load and $\pm 10\%$ of input voltage changing.
Load regulation	The load regulation for +12.0V is less than $\pm 5\%$, at measured output load from 10% to 100% rated load.
Peak load regulation	The peak load regulation for +12.0V is less than / , at measured output load from 30% to 100% rated load.
Ripple and noise	120 mVp-p
	Add 0.1uF/50V ceramic capacitor and 10uF/50V aluminum electrolytic capacitor across the output terminal. Measured with 20MHz Bandwidth Oscilloscope.
Average efficiency	82.96% minimum
	115V/60Hz and 230V/50Hz, output current from 100%, 75%, 50%, 25%.
Turn on delay time	3000 mS max. at nominal input AC voltage and full load
Rise time	The supply shall have a start-up rise time of less than 20mS to rise to within regulation limits for all DC outputs.
Hold up time	8 mS minimum at nominal input 100V AC minimum voltage and full load.
Output over-shoot	Less than 7% of nominal voltage value.
LED indication function	/
Protection function	Short-circuit protection: The adapter shall not be damaged by short the DC output to Ground. The adapter shall resume normal operation when a short circuited fault condition is removed.
	Over current protection: The output shall be protected against the over current conditions.

Ordermation Information



Example

Part# : ED-PSU1201-UK
Configuration : 12V/1A, Black, UK Plug

Contact Information

If you have any technical problems, please contact:

Support: support@edatec.cn

Business related, such as Quotation, Product Customization, please contact:

Sales: sales@edatec.cn

Web: www.edatec.cn

