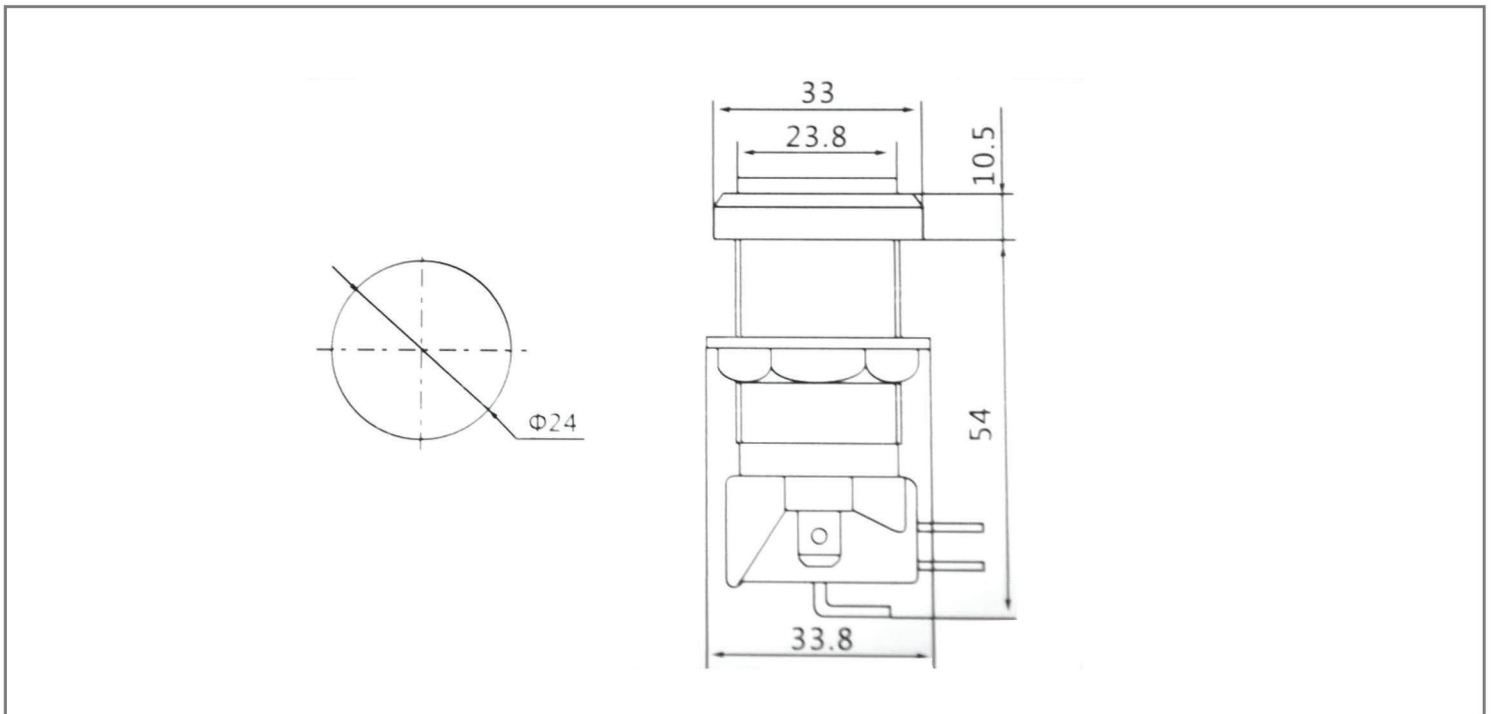


RJS-GME1

RJS Part	LED Colour	Picture
RJS-GME1-R-12V-D	Red	
RJS-GME1-G-12V-D	Green	
RJS-GME1-B-12V-D	Blue	
RJS-GME1-Y-12V-D	Yellow	
RJS-GME1-W-12V-D	White	

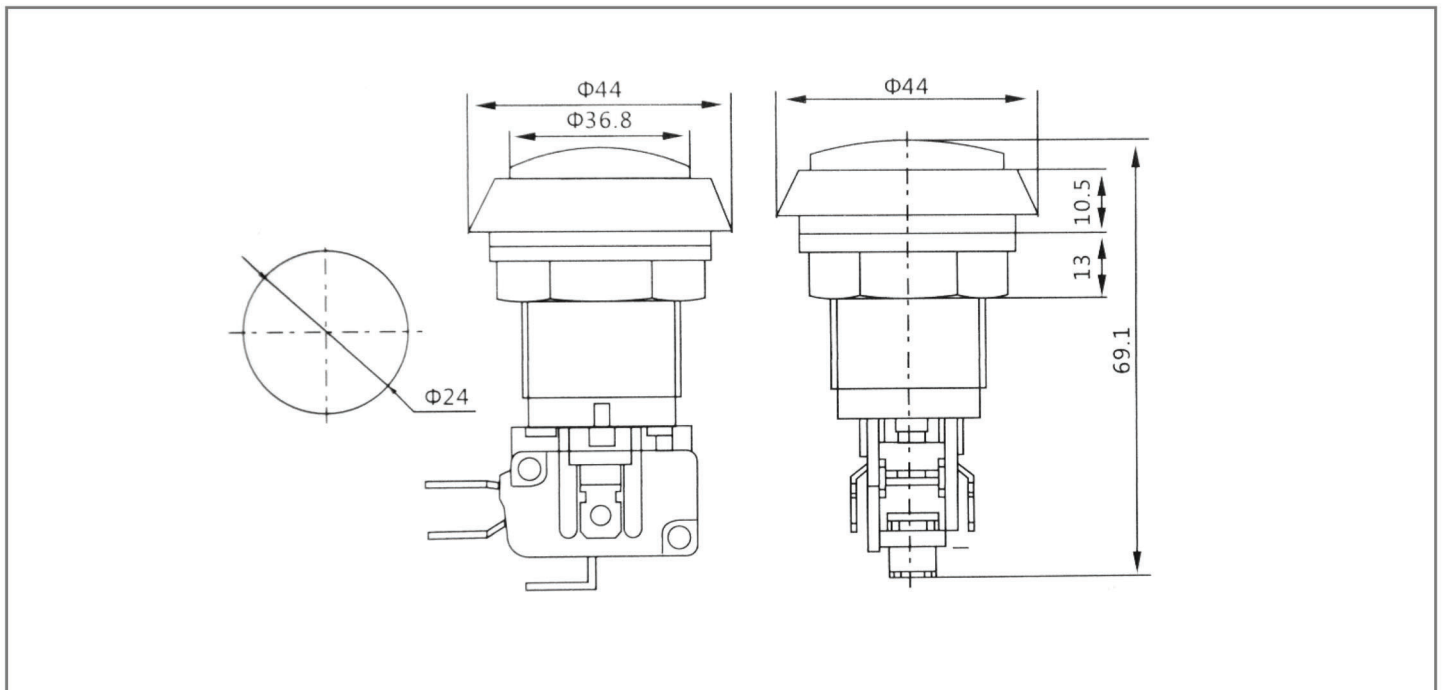
Rating:	5A 250VAC	Contact Resistance:	≤30mΩ
Electrical Life:	≥ 10,000 Cycles	Function:	OFF-(ON)
Dielectric strength:	1500VAC 1 minute	Operating Temperature:	-25°C~+85°C
Insulation Resistance:	100mΩ min (500VDC)	OEM or ODM:	Available




RJS-GME2

RJS Part	LED Colour	Picture
RJS-GME2-R-12V-D	Red	
RJS-GME2-G-12V-D	Green	
RJS-GME2-B-12V-D	Blue	
RJS-GME2-Y-12V-D	Yellow	
RJS-GME2-W-12V-D	White	

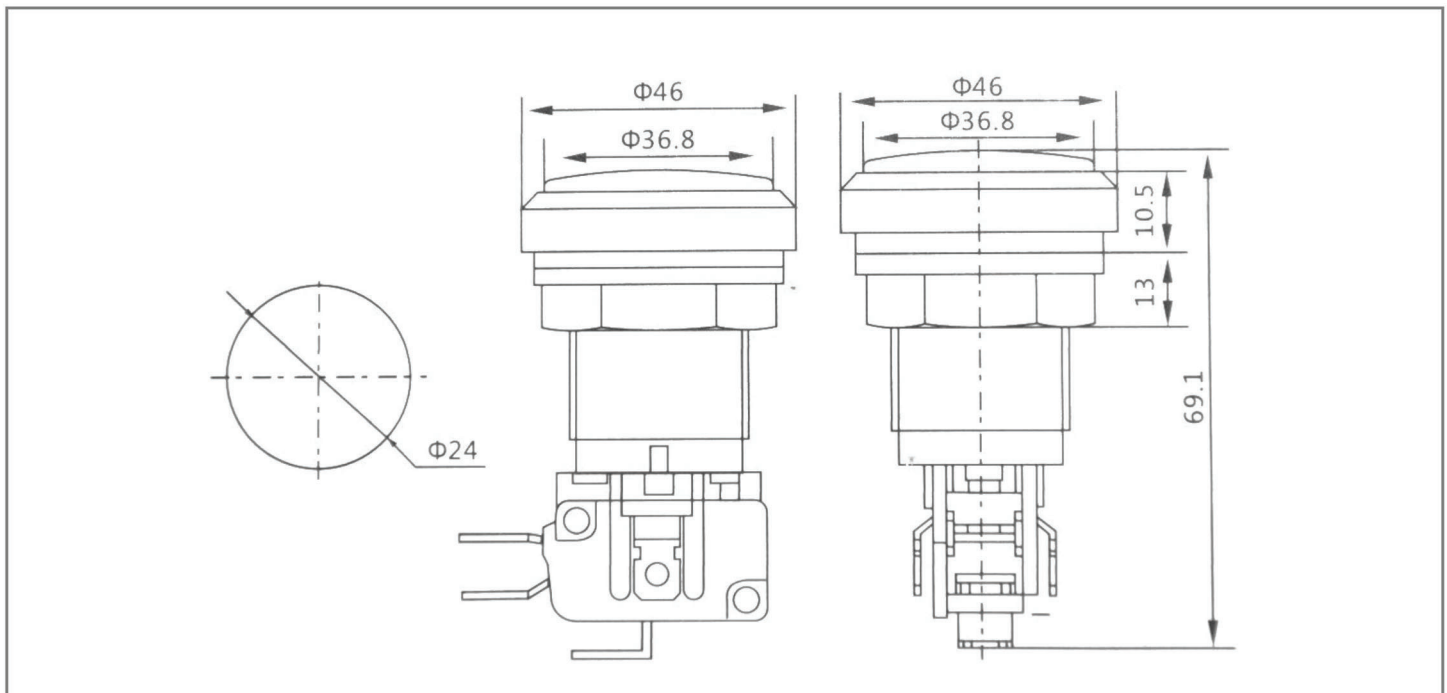
Rating:	5A 250VAC	Contact Resistance:	≤30mΩ
Electrical Life:	≥ 10,000 Cycles	Function:	OFF-(ON)
Dielectric strength:	1500VAC 1 minute	Operating Temperature:	-25°C~+85°C
Insulation Resistance:	100mΩ min (500VDC)	OEM or ODM:	Available



RJS-GME3

RJS Part	LED Colour	Picture
RJS-GME3-R-12V-D	Red	
RJS-GME3-G-12V-D	Green	
RJS-GME3-B-12V-D	Blue	
RJS-GME3-Y-12V-D	Yellow	
RJS-GME3-W-12V-D	White	

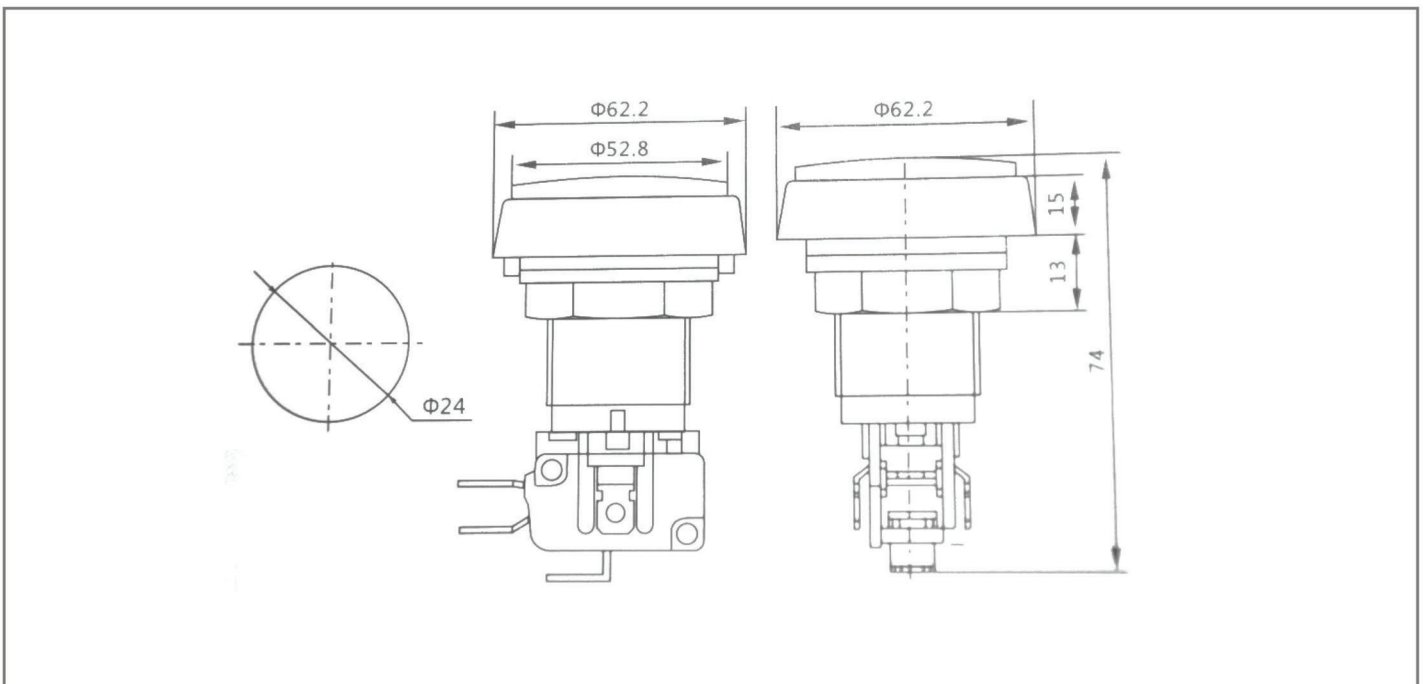
Rating:	5A 250VAC	Contact Resistance:	≤30mΩ
Electrical Life:	≥ 10,000 Cycles	Function:	OFF-(ON)
Dielectric strength:	1500VAC 1 minute	Operating Temperature:	-25°C~+85°C
Insulation Resistance:	100mΩ min (500VDC)	OEM or ODM:	Available



RJS-GME4

RJS Part	LED Colour	Picture
RJS-GME4-R-12V-D	Red	
RJS-GME4-G-12V-D	Green	
RJS-GME4-B-12V-D	Blue	
RJS-GME4-Y-12V-D	Yellow	
RJS-GME4-W-12V-D	White	

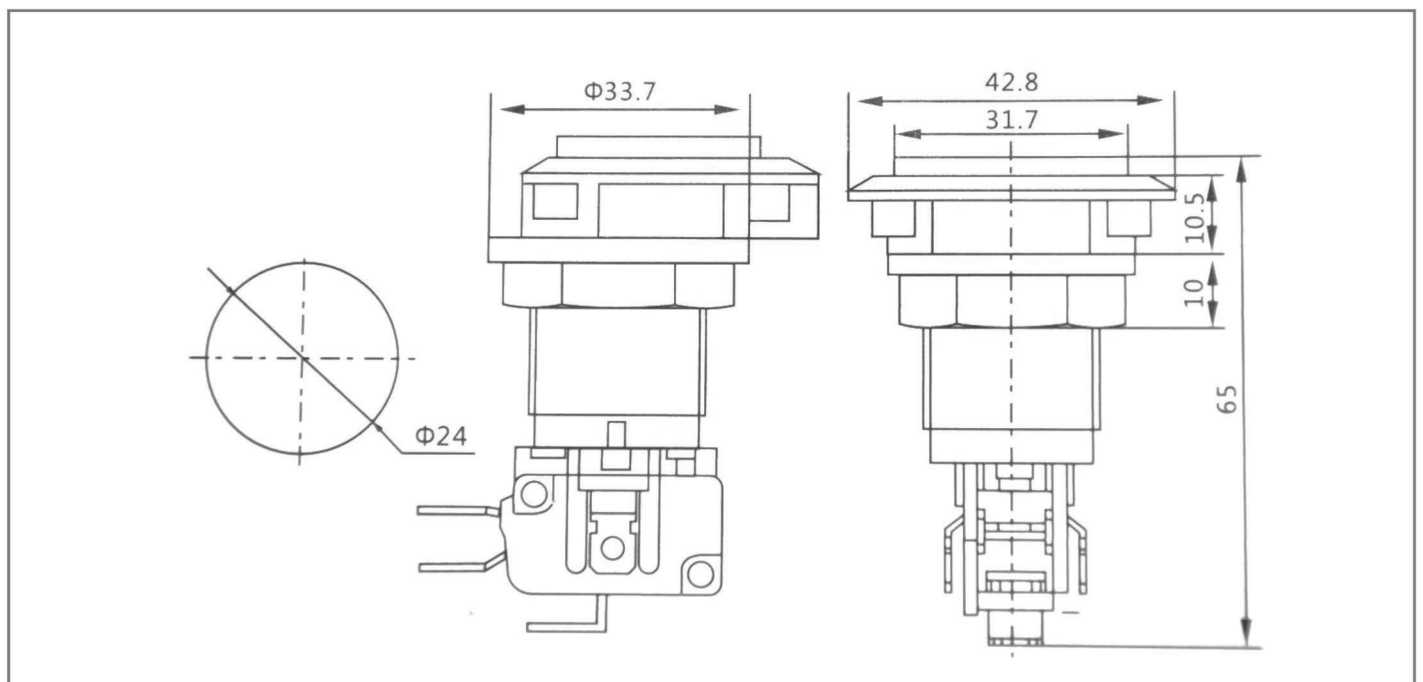
Rating:	5A 250VAC	Contact Resistance:	≤30mΩ
Electrical Life:	≥ 10,000 Cycles	Function:	OFF-(ON)
Dielectric strength:	1500VAC 1 minute	Operating Temperature:	-25°C~+85°C
Insulation Resistance:	100mΩ min (500VDC)	OEM or ODM:	Available




RJS-GME5

RJS Part	LED Colour	Picture
RJS-GME5-R-12V-D	Red	
RJS-GME5-G-12V-D	Green	
RJS-GME5-B-12V-D	Blue	
RJS-GME5-Y-12V-D	Yellow	
RJS-GME5-W-12V-D	White	

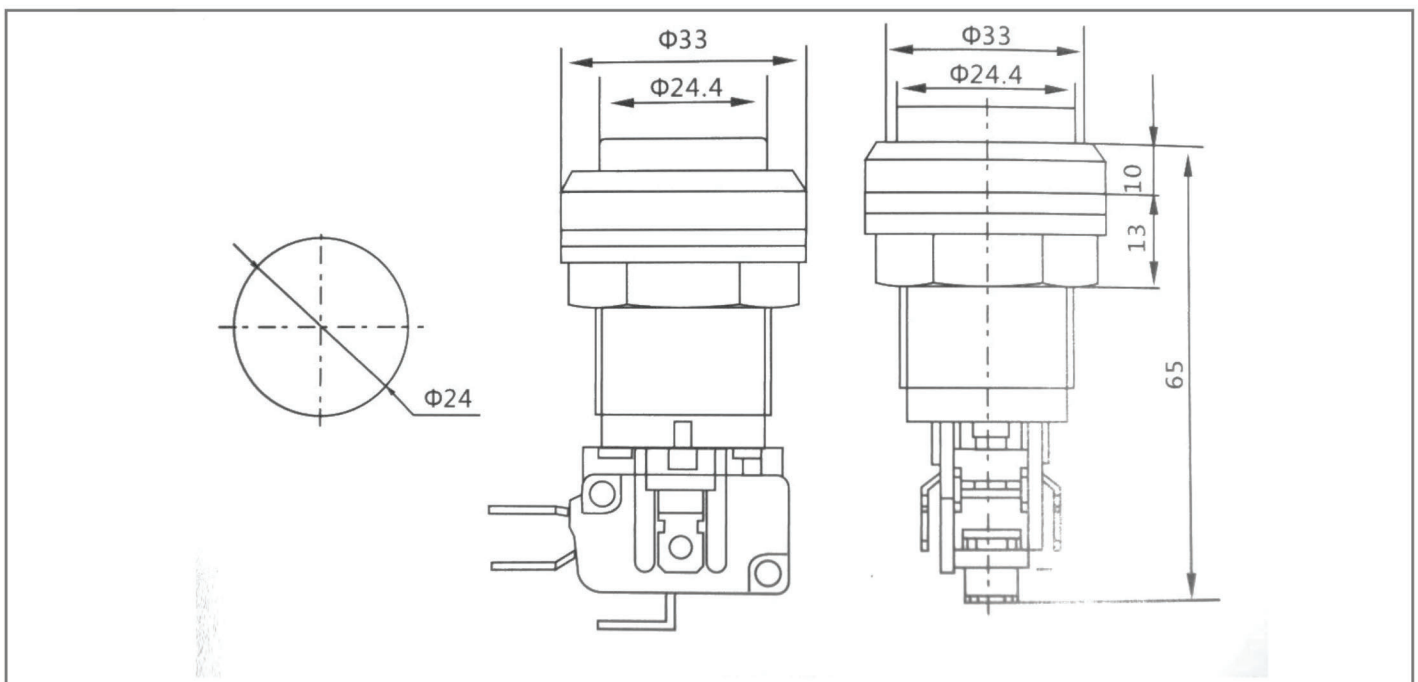
Rating:	5A 250VAC	Contact Resistance:	≤30mΩ
Electrical Life:	≥ 10,000 Cycles	Function:	OFF-(ON)
Dielectric strength:	1500VAC 1 minute	Operating Temperature:	-25°C~+85°C
Insulation Resistance:	100mΩ min (500VDC)	OEM or ODM:	Available



RJS-GME6

RJS Part	LED Colour	Picture
RJS-GME6-R-12V-D	Red	
RJS-GME6-G-12V-D	Green	
RJS-GME6-B-12V-D	Blue	
RJS-GME6-Y-12V-D	Yellow	
RJS-GME6-W-12V-D	White	

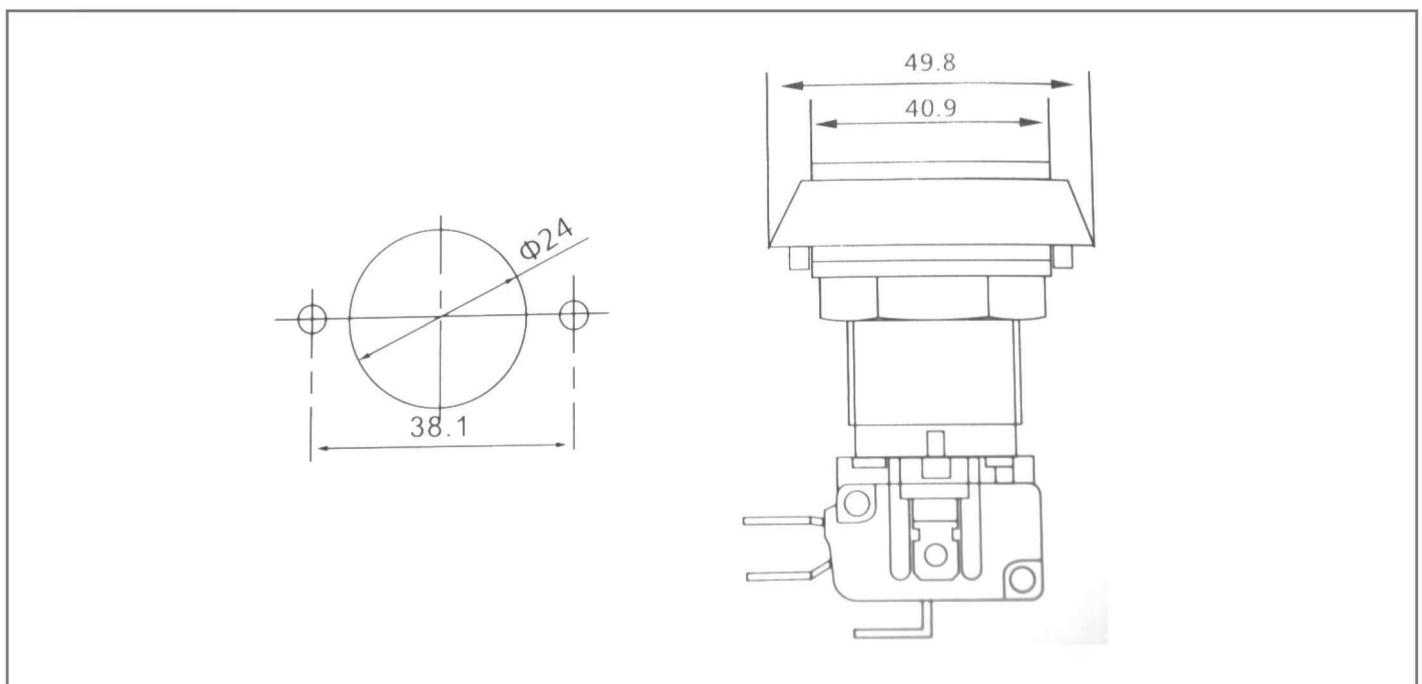
Rating:	5A 250VAC	Contact Resistance:	≤30mΩ
Electrical Life:	≥ 10,000 Cycles	Function:	OFF-(ON)
Dielectric strength:	1500VAC 1 minute	Operating Temperature:	-25°C~+85°C
Insulation Resistance:	100mΩ min (500VDC)	OEM or ODM:	Available




RJS-GME7

RJS Part	LED Colour	Picture
RJS-GME7-R-12V-D	Red	
RJS-GME7-G-12V-D	Green	
RJS-GME7-B-12V-D	Blue	
RJS-GME7-Y-12V-D	Yellow	
RJS-GME7-W-12V-D	White	

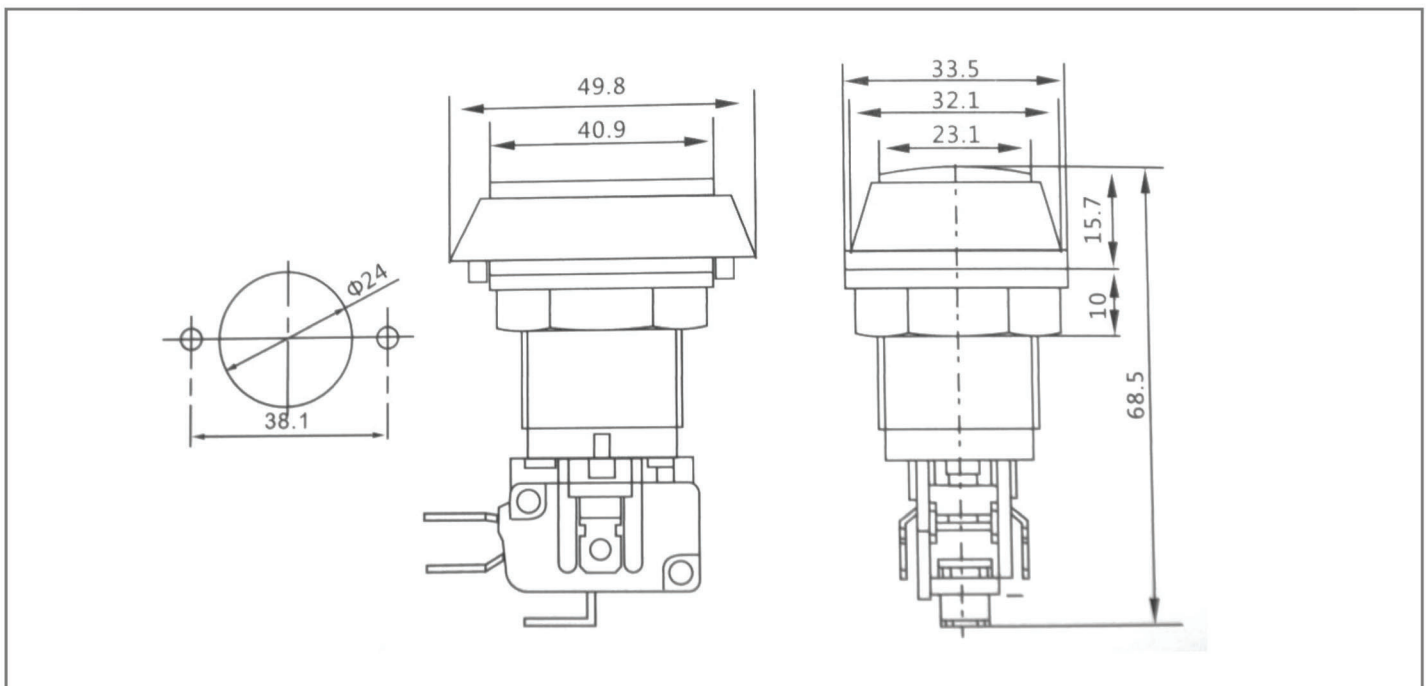
Rating:	5A 250VAC	Contact Resistance:	≤30mΩ
Electrical Life:	≥ 10,000 Cycles	Function:	OFF-(ON)
Dielectric strength:	1500VAC 1 minute	Operating Temperature:	-25°C~+85°C
Insulation Resistance:	100mΩ min (500VDC)	OEM or ODM:	Available



RJS-GME8

RJS Part	LED Colour	Picture
RJS-GME8-R-12V-D	Red	
RJS-GME8-G-12V-D	Green	
RJS-GME8-B-12V-D	Blue	
RJS-GME8-Y-12V-D	Yellow	
RJS-GME8-W-12V-D	White	

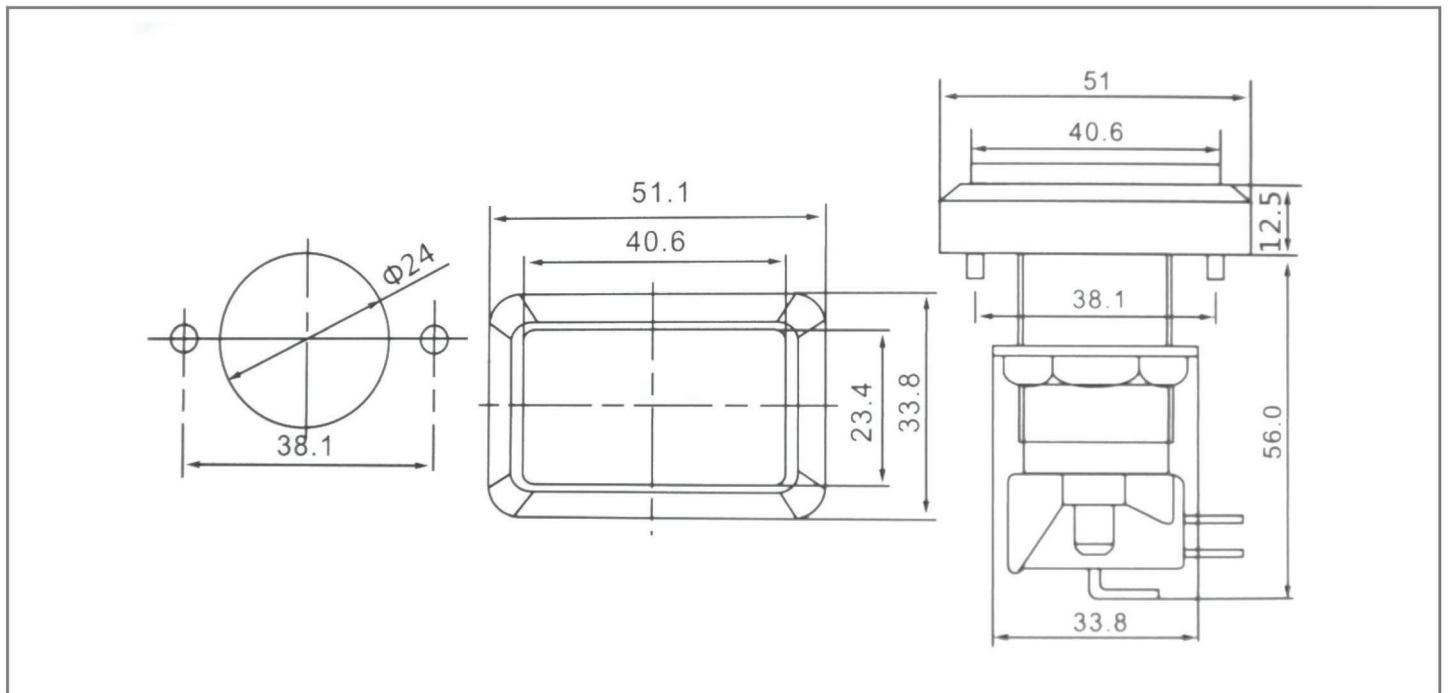
Rating:	5A 250VAC	Contact Resistance:	≤30mΩ
Electrical Life:	≥ 10,000 Cycles	Function:	OFF-(ON)
Dielectric strength:	1500VAC 1 minute	Operating Temperature:	-25°C~+85°C
Insulation Resistance:	100mΩ min (500VDC)	OEM or ODM:	Available



RJS-GME9

RJS Part	LED Colour	Picture
RJS-GME9-R-12V-D	Red	
RJS-GME9-G-12V-D	Green	
RJS-GME9-B-12V-D	Blue	
RJS-GME9-Y-12V-D	Yellow	
RJS-GME9-W-12V-D	White	

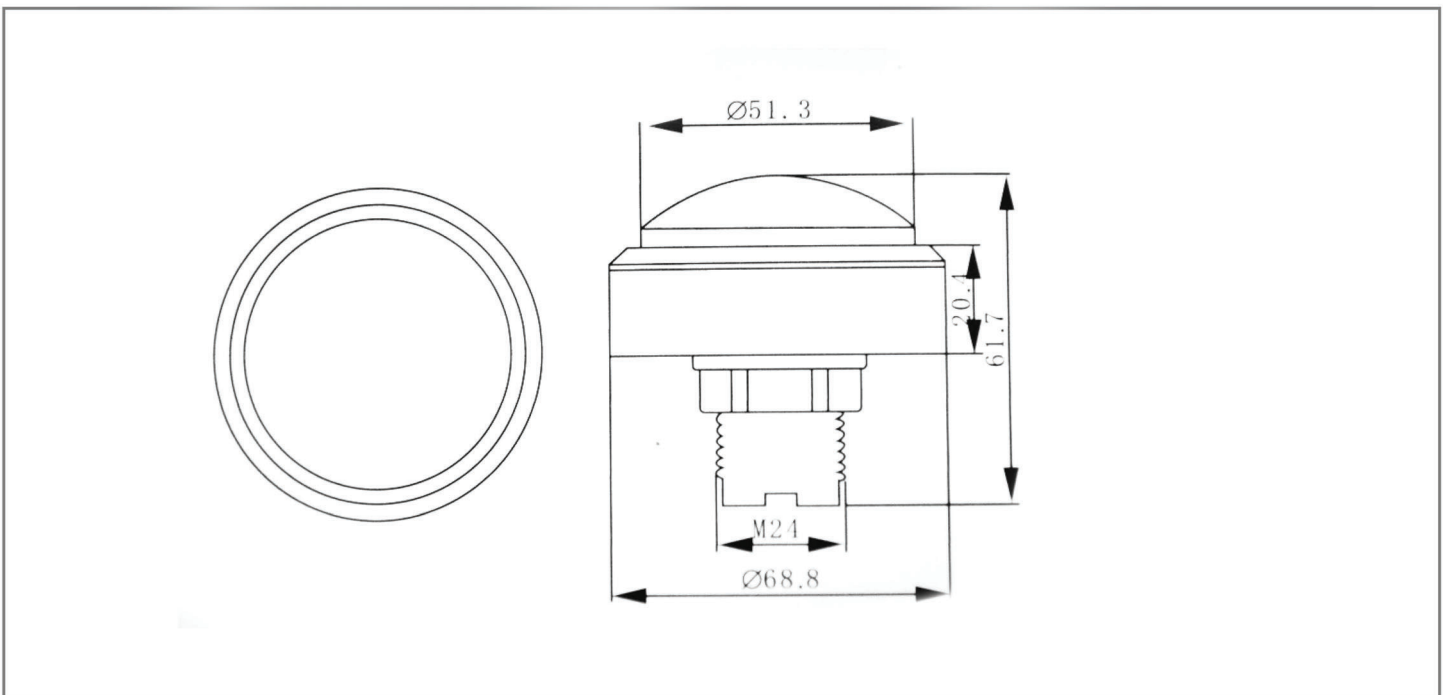
Rating:	5A 250VAC	Contact Resistance:	≤30mΩ
Electrical Life:	≥ 10,000 Cycles	Function:	OFF-(ON)
Dielectric strength:	1500VAC 1 minute	Operating Temperature:	-25°C~+85°C
Insulation Resistance:	100mΩ min (500VDC)	OEM or ODM:	Available



RJS-GME10

RJS Part	LED Colour	Picture
RJS-GME10-R-12V-D	Red	
RJS-GME10-G-12V-D	Green	
RJS-GME10-B-12V-D	Blue	
RJS-GME10-Y-12V-D	Yellow	
RJS-GME10-W-12V-D	White	

Rating:	5A 250VAC	Contact Resistance:	≤30mΩ
Electrical Life:	≥ 10,000 Cycles	Function:	OFF-(ON)
Dielectric strength:	1500VAC 1 minute	Operating Temperature:	-25°C~+85°C
Insulation Resistance:	100mΩ min (500VDC)	OEM or ODM:	Available



RJS-GME11

RJS Part	LED Colour	Picture
RJS-GME11-R-12V-D	Red	
RJS-GME11-G-12V-D	Green	
RJS-GME11-B-12V-D	Blue	
RJS-GME11-Y-12V-D	Yellow	
RJS-GME11-W-12V-D	White	

Rating:	5A 250VAC	Contact Resistance:	≤30mΩ
Electrical Life:	≥ 10,000 Cycles	Function:	OFF-(ON)
Dielectric strength:	1500VAC 1 minute	Operating Temperature:	-25°C~+85°C
Insulation Resistance:	100mΩ min (500VDC)	OEM or ODM:	Available

