



659 SERIES Watertight Panel Mount Indicators

MECHANICAL / SPECIFICATIONS

MOUNTING HOLE SIZE:
0.500" (12.7mm)

MAX PANEL THICKNESS:
0.450" (11.43mm)

MOUNTING TORQUE:
5 in.-lbs.

VOLTAGE OPTIONS:
Single color: 6-60VDC
Bi- and Tri-color: 6-30VDC

OPERATING TEMPERATURE:
-40°C to +85°C

STORAGE TEMPERATURE:
-40°C to +100°C

ELECTRICAL CONNECTION:
18AWG anti-capillary wire

HOUSING:
Polycarbonate (UL 94V-0)

WIRE LEADS:
6" - Wire color is same as LED color;
Black wire is common

LOCK WASHER:
White nickel - Plate bronze

NUT:
White nickel - Plated brass

CERTIFICATIONS & RATINGS

RoHS Compliant
NEMA 4X
IP67

FEATURES & BENEFITS

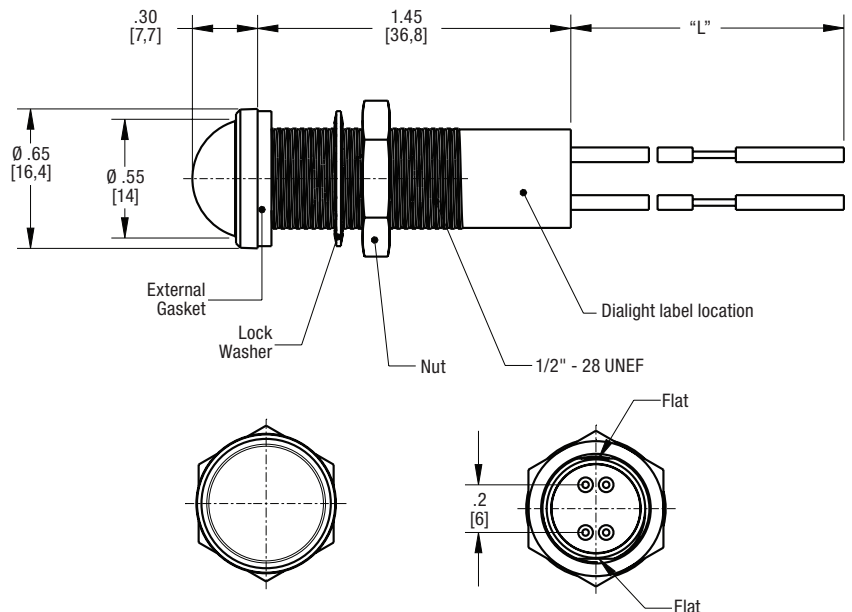
- RoHS compliant
- NEMA 4X
- IP67
- Variable voltage
- Constant intensity

APPLICATION

The 659 Series LED panel mount indicators are designed with a highly-durable watertight housing. These indicators are designed for a variety of applications such as:

- Industrial control systems and machinery
- Maritime equipment
- Renewable energy systems
- EV charging
- Transportation infrastructure

DIMENSIONS inches [mm]



ORDERING INFORMATION

Part Number	LED Color	Lens Color	Typ. If (mA)	Typ. VF (VDC)	Typ. Intensity (mcd)			
Single Color								
659-2506-103F	● Red	Red	28mA	6-60VDC	2200			
659-2606-103F	● Green	Green			7000			
659-2706-103F	● Yellow	Yellow			2200			
659-2806-103F	● Blue	Blue			1000			
Bi-Color								
659-2415-303F	● Red	White Diffused	20mA	6-30VDC	1000			
	● Green				2100			
659-2425-303F	● Red				1000			
	● Blue				400			
659-2435-303F	● Green				2100			
	● Yellow				1000			
659-2455-303F	● Red				1000			
	● Yellow				1000			
659-2465-303F	● Green				2100			
	● Blue				400			
Tri-Color								
659-2485-303F	● Red				White Diffused	20mA	6-30VDC	1000
	● Green	2100						
	● Blue	400						
659-2495-303F	● Red	1000						
	● Green	2100						
	● Yellow	1000						



Dialight reserves the right to make changes at any time in order to supply the best product possible. The most current version of this document will always be available at: www.dialightsignalsandcomponents.com

Warranty Statement: Except for the warranty expressly provided for at: www.dialight.com/resources/warranties/, Dialight disclaims any and all other warranties, express or implied, including, without limitation, any warranties of merchantability, fitness for a particular purpose, title, and noninfringement.