

RNF-100-1/2-8-STK ✓ ACTIVE

RAYCHEM | RAYCHEM RNF-100

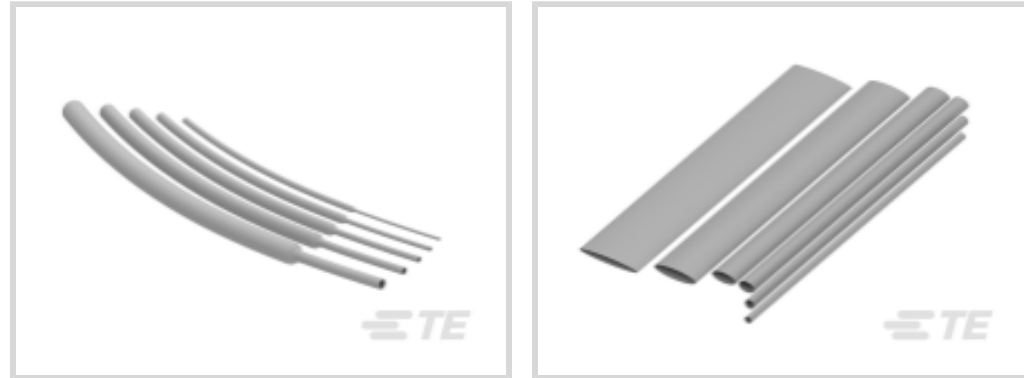
TE Internal #: 5054232025

Gray, 2:1, Single Wall Tubing, Shrinks To 6.4 mm [.252 in], Irradiated Modified Polyolefin, 12.7 mm [.5 in] Inner Diameter, RAYCHEM RNF-100

[View on TE.com >](#)



Heat Shrink Tubing > RNF-100-7 Heat Shrink Tubing



Primary Product Color: **Gray**

Shrink Ratio: **2:1**

Wall Type: **Single Wall**

Recovered Inside Diameter (Max): **6.4 mm [.252 in]**

Primary Product Material: **Irradiated Modified Polyolefin**

[All RNF-100-7 Heat Shrink Tubing \(14\)](#)

Features

Electrical Characteristics

| | |
|-------------------------|-------|
| Operating Voltage (Max) | .6 kV |
|-------------------------|-------|

Usage Conditions

| | |
|--------------------------|-------|
| Shrink Temperature (Min) | 95 °C |
|--------------------------|-------|

| | |
|--------------------------|-----------------|
| Tubing Flammability Type | Flame-Retardant |
|--------------------------|-----------------|

| | |
|-----------------------------|--------------|
| Operating Temperature Range | -55 – 135 °C |
|-----------------------------|--------------|

| | |
|----------------------|--------|
| Recovery Temperature | 121 °C |
|----------------------|--------|

Dimensions

| | |
|------------------------------------|-----------------|
| Recovered Wall Thickness (Nominal) | .65 mm[.026 in] |
|------------------------------------|-----------------|

| | |
|----------------|--------------------|
| Product Length | 1220 mm[48.031 in] |
|----------------|--------------------|

| | |
|--------------------------------------|----------------|
| Recovered Wall Thickness (Tolerance) | .3 mm[.012 in] |
|--------------------------------------|----------------|

| | |
|---------------------------------|-----------------|
| Recovered Inside Diameter (Max) | 6.4 mm[.252 in] |
|---------------------------------|-----------------|

| | |
|--------------------------------|----------------|
| Expanded Inside Diameter (Min) | 12.7 mm[.5 in] |
|--------------------------------|----------------|

| | |
|-------------------|-----------------------------|
| Tubing Size Range | 6.4 – 12.7 mm[.252 – .5 in] |
|-------------------|-----------------------------|

Body Features

| | |
|------------|---|
| Fluid Type | Lubricating Oil, Hydraulic Fluid, Water, Gasoline |
|------------|---|



| | |
|-----------------------|------|
| Primary Product Color | Gray |
|-----------------------|------|

| | |
|--------------|-----|
| Shrink Ratio | 2:1 |
|--------------|-----|

| | |
|--------------------------|--------------------------------|
| Primary Product Material | Irradiated Modified Polyolefin |
|--------------------------|--------------------------------|

| | |
|-------------|----------|
| Flexibility | Flexible |
|-------------|----------|

Product Type Features

| | |
|-----------|-------------|
| Wall Type | Single Wall |
|-----------|-------------|

Packaging Features

| | |
|------------------|-----|
| Packaging Method | Box |
|------------------|-----|

Operation/Application

| | |
|-----------------------|--|
| Mechanical Resistance | Mechanical Damage, Fluids, Strain Relief, Abrasion |
|-----------------------|--|

Product Availability

| | |
|-------------------|--------|
| Applicable Region | Global |
|-------------------|--------|

Other

| | |
|-----------------------------------|----|
| Meets Low Outgassing Requirements | No |
|-----------------------------------|----|

| | |
|----------------|-----------------------|
| Product Source | China, Czech Republic |
|----------------|-----------------------|

| | |
|--------------------|-----------|
| EU RoHS Compliance | Compliant |
|--------------------|-----------|

| | |
|-------------------|-----------|
| EU ELV Compliance | Compliant |
|-------------------|-----------|

Product Compliance

[For compliance documentation, visit the product page on TE.com>](#)

| | |
|------------------------------|-----------|
| EU RoHS Directive 2011/65/EU | Compliant |
|------------------------------|-----------|

| | |
|-----------------------------|-----------|
| EU ELV Directive 2000/53/EC | Compliant |
|-----------------------------|-----------|

| | |
|---|---|
| China RoHS 2 Directive MIIT Order No 32, 2016 | No Restricted Materials Above Threshold |
|---|---|

| | |
|--|---|
| EU REACH Regulation (EC) No. 1907/2006 | Current ECHA Candidate List: JUNE 2024 (241) Candidate List Declared Against: JUNE 2024 (241) Does not contain REACH SVHC |
|--|---|

| | |
|-----------------|--|
| Halogen Content | Not Low Halogen - contains Br or Cl > 900 ppm. |
|-----------------|--|

| | |
|---------------------------|--|
| Solder Process Capability | Not applicable for solder process capability |
|---------------------------|--|

Product Compliance Disclaimer



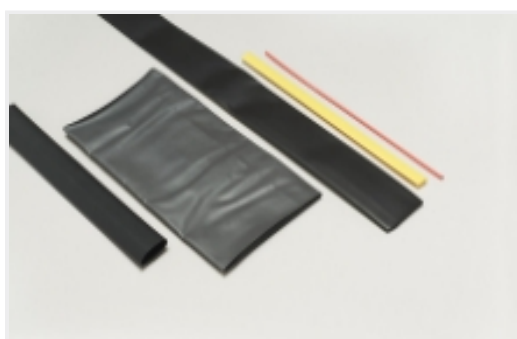
This information is provided based on reasonable inquiry of our suppliers and represents our current actual knowledge based on the information they provided. This information is subject to change. The part numbers that TE has identified as EU RoHS compliant have a maximum concentration of 0.1% by weight in homogenous materials for lead, hexavalent chromium, mercury, PBB, PBDE, DBP, BBP, DEHP, DIBP, and 0.01% for cadmium, or qualify for an exemption to these limits as defined in the Annexes of Directive 2011/65/EU (RoHS2). Finished electrical and electronic equipment products will be CE marked as required by Directive 2011/65/EU. Components may not be CE marked. Additionally, the part numbers that TE has identified as EU ELV compliant have a maximum concentration of 0.1% by weight in homogenous materials for lead, hexavalent chromium, and mercury, and 0.01% for cadmium, or qualify for an exemption to these limits as defined in the Annexes of Directive 2000/53/EC (ELV). Regarding the REACH Regulation, the information TE provides on SVHC in articles for this part number is based on the latest European Chemicals Agency (ECHA) 'Guidance on requirements for substances in articles' posted at this URL: <https://echa.europa.eu/guidance-documents/guidance-on-reach>

Compatible Parts



TE Part # EG1114-000
CV1981-ST-230V1600W-EU

Also in the Series | RAYCHEM RNF-100



Heat Shrink Tubing(838)



Power Cable Tubing & Accessories(8)

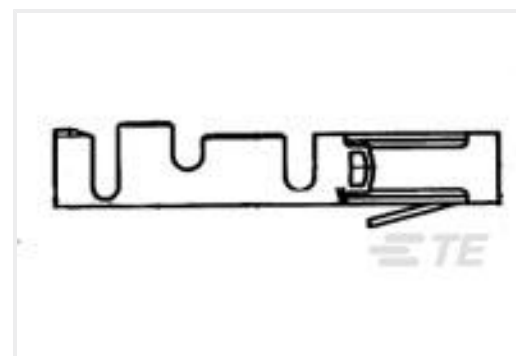
Customers Also Bought



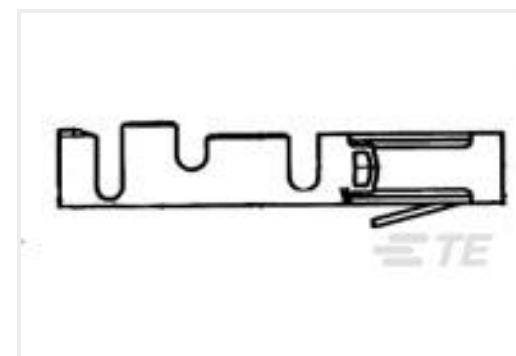
TE Part #52949
PG SPR SPD 22-16COMM 22-18MIL6



TE Part #926896-1
UNIV.M-N-L.PIN



TE Part #181270-2
MOD II CONTACT L.P.



TE Part #281556-2
20AWG MOD 2 CRIMP TIN PLATE



Documents

Product Drawings

[RNF-100-1/2-8-STK](#)

English

Datasheets & Catalog Pages

[RNF-100 Pages from 9-1773447-9](#)

English

Product Specifications

[Application Specification](#)

English