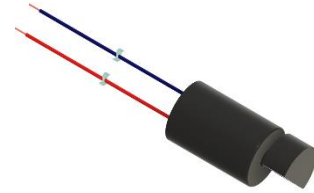




PUIaudio



Data Sheet

HD-EMB2110-LW140

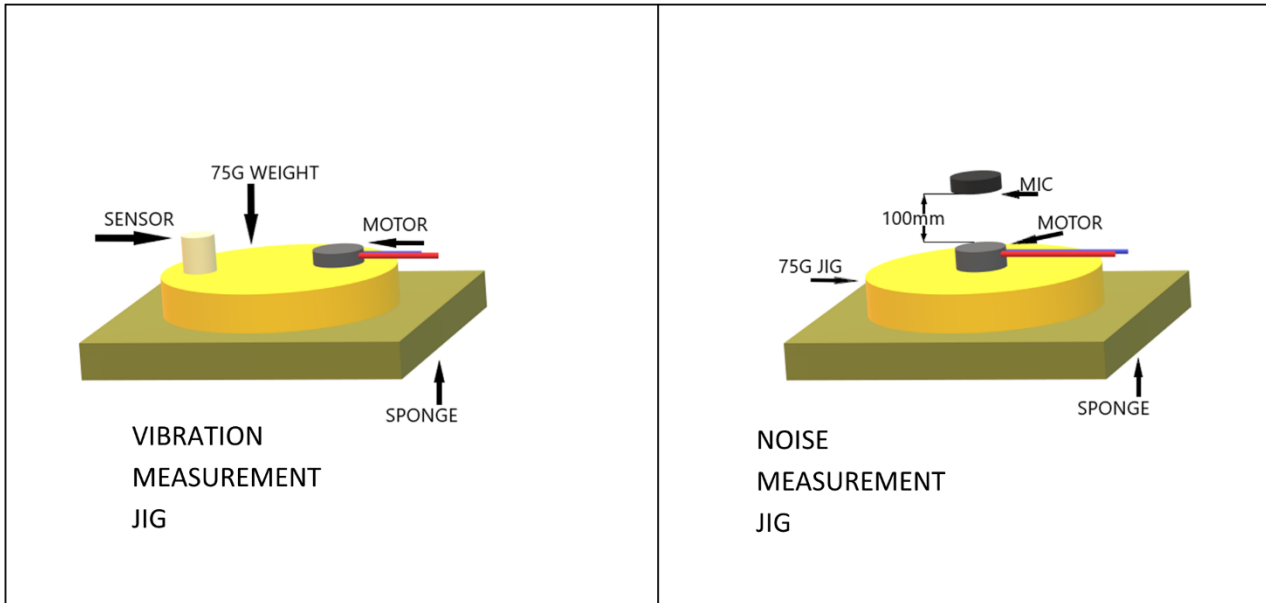
Features:

- 21.3mm x 10mm cylindrical design
- Strong vibration force
- 8,500 rpm rated speed
- Lead wires for easy installation

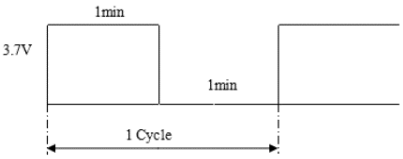
Specifications

Parameters	Values	Units
Input Voltage (DC)	3.7	V _{DC}
Starting Voltage (DC)	1.2	V _{DC}
Operating Voltage Range (DC)	2.0 ~ 4.2	V _{DC}
Direction of Rotation	CW/CCW	-
Rated Speed	8,500 ± 2,000	RPM
Rated Current (Max at 4.2 V _{DC})	150	mA
Starting Current (Max at 3.7 V _{DC})	900	mA
Terminal Resistance	36 ± 20%	Ohms
Shaft End Play (Max)	0.3	mm
Mechanical Noise (Max)	50	dBA
Environmental Compliances	RoHS/REACH	-
Weight	3.15	Grams
Storage Temperature	-0 ~ +80	°C
Operating Temperature	-10 ~ +60	°C

Measurement Methods

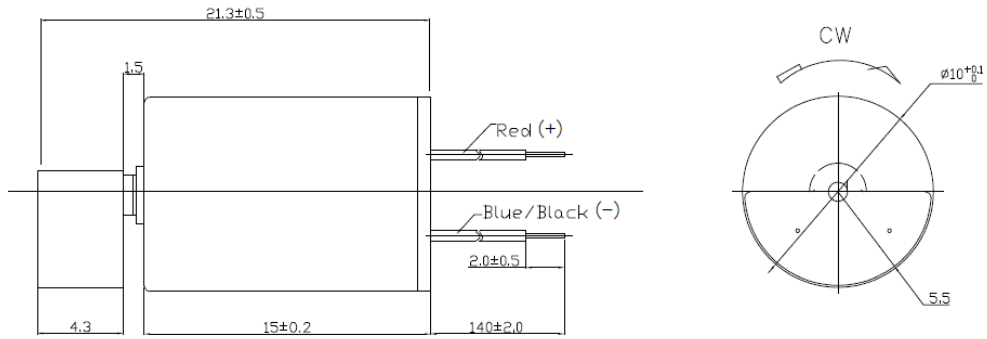


Reliability Testing

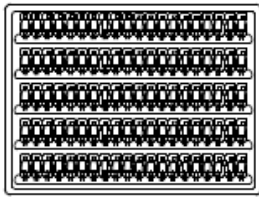
Type of Test	Test Specifications
High Temperature Test	Temperature: $+60\pm 2^{\circ}\text{C}$ Test Duration Time: 96 hours
Low Temperature Test	Temperature: $-30\pm 2^{\circ}\text{C}$ Test Duration Time: 96 hours
Humidity Test	Temperature: 60°C Relative Humidity: 90~95% Test Duration Time: 96 hours
Thermal Shock Test	Temperature Cycle: -30 to $+70^{\circ}\text{C}$ Cycle Time: 2 hours Test Repetition: 10 cycles (20 hours total)
Lifetime test	Voltage: 3.7 Vdc Test Mode: 60sec On, 60sec Off, as 1 cycle Total Cycles: 9,000 
Drop Test	Drop Condition: 1m onto wooden block of 10mm thickness Test Repetition: 1 time per side (6 total)

Rated current, speed, starting voltage, and mechanical noise must meet specifications after allowing the device to rest for 2 hours after test.

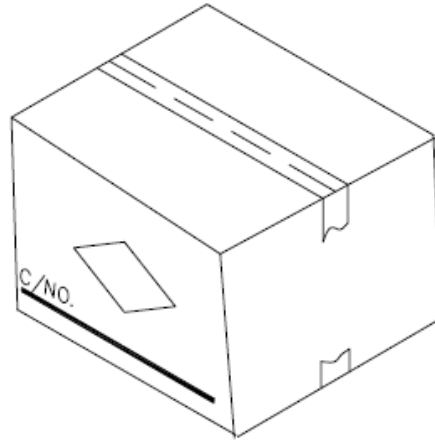
Dimensions



Packaging



100PCS(1 tray)X 10



2000PCS/ CTN:31*24*22CM

Specifications Revisions

Revision	Description	Date	Approved
A	RELEASED FROM ENGINEERING	12/13/2024	JD

Note:

- Unless otherwise specified:
 - All dimensions are in millimeters.
 - Default tolerances are $\pm 0.1\text{mm}$ and angles are $\pm 3^\circ$.
- Specifications subject to change or withdrawal without notice.