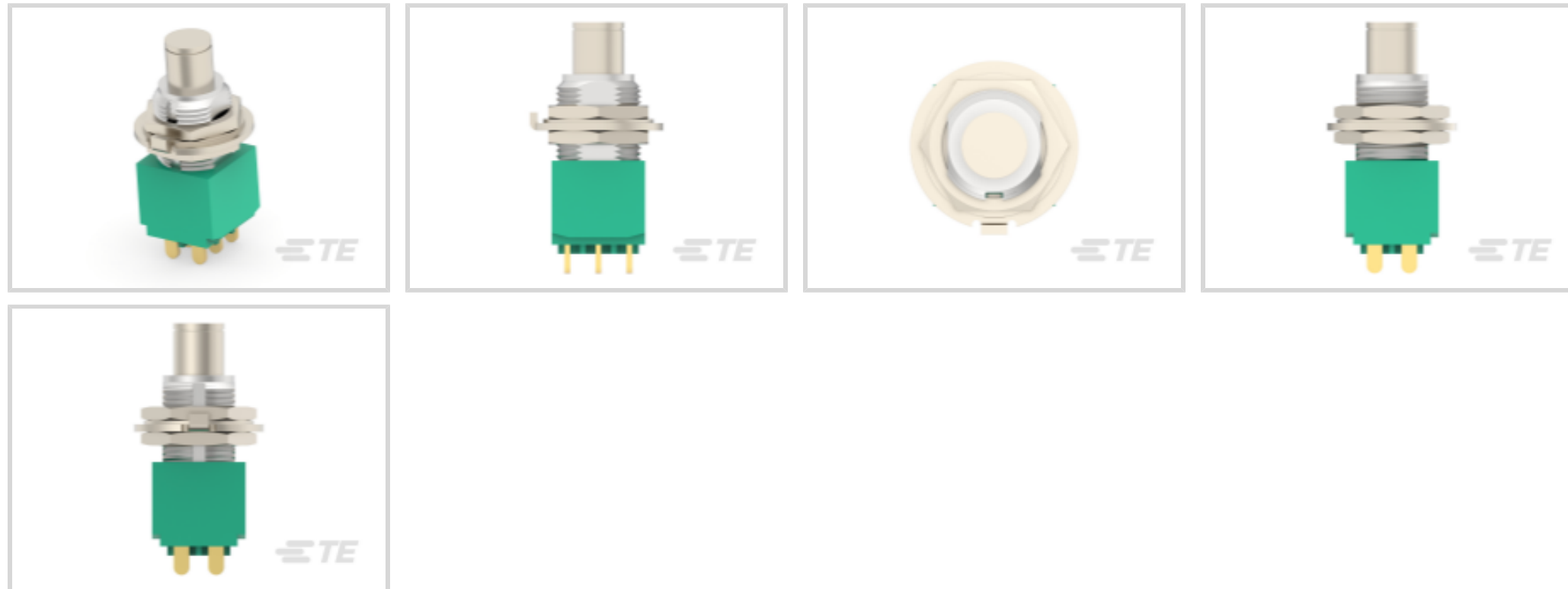




Switches > Push Button Switches



Push Button Switch Product Type: **General Purpose Push Button Switch**

Configuration (Pole-Throw): **Double Pole - Single Throw**

Number of Actuators: **Single**

Actuator Profile: **Extended**

Bushing Style: **Threaded**

Features

Usage Conditions

Operating Temperature Range	-20 – 85 °C
-----------------------------	-------------

Packaging Features

Packaging Method	Bulk
------------------	------

Dimensions

Cap Diameter	8.99 mm[.354 in]
Actuator Length	8 mm[.315 in]

Contact Features

Contact Base Material	Silver Clad Copper
Switch Contact Plating Material	Silver Clad with Gold Flash

Housing Features

Low Profile	No
Process Sealed	No

Body Features

--	--



Case Material	Thermoset
Actuator Material	Phenol Resin
Product Orientation	Vertical
Actuator Force	400 – 2000 g[14.11 – 70.54 oz]
Actuator Profile	Extended
Bushing Style	Threaded
Bushing Thread Size	15/32
Actuator Color	Natural

Product Type Features

Switch Connection Type	Wire Lugs
Push Button Switch Product Type	General Purpose Push Button Switch
Illuminated	Without
Actuator Style	Cap Actuator - Supplied

Configuration Features

Configuration (Pole-Throw)	Double Pole - Single Throw
Number of Actuators	Single
Snap Action	Without
Support Bracket	Without
Switch Feedback Type	Non-Tactile
Operating Function	Momentary

Electrical Characteristics

Contact Current Rating	6 A
Operating Voltage Range	28 VDC

Other

EU RoHS Compliance	Compliant with Exemptions
EU ELV Compliance	Compliant with Exemptions

Product Compliance

[For compliance documentation, visit the product page on TE.com>](#)

EU RoHS Directive 2011/65/EU	Compliant with Exemptions
EU ELV Directive 2000/53/EC	Compliant with Exemptions
China RoHS 2 Directive MIIT Order No 32, 2016	Restricted Materials Above Threshold



EU REACH Regulation (EC) No. 1907/2006

Current ECHA Candidate List: JUNE 2024 (241)

Candidate List Declared Against: JUNE 2024 (241)

SVHC > Threshold:

1,6,7,8,9,14,15,16,17,17,18,18-dodecachloropentacyclo [12.2.1.16,9.02,13.05,10]octadeca-7,15-diene (Dechlorane Plus) (6.7% in Component Part)

Pb (3.7% in Component Part)

Article Safe Usage Statements:

Do not eat, drink or smoke when using this product. Wash thoroughly after handling. Do not handle until all safety precautions have been read and understood. Recycle if possible and dispose of the article by following all applicable governmental regulations relevant to your geographic location.

Halogen Content

Not Low Halogen - contains Br or Cl > 900 ppm.

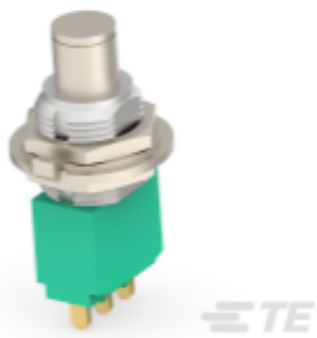
Solder Process Capability

Wave solder capable to 240°C

Product Compliance Disclaimer

This information is provided based on reasonable inquiry of our suppliers and represents our current actual knowledge based on the information they provided. This information is subject to change. The part numbers that TE has identified as EU RoHS compliant have a maximum concentration of 0.1% by weight in homogenous materials for lead, hexavalent chromium, mercury, PBB, PBDE, DBP, BBP, DEHP, DIBP, and 0.01% for cadmium, or qualify for an exemption to these limits as defined in the Annexes of Directive 2011/65/EU (RoHS2). Finished electrical and electronic equipment products will be CE marked as required by Directive 2011/65/EU. Components may not be CE marked. Additionally, the part numbers that TE has identified as EU ELV compliant have a maximum concentration of 0.1% by weight in homogenous materials for lead, hexavalent chromium, and mercury, and 0.01% for cadmium, or qualify for an exemption to these limits as defined in the Annexes of Directive 2000/53/EC (ELV). Regarding the REACH Regulation, the information TE provides on SVHC in articles for this part number is based on the latest European Chemicals Agency (ECHA) 'Guidance on requirements for substances in articles' posted at this URL: <https://echa.europa.eu/guidance-documents/guidance-on-reach>

Compatible Parts



TE Part # 4-1437567-9
MPG106D=(MSPG) SWITCH
PUSHBUTT



TE Part # 3-1437567-8
MPA406R=SW P/B MOM 4PDT



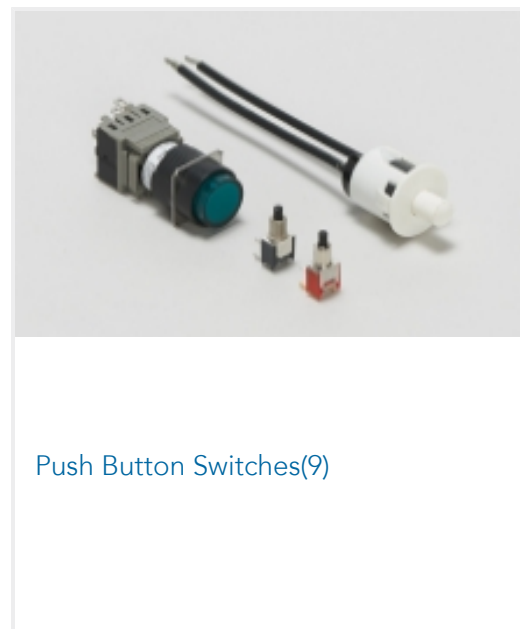
TE Part # 3-1437567-3
MPA206R=SW P/B MOM DPDT



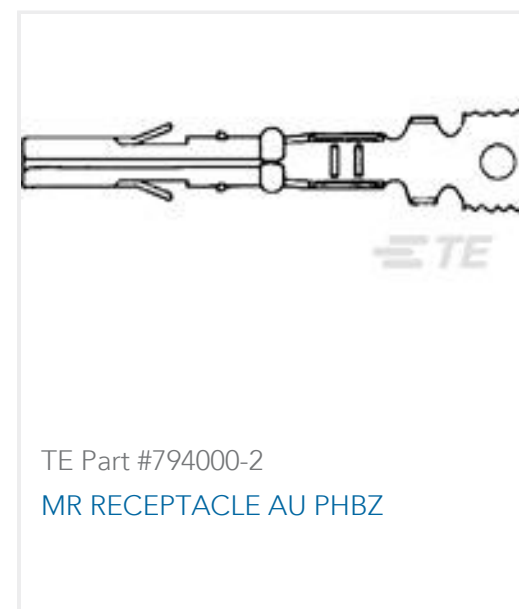
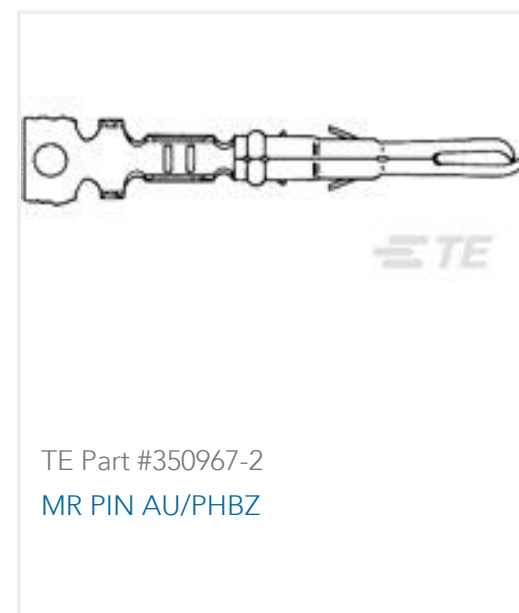
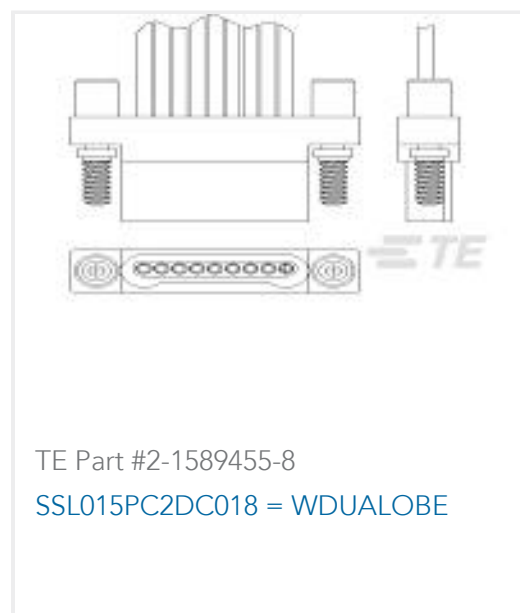
TE Part # 3-1437567-1
MPA206N=SW P/B ON/OFF DPDT



Also in the Series | **Alcoswitch MPG**



Customers Also Bought





Documents

Product Drawings

[MPG206R=\(MSPG\) SW PUSHBUTTON](#)

English

CAD Files

[3D PDF](#)

3D

Customer View Model

[ENG_CVM_CVM_5-1437567-3_D.2d_dxf.zip](#)

English

Customer View Model

[ENG_CVM_CVM_5-1437567-3_D.3d_igs.zip](#)

English

Customer View Model

[ENG_CVM_CVM_5-1437567-3_D.3d_stp.zip](#)

English

By downloading the CAD file I accept and agree to the [Terms and Conditions](#) of use.

Datasheets & Catalog Pages

[2-1773458-6_GREEN_SERIES_SWITCHES](#)

English