

FC Connectors and Adapters

(Ferrule Connector)



Amphenol's 944 Series fiber optic FC connectors effectively terminate optical fiber in a variety of network applications. The connectors are secured using a threaded coupling nut, providing a significant increase in retention force. The FC connectors also feature an internal cavity and epoxy injection tube that virtually eliminates the possibility of improper epoxy application, thus providing higher manufacturing yields.

Every aspect of the connector system is precision manufactured to produce reliable and consistent performance. The FC connector is available in tunable or non-tunable PC versions for flexibility in specific performance requirements. The FC/APC connector system features a tight-fit keyway that prohibits the possible mis-mating between FC/PC and FC/APC connectors.

Typical Applications:

- ▶ Telecommunications networks
- ▶ Monitoring systems
- ▶ Data centers
- ▶ Test and measurement equipment
- ▶ Industrial environments with high vibrations

Primary Advantages:

- ▶ Threaded design ensures a robust connection, ideal for high-vibration environments
- ▶ Provides efficient signal transmission with minimal loss
- ▶ Ceramic ferrule ensures precise fiber alignment for consistent optical performance



Features and Benefits:

- ▶ One-piece construction
- ▶ Non-optical disconnect feature prevents signal loss
- ▶ Teflon tube ensures clean epoxy injection
- ▶ Zirconia ferrules minimize insertion and return loss
- ▶ Available in singlemode, angled singlemode, and multimode
- ▶ Options for 900µm, 2.0mm, or 3.0mm boots
- ▶ Tunable versions available
- ▶ Stainless steel ferrules option
- ▶ IEC 61 compliant



FC Connectors

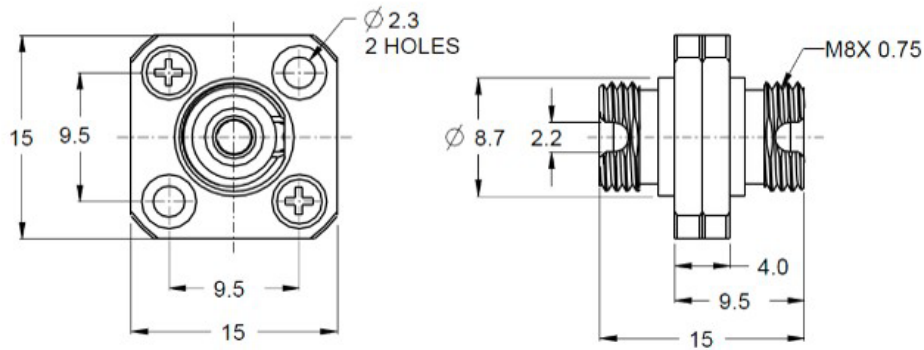
Part Number	Description	Ferrule Size	Ferrule Tolerance	Mode	Ferrule Material	Body Material	Nut Material	Insertion Loss	Return Loss	Recommended Cable Diameter	Boot Color	Sterilization
944-601-53203B	FC Connector	128 µm	'+1,-0 µm	MM	Zirconia	Stainless Steel	Nickel Plated Brass	.35 dB	N/A	3mm	Black	ETO, Autoclave
944-601-53293B	FC Connector	125.5 µm	'+4,-0 µm	SM	Zirconia	Stainless Steel	Nickel Plated Brass	.15 dB	55 dB	3 mm	Black	ETO, Autoclave
944-601-53293L	FC Connector	125.5 µm	'+1,-0 µm	SM	Zirconia	Stainless Steel	Nickel Plated Brass	.35 dB	55 dB	3 mm	Blue	ETO, Autoclave
944-603-53393G	FC/APC Connector-Conical Ferrule	125.5 µm	'+4,-0 µm	SM	Zirconia	Stainless Steel	Nickel Plated Brass	.3 db	65 dB	3 mm	Green	ETO, Autoclave
944-601-53202B	FC Connector	128 µm	'+1,-0 µm	MM	Zirconia	Stainless Steel	Nickel Plated Brass	.35 dB	N/A	2 mm	Black	ETO, Autoclave
944-601-53292B	FC Connector	125.5 µm	'+4,-0 µm	SM	Zirconia	Stainless Steel	Nickel Plated Brass	.15 dB	55 dB	2 mm	Black	ETO, Autoclave
944-601-53292L	FC Connector	125.5 µm	'+1,-0 µm	SM	Zirconia	Stainless Steel	Nickel Plated Brass	.15 dB	55 dB	2mm	Blue	ETO, Autoclave
944-603-53392G	FC/APC Connector-Conical Ferrule	125.5 µm	'+4,-0 µm	SM	Zirconia	Stainless Steel	Nickel Plated Brass	.3 dB	65 dB	2mm	Green	ETO, Autoclave
944-601-53209B	FC Connector	128 µm	'+1,-0 µm	MM	Zirconia	Stainless Steel	Nickel Plated Brass	.35 dB	N/A	900 µm	Black	ETO, Autoclave
944-601-53299B	FC Connector	125.5 µm	'+4,-0 µm	SM	Zirconia	Stainless Steel	Nickel Plated Brass	.15 dB	55 dB	900 µm	Black	ETO, Autoclave
944-601-53299L	FC Connector	125.5 µm	'+1,-0 µm	SM	Zirconia	Stainless Steel	Nickel Plated Brass	.15 dB	55 dB	900 µm	Blue	ETO, Autoclave
944-603-53399G	FC/APC Connector-Conical Ferrule	125.5 µm	'+4,-0 µm	SM	Zirconia	Stainless Steel	Nickel Plated Brass	.3 dB	65 dB	900 µm	Green	ETO, Autoclave

FC Adapters

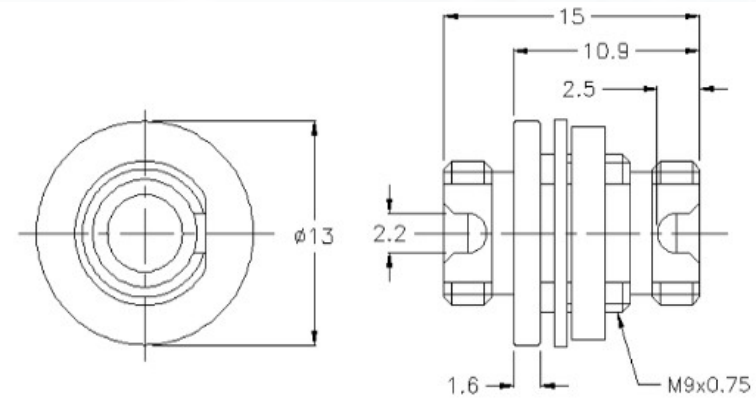
FC Accessories

Part Number	Description	Body Material	Mode	Alignment Sleeve Material	Flange Type
944-120-6000	FC Simplex Adapter	Metal	SM	Zirconia	Square, Screw-mount
944-125-6003	FC Simplex Adapter	Metal	SM	Zirconia	Feed-Through, D Hole
944-125-6004	FC/APC Simplex Adapter, Tight Keyway	Metal	SM	Zirconia	Feed-Through, D Hole
944-120-6010	Adapter, Square Flange, FC/PC	Metal	SM	Zirconia	Feed-Through, D Hole

Part Number	Description
944-120-1014	FC Dust Cap with Chain, Coupling Nut with Cap
944-1023	FC Captive Dust Cap



FC Square Adapter Screw Mount



FC D-Hole Adapter





**70+ Years of
Expertise in Optics**



**Surgical Fiber &
Sterile Consumables**



**Certified Class 7 Clean
Room in Vietnam**

- ✓ Global manufacturing facilities in China, Vietnam, and Mexico; quick-turnaround sites in the USA with advanced testing and limited production.
- ✓ Expertise in medical and specialty fibers with cross-division collaboration.
- ✓ Assemblies and connectors designed for secure RFID integration, protecting against gray market goods and unauthorized use.
- ✓ Highly trained staff focused on delivering top-quality products.

Meets QA Standards:

REACH 240 Compliant
RoHS Certificate of Compliance



Contact us

Amphenol Fiber Optic Products
Sales Administration for Quotes,
Orders, and Order Status

1431 Opus Place
Suite 500
Downers Grove, IL 60515

✉ Sales@amphenol-fop.com
☎ 833-499-2385