

**RoHS
Compliant**

Description

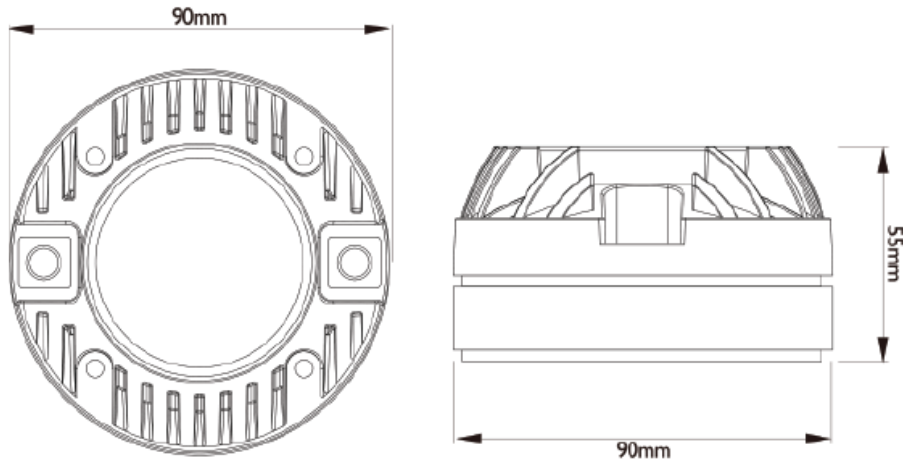


Experience crystal-clear highs with this premium 1.35" Titanium Dome Tweeter. Designed for high compliance response from 1kHz to 20kHz, it boasts an impressive power handling capacity of 150 Watts Max., ensuring your music sounds crisp and detailed. Upgrade your sound system today!

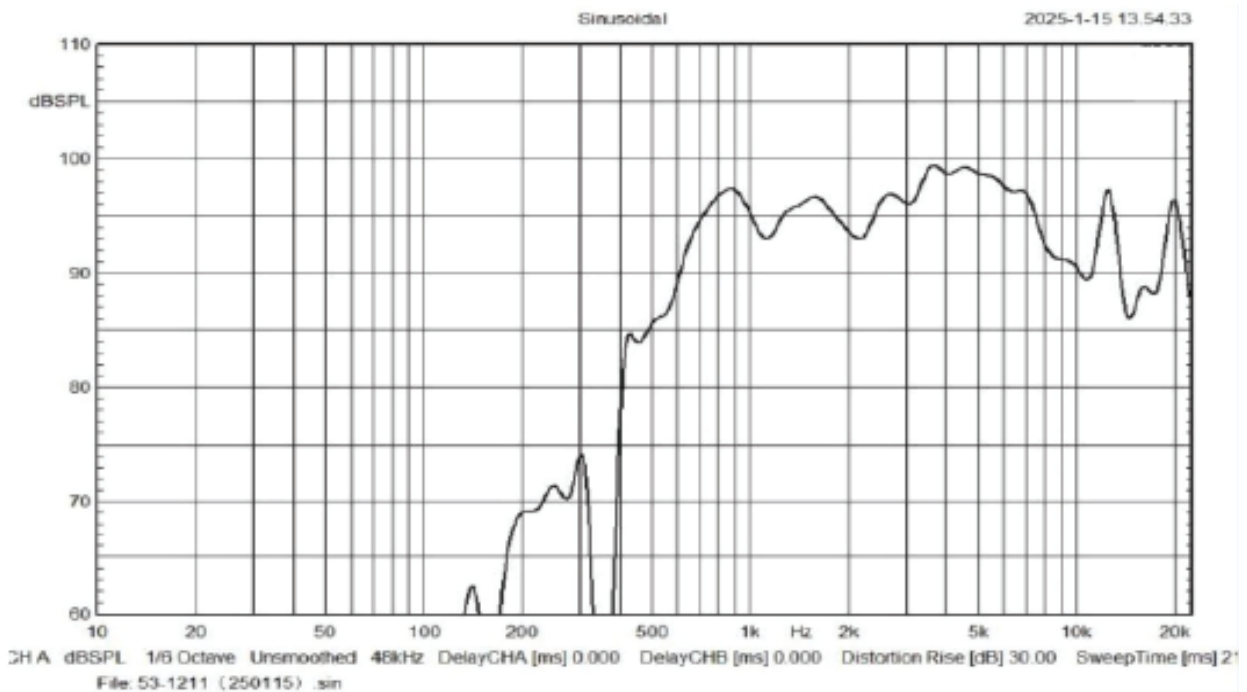
Model Number:	53-1211
GENERAL SPECIFICATIONS	
Nominal Diameter:	90x90x55mm
Rated Impedance:	8 ohms
Operating Bandwidth:	1K-20Khz(+/-3dB)
Max Power Handling Capacity:	150 Watts
Rms Power Handling Capacity:	75 Watts
Sensitivity (1W/M):	95 dB(+/-3dB)
Magnet Type:	12.3 OZ±5%

1.35" Titanium Dome Tweeter

DRAWING (dimensions in mm)



Response Curve



Part Number Table

Description	Part Number
1.35" Titanium Dome Tweeter	53-1211

Important Notice : This data sheet and its contents (the "Information") belong to the members of the AVNET group of companies (the "Group") or are licensed to it. No licence is granted for the use of it other than for information purposes in connection with the products to which it relates. No licence of any intellectual property rights is granted. The Information is subject to change without notice and replaces all data sheets previously supplied. The Information supplied is believed to be accurate but the Group assumes no responsibility for its accuracy or completeness, any error in or omission from it or for any use made of it. Users of this data sheet should check for themselves the Information and the suitability of the products for their purpose and not make any assumptions based on information included or omitted. Liability for loss or damage resulting from any reliance on the Information or use of it (including liability resulting from negligence or where the Group was aware of the possibility of such loss or damage arising) is excluded. This will not operate to limit or restrict the Group's liability for death or personal injury resulting from its negligence. Multicomp Pro is the registered trademark of Premier Farnell Limited 2019.