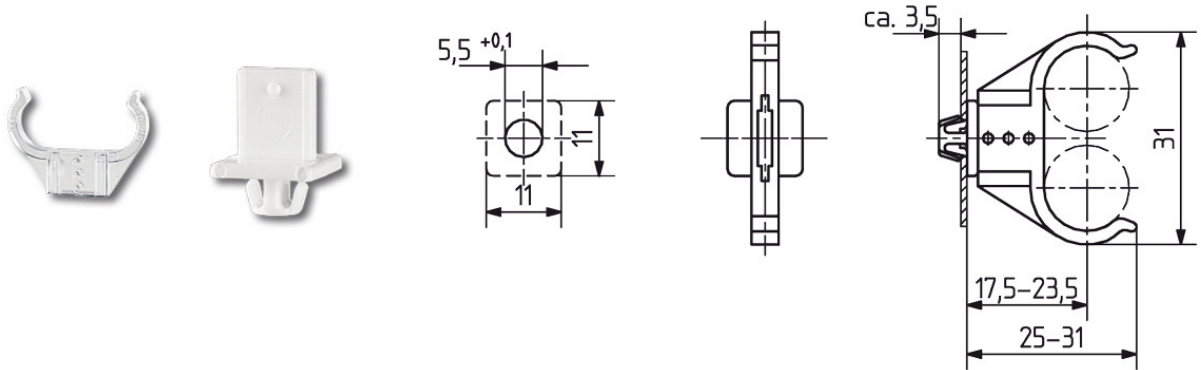


Part number: 26.719.U310.50



Product detail

- Lamp centre: 17.5 / 20.5 / 23.5mm
- Snap in pins $\text{Ø}5.5\text{mm}$
- Support material: PC