

SPECIFICATIONS

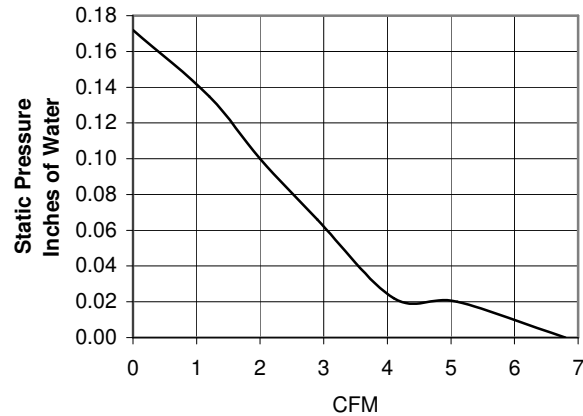
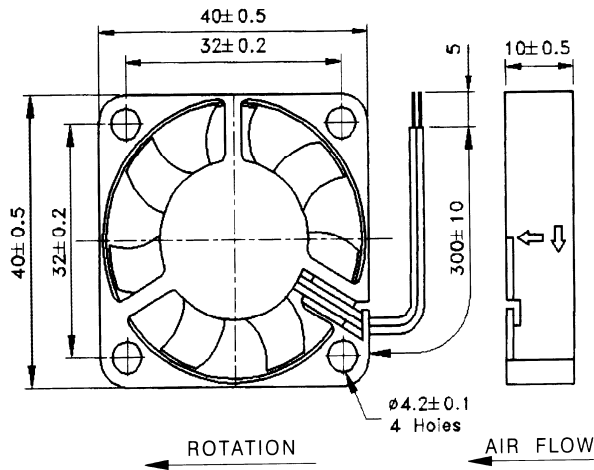


Model Number: CR0412HB – G70

Part Number: 032608

September 23, 2005

Mechanical Drawing:



Motor:

Nominal Voltage	= 12 vdc
Operating Voltage Range	= 10.8 – 13.2 vdc
Nominal Running Current	= 0.100 amps
Running Power	= 1.2 watts
Average Speed	= 6000 RPM
Bearings	= Ball
Air Flow	= 6.8 CFM
Acoustic	= 27.5 dBA

Construction:

Venturi: Plastic, Black, UL 94V-0
Propeller: Plastic, Black, UL 94V-0

Life Expectancy:

This fan is designed for continuous duty life of 50,000 hours at 25°C.

Additional Features:

Brushless DC Motor
Locked Rotor Protection
Polarity Protected
Automatic Restart Capability
EMI Compliant
Operating Temperature: -10°C to 70°C
Storage Temperature: -40°C to 75°C

Termination:

300 mm Leadwires, AWG 24, UL 1007
Red = Power (+)
Black = Return (-)

Agency Approvals:

UL, CUL, TUV, CE