

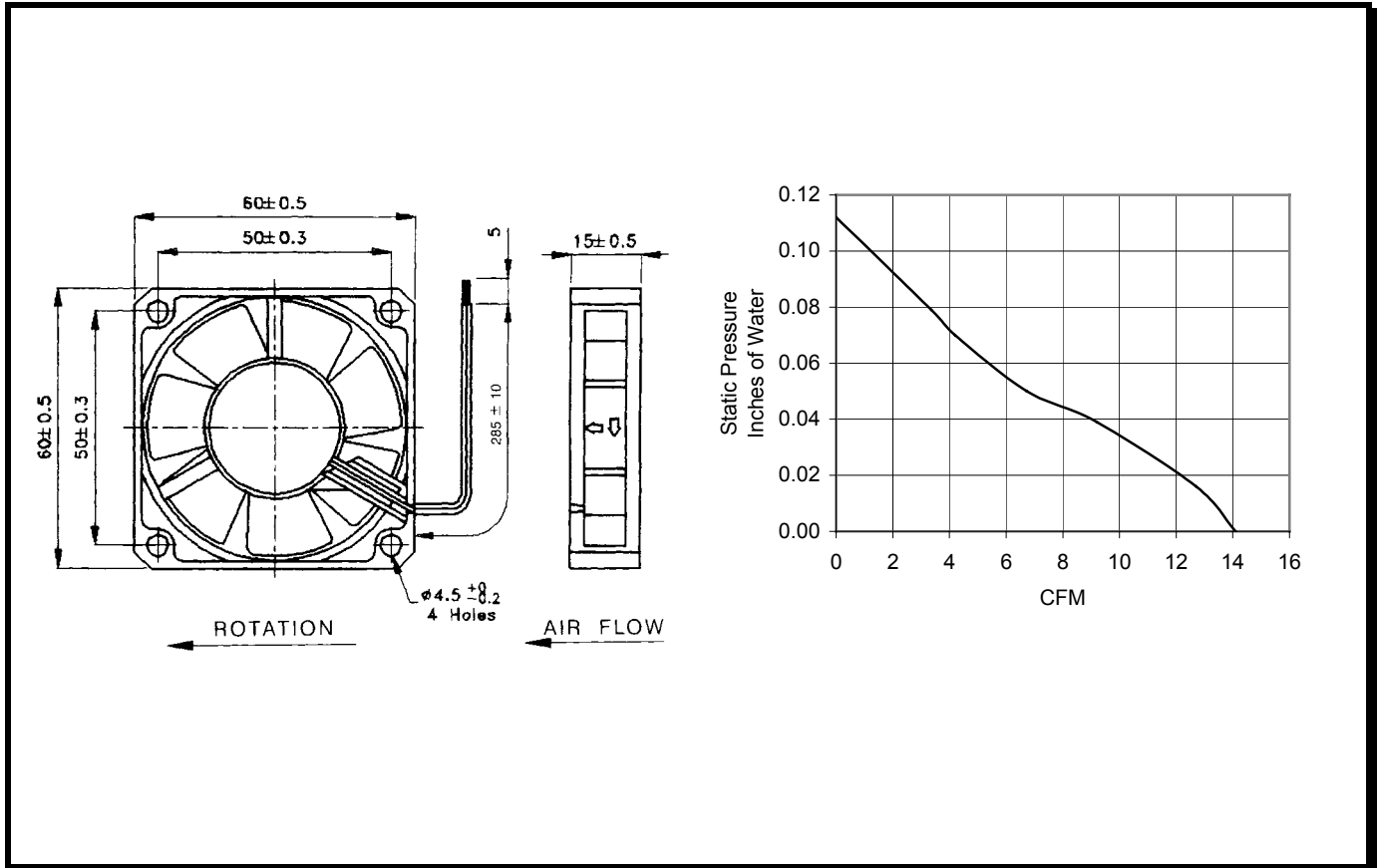
SPECIFICATIONS



Model Number: CR0605MB-D71GL
Part Number: 032684

August 7, 2001

Mechanical Drawing:



Motor:

Nominal Voltage = 5 Vdc
Operating Voltage Range = 4.5 – 5.5 Vdc
Nominal Running Current = 0.250 amps
Running Power = 1.25 Watts
Average Speed = 3900 rpm
Bearings = Ball
Air Flow = 14.0 CFM
Acoustic = 28.8 dBA

Construction:

Venturi: Plastic, Black, UL94V-0
Propeller: Plastic, Black, UL94V-0

Life Expectancy:

This fan is designed for continuous duty life of 50,000 hours at 25°C

Additional Features:

Brushless DC Motor
Locked Rotor Protection
Polarity Protected
Automatic Restart Capability
Operating Temperature: -10°C to +70°C
Storage Temperature: -40°C to +75°C

Termination:

300 mm Lead wires, AWG 24, UL1007

Red = Power (+)
Black = Return (-)

Agency Approvals:

UL, CUR, TUV, CE