

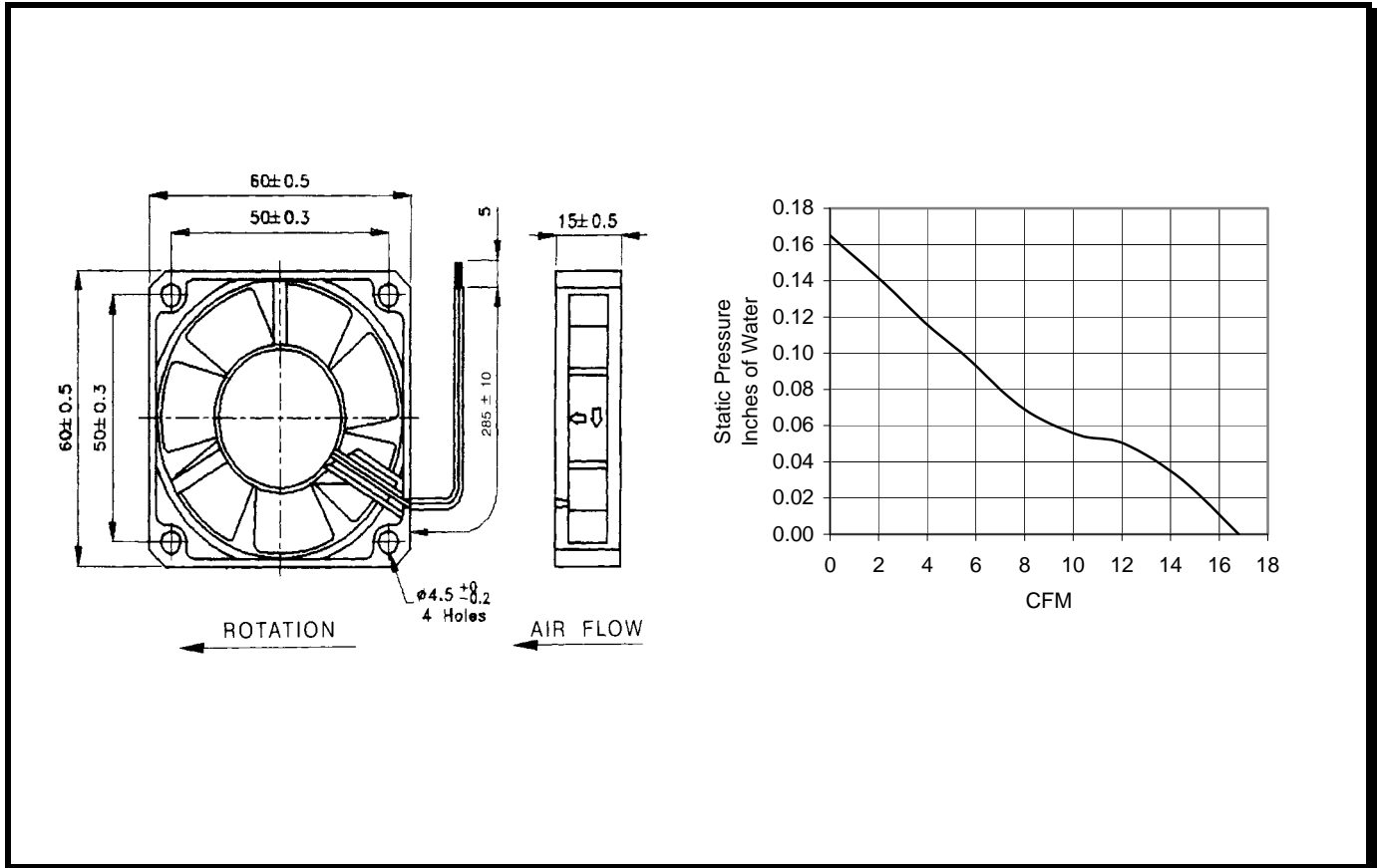
# SPECIFICATIONS



Model Number: CR0624MB-D71GL  
Part Number: 032692

November 9, 2004

## Mechanical Drawing:



### Motor:

Nominal Voltage = 24 vdc  
Operating Voltage Range = 21.6- 26.4 vdc  
Nominal Running Current = 0.070 amps  
Running Power = 1.68 watts  
Average Speed = 3900 RPM  
Bearings = Ball  
Air Flow = 14.0 CFM  
Acoustic = 28.8 dBA

### Construction:

Venturi: Plastic, Black, UL 94V-0  
Propeller: Plastic, Black, UL 94V-0

### Life Expectancy:

This fan is designed for continuous duty life of 50,000 hours at 25°C.

### Additional Features:

Brushless DC Motor  
Locked Rotor Protection  
Polarity Protected  
Operating Temperature: -10°C to 70°C  
Storage Temperature: -40°C to 75°C

### Termination:

300mm Leadwires, 22 AWG  
Red = Power (+)  
Black = Ground (-)

### Agency Approvals:

UL, CUR, TUV, CE