

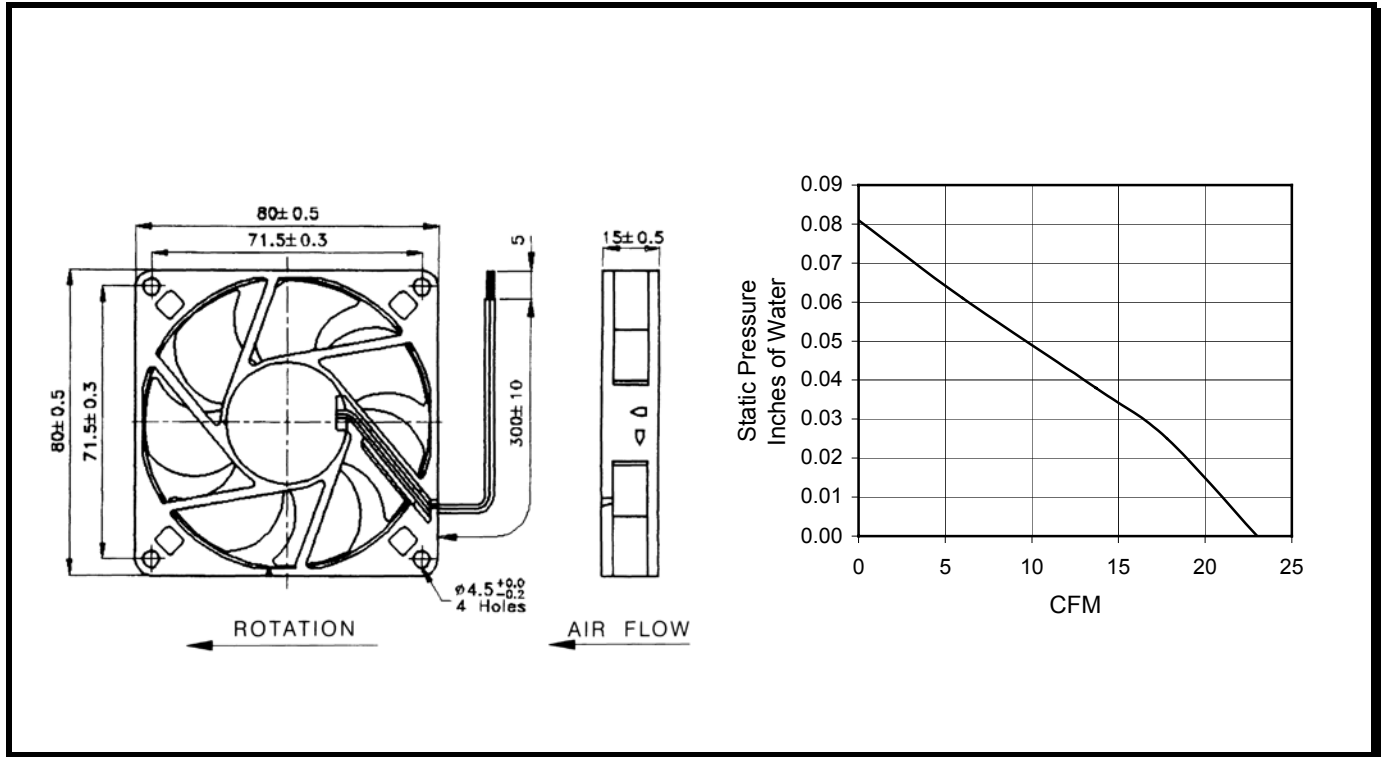
# SPECIFICATIONS



Model Number: CR0824MB-D71  
Part Number: 032724

August 13, 2001

## Mechanical Drawing:



### Motor:

Nominal Voltage = 24 VDC  
Operating Voltage Range = 21.6-26.4 VDC  
Nominal Running Current = 0.100 amps  
Running Power = 2.40 watts  
Average Speed = 2440 rpm  
Bearings = Ball  
Air Flow = 22.0 cfm  
Acoustics = 26.0 dBA

### Construction:

Venturi: Plastic, Black, UL 94V-0  
Propeller: Plastic, Black, UL 94V-0

### Life Expectancy:

This fan is designed for continuous duty life of 50,000 hours at 25°C

### Additional Features:

Brushless DC Motor  
Locked Rotor Protection  
Polarity Protected  
Automatic Restart Capability  
Operating Temperature: -10°C to +70°C  
Storage Temperature: -40°C to +75°C

### Termination:

300 mm Leadwires, AWG 24, UL 1007  
Red = Power (+)  
Black = Return (-)

### Agency Approvals:

TUV, CE