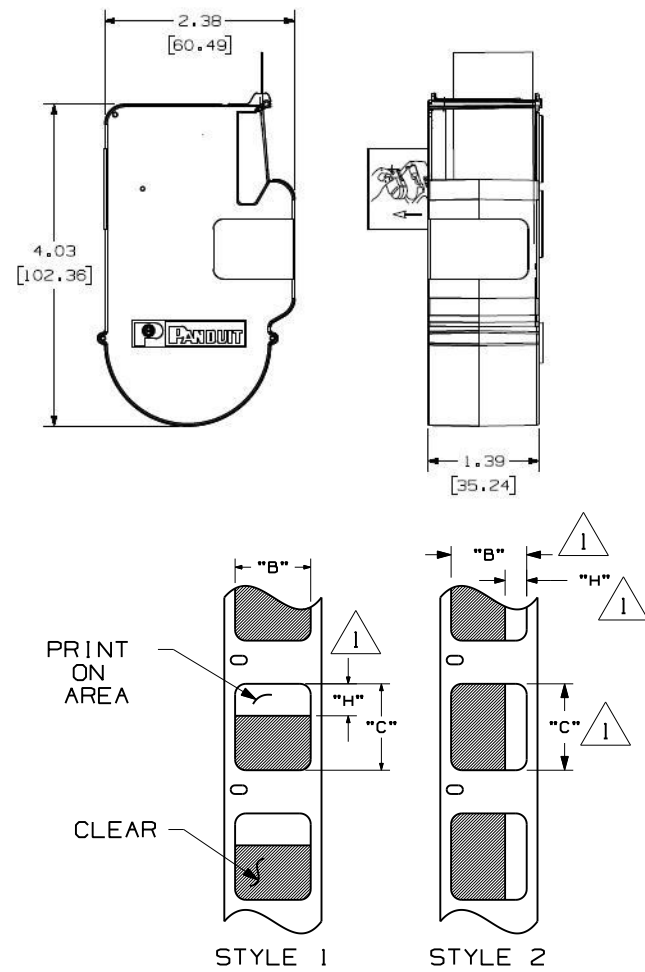


THIS COPY IS PROVIDED ON A RESTRICTED BASIS AND IS NOT TO BE USED IN ANY WAY DETRIMENTAL TO THE INTERESTS OF PANDUIT CORP.

PANDUIT PART NO.	APPLICATION	MATERIAL	STYLE	"B"	"C"	"H" +/- .050	COLOR (PRINT ON AREA)	LABELS/ ROLL
S050X075VAC	18-14 AWG WIRES	GMV15	2	0.75 (19.05)	0.50 (12.70)	0.25 (6.35)	WHITE	450
S050X125VAC	12-10 AWG WIRES	GMV15	1	0.50 (12.70)	1.25 (31.75)	0.38 (9.65)	WHITE	225
S050X150VAC	CAT. 5e/ CAT. 6 CABLE	GMV15	1	0.50 (12.70)	1.50 (38.10)	0.50 (12.70)	WHITE	200
S075X075VAC	18-14 AWG WIRES	GMV15	1	0.75 (19.05)	0.75 (19.05)	0.25 (6.35)	WHITE	350
S075X100VAC	12-10 AWG WIRES	GMV15	1	0.75 (19.05)	1.00 (25.40)	0.38 (9.65)	WHITE	275
S075X125VAC	12-10 AWG WIRES	GMV15	1	0.75 (19.05)	1.25 (31.75)	0.38 (9.65)	WHITE	225
S075X150VAC	CAT. 5e/ CAT. 6 CABLE	GMV15	1	0.75 (19.05)	1.50 (38.10)	0.50 (12.70)	WHITE	200
S100X075VAC	18-14 AWG WIRES	GMV15	1	1.00 (25.40)	0.75 (19.05)	0.25 (6.35)	WHITE	350
S100X125VAC	12-10 AWG WIRES	GMV15	1	1.00 (25.40)	1.25 (31.75)	0.38 (9.65)	WHITE	225
S100X150VAC	CAT. 5e/ CAT. 6 CABLE	GMV15	1	1.00 (25.40)	1.50 (38.10)	0.50 (12.70)	WHITE	200
S100X160VAC	NWSLC-2Y AND NWSLC-3Y	GMV15	1	1.00 (25.40)	1.60 (40.64)	0.80 (20.32)	WHITE	175
S100X220VAC	NWSLC-7Y	GMV15	1	1.00 (25.40)	2.20 (55.88)	1.10 (27.94)	WHITE	125
S100X150VBC	CAT. 5e/ CAT. 6 CABLE	GMV15	1	1.00 (25.40)	1.50 (38.10)	0.50 (12.70)	BLUE	200
S100X150VDC	CAT. 5e/ CAT. 6 CABLE	GMV15	1	1.00 (25.40)	1.50 (38.10)	0.50 (12.70)	GREEN	200
S100X150VHC	CAT. 5e/ CAT. 6 CABLE	GMV15	1	1.00 (25.40)	1.50 (38.10)	0.50 (12.70)	RED	200
S100X150VIC	CAT. 5e/ CAT. 6 CABLE	GMV15	1	1.00 (25.40)	1.50 (38.10)	0.50 (12.70)	YELLOW	200
S100X225VAC	8-4 AWG CABLE	GMV15	1	1.00 (25.40)	2.25 (57.15)	0.75 (19.05)	WHITE	125
S100X225VBC	8-4 AWG WIRES	GMV15	1	1.00 (25.40)	2.25 (57.15)	0.75 (19.05)	BLUE	125
S100X225VDC	8-4 AWG WIRES	GMV15	1	1.00 (25.40)	2.25 (57.15)	0.75 (19.05)	GREEN	125
S100X225VHC	8-4 AWG WIRES	GMV15	1	1.00 (25.40)	2.25 (57.15)	0.75 (19.05)	RED	125
S100X225VIC	8-4 AWG WIRES	GMV15	1	1.00 (25.40)	2.25 (57.15)	0.75 (19.05)	YELLOW	125
S100X400VAC	1-2 AWG WIRES	GMV15	1	1.00 (25.40)	4.00 (101.60)	1.00 (25.40)	WHITE	75
S100X650VAC	1/0-250 MCM WIRES	GMV15	1	1.00 (25.40)	6.50 (165.10)	1.50 (38.10)	WHITE	50



NOTES:  
1. DIMENSIONS IN [ ] ARE IN MILLIMETERS.

CAD FILENAME/LAYERS  
1007435Q\_DC\_C10694/09A

**PANDUIT** CORP. TINLEY PARK, ILLINOIS

CUSTOMER DRAWING  
P1 LABEL CASSETTE  
SELF-LAMINATING LABEL

UNLESS OTHERWISE SPECIFIED,  
DIMENSIONAL TOLERANCES ARE:  
(.X) ± .1 (XXX) ± .025  
(.XX) ± .030 ANGLES ±

UNLESS OTHERWISE SPECIFIED,  
ALL DIMENSIONS ARE GIVEN  
IN INCHES, THIRD ANGLE PROJECTION.

SCALE: **NTS**

DRAWING NO. **C10694**

DWG SIZE **A**

DRAWN BY: RVU  
DATE: 4/22/08  
CHK'D

MAT'L: SEE TABLE

REV	DATE	BY	CHK	DESCRIPTION	ECN	R	CUST	SUP
1	7/22/09	RVU		IN TABLE: "H" WAS "E"; DWG. STYLE 1: "H" WAS "E". DWG. STYLE 2: "B" WAS "C" & "H" WAS "E". CHG. FROM "PART DESCRIPTION" TO "APPLICATION".	5583		R	
0	4/21/08	RVU		DRAWING RELEASE	5403		R	