



Energy Division

## Crompton Instruments Tegra 710 and 810 Digital Metering System

# Tegra 710 and 810 Digital Metering System

The Tegra 710 and 810 multi-function digital metering systems display and communicate major electrical parameters. To suit user requirements the range includes single-phase, three-phase three-wire and three-phase four-wire capabilities under low voltage with unbalanced loads.

## Operation

The digital meters are available in 4 module DIN-rail or DIN 72 panel mounted enclosure and display up to 57 electrical parameters including the true rms values, selectable CT and VT ratios and monitor current, voltage, power factor, phase angle, active/reactive energy, and frequency values. The simple menu-driven interface offers three reading modes (phase parameters, system parameters and maximum parameter values).

## Programmable Display

The interface programme buttons enable simple programming of CT and VT ratios settings, configuration of selected communication options and adjustment of operating parameters.

## System Input

Designed for all low and medium voltage switchgear and distribution systems, the Tegra 710 and 810 DMS offer programmable VT and CT ratio capability and direct connection up to 500V ac with 5A CT inputs.

## System Output

The standard version of Tegra 710 and Tegra 810 offers two independently programmable relay outputs (2A, 250V) that can be configured to produce either a pulsed output or can be individually programmed to be associated to the measured parameters. (Operating value, latching, alarm mode, relay operating mode, set-point value, differential value, relay activation delay).

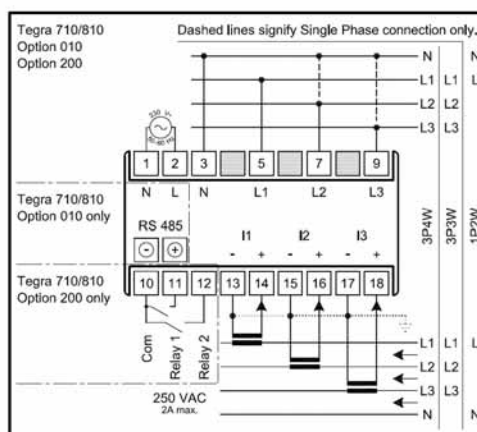
## Digital Communications

Tegra 710 and Tegra 810 DMS offer optional RS485 communication port for direct connection to SCADA systems using the Modbus RTU protocol. Remote monitoring enables user to record system parameters in real time, using high resolution numbers.

## Product Codes

Description	Cat. no.
DIN-rail, 4-module LCD display 50-500V L-L, 0.25-6A ac, Aux. 230V ac, 2 relay O/P	TEGRA-710-200
DIN-rail 4-module LCD Display 50-500V L-L, 0.25-6A ac, Aux. 230V ac, RS-485 Modbus O/P	TEGRA-710-010
72mm Panel Mounted LCD Display 50-500V L-L, 0.25-6A ac, Aux. 230V ac, 2 Relay O/P	TEGRA-810-200
72mm Panel Mounted LCD Display 50-500V L-L, 0.25-6A ac, Aux. 230V ac, RS-485 Modbus O/P	TEGRA-810-010

## Connections



## Features

- LCD, backlight control
- Fully programmable VT and CT ratios
- Current demand per phase
- Resettable active energy meter
- Resettable reactive energy meter
- Programmable relay outputs
- Modbus RTU

## Benefits

- Compact design
- True rms measurement
- Menu-driven interface
- Import, export monitoring

## Measured Parameters

- System volts
- System current
- System active power
- System apparent power
- System reactive power
- Phase - neutral voltages (VL-N)
- Phase - phase voltages (VL-L)
- Phase - phase current
- Frequency (of voltage V1)
- Active power per phase
- Apparent power per phase
- Reactive power per phase
- Power factor (PF)
- Total active energy Wh
- Total reactive energy VARh
- Phase angle
- Mean and peak values
- Time and date
- Hours run

## Technical Specification

### Inputs

Nominal rated input voltage	50 – 500V ac L-L (30-300V L-N) 50/60Hz
Nominal input voltage burden	< 2 VA
Nominal rated input current	0.25 – 6A ac rms
Nominal input current burden	< 2 VA
System CT primary values	1-9999 A (secondary 5 A)
System VT primary values	1-9999 V (secondary 230 V)

### Auxiliary

Standard supply voltage	195.5V – 253V ac 50/60Hz
Supply burden	<4 VA

### Measuring ranges

Values of measured quantities for which accuracy is defined.

Voltage	30 – 550V (minimum voltage 10V)
Current	0.25 – 6A (minimum current 20 mA)
Frequency	47 – 63Hz
Power factor	0.2 IND – 0.2 CAP
Power	100 MW per phase
Energy	100 MWh

### Accuracy

Voltage	0.5 % ± 1 digit
Current	0.5 % ± 1 digit
Frequency	± 0.1Hz
Power factor	± 3 digit
Active power (W)	1% ± 1 digit
Reactive power (var)	1 % ± 1 digit
Apparent power (VA)	1 % ± 1 digit
Active energy (Wh)	Class 2
Reactive energy (varh)	Class 3
Ambient temperature	20°C
Input frequency	50/60Hz
Input waveform	Sinusoidal
Auxiliary supply voltage	230V
Auxiliary supply frequency	50/60Hz
Magnetic field of external origin	Terrestrial flux.

### Standards

EMC Emissions	EN 61000-6-3
EMC Immunity	EN 61000-6-2
Safety	EN 61010-1

### Insulation

CT primary to voltage circuits	Principal (EN61010-1)
Relay "contact" to voltage circuits	Reinforced (EN 61010-1)
RS485 to voltage circuits	Reinforced (EN 61010-1)
Analogue to voltage circuits	N/A
Auxiliary supply to voltage circuits	Principal (EN 61010-1)

### Environmental

Operating temperature	0 to +50°C *
Storage temperature	-20 to +60°C *
Relative humidity	10 - 90 % non condensing
Warm up time	1 minute
Shock	0.5 J

\* Maximum operating and storage temperatures are in the context of typical daily and seasonal variation. This product is not designed for permanent operation or long term storage at maximum specified temperatures.

### Enclosure

Sealing	IP 40 (54 front side installed)
Mounting	DIN-rail 4 modules, panel mounting version 72mm DIN-rail mounting, plastic moulded case. ABS + polycarbonate alloy UL94-V0
Weight	0.25 kg DIN-rail and panel mounting (Overall)

### Serial Communications Option

Baud rate	Max 9600 bps (programmable)
Parity	None, Odd or Even
Protocol	Modbus RTU (RS485)

### Active Energy or Reactive Energy Pulsed Output Option

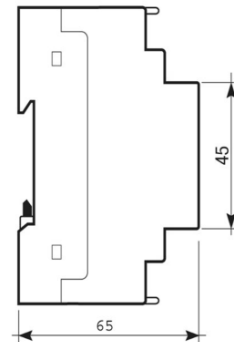
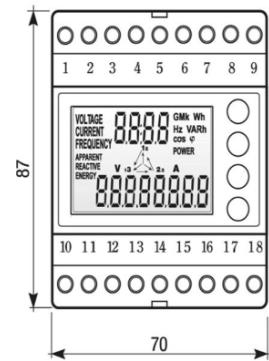
Default pulse rate	1 pulse each "20 x primary CT" Wh or varh for VT primary till 230 V 1 pulse each "40 x primary CT" Wh or varh for VT primary from 230 V to 580 V
Pulsed Output	Relay (Free contact)
Pulsed Duration	100 ms
Pulsed Rating	

### Reference conditions of influence quantities

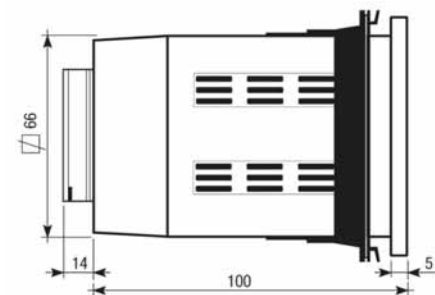
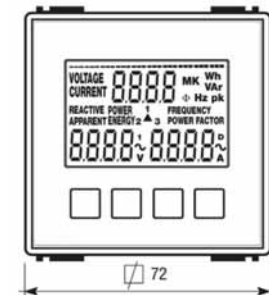
Influence quantities are variables which affect measurement errors to a minor degree. Accuracy is verified under nominal value (within specified tolerance) of these conditions.

## Dimensions

### Tegra 710



### Tegra 810



## Energy Division

With 4000 employees and more than 10,000 customers world-wide, the Energy Division represents a very significant part of Tyco Electronics. Based in headquarters in Ottobrunn, near Munich, Germany, the Energy Division is a global supplier to power utilities and power industry customers, to equipment manufacturers and transport systems. These customers are served by dedicated R&D teams, sales representatives in more than 80 countries, a professional marketing organization and 25 manufacturing sites in five continents.

While Tyco Electronics and its affiliates referenced herein have made every reasonable effort to ensure the accuracy of the information contained in this catalog, Tyco Electronics cannot assure that this information is error free. For this reason, Tyco Electronics does not make any representation or offer any guarantee that such information is accurate, correct, reliable or current. Tyco Electronics reserves the right to make any adjustments to the information at any time. Tyco Electronics expressly disclaims any implied warranty regarding the information contained herein, including, but not limited to, the implied warranties of merchantability or fitness for a particular purpose. Tyco Electronics' only obligations are those stated in Tyco Electronics' Standard Terms and Conditions of Sale. Tyco Electronics will in no case be liable for any incidental, indirect or consequential damages arising from or in connection with, including, but not limited to, the sale, resale, use or misuse of its products. Users should rely on their own judgement to evaluate the suitability of a product for a certain purpose and test each product for its intended application. TE logo and Tyco Electronics are trademarks. CROMPTON is a trademark of Crompton Parkinson Ltd. and is used by Tyco Electronics under licence. Other trademarks or company names used herein are the property of respective owners.

**Energy Division – economical solutions for the electrical power industry: cable accessories, connectors & fittings, electrical equipment, instruments, lighting controls, insulators & insulation enhancement and surge arresters.**

**Tyco Electronics UK Ltd**  
Energy Division  
Freebournes Road  
Witham, Essex CM8 3AH

Phone: +44 (0)870 870 7500  
Fax: +44 (0)870 240 5287  
Email: [electrical@tycoelectronics.com](mailto:electrical@tycoelectronics.com)

[www.crompton-instruments.com](http://www.crompton-instruments.com)  
<http://energy.tycoelectronics.com>

 **Tyco Electronics**  
Our commitment. Your advantage.