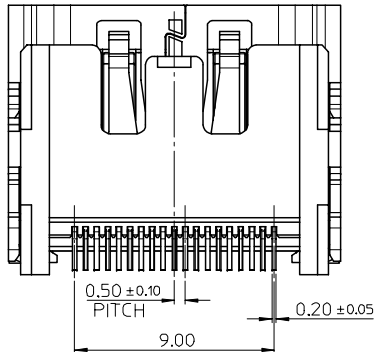
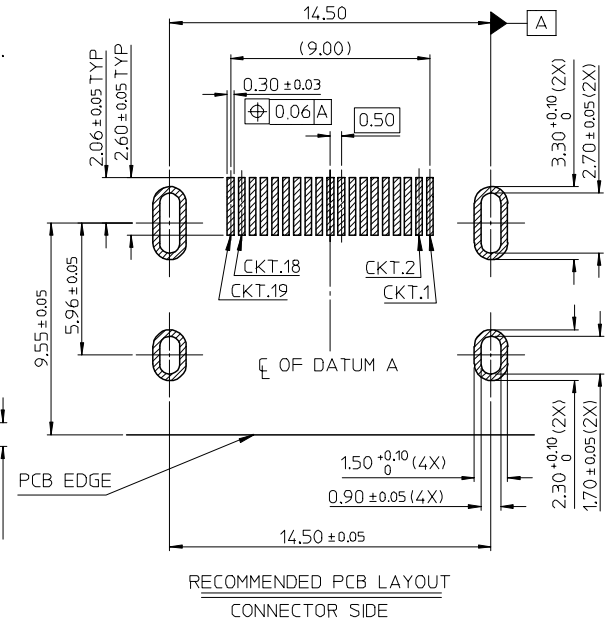
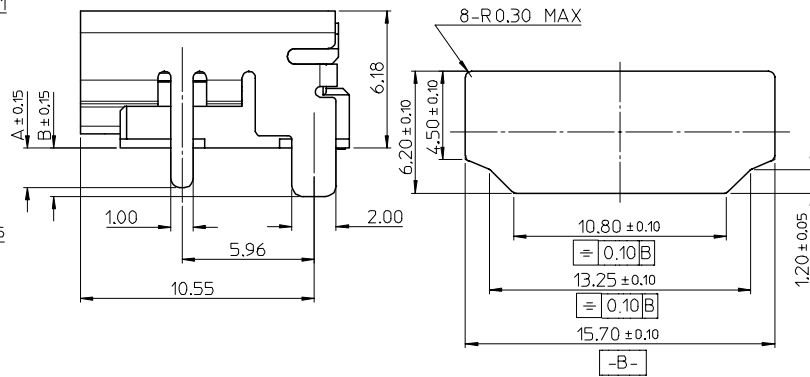
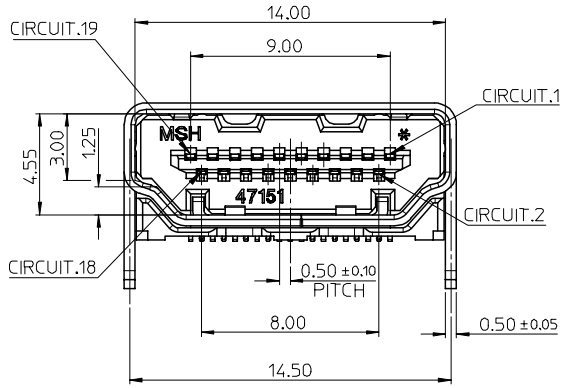
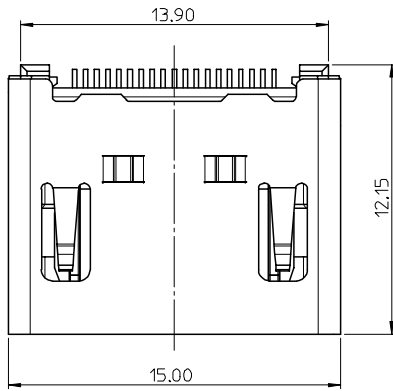
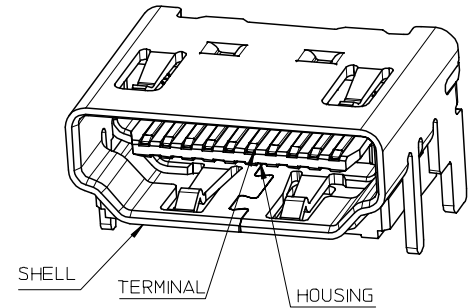


10 9 8 7 6 5 4 3 2 1

NOTES:

1. MATERIAL:
  - HOUSING: HIGH TEMPERATURE THERMAL PLASTIC. COLOR: SEE TABLE.
  - SHELL: COPPER ALLOY.
  - TERMINAL: COPPER ALLOY.
2. PLATING:
  - TERMINAL:
    - CONTACT AREA: (1) 0.76 MICROMETER MIN. GOLD PLATING.
    - (2) 0.25 MICROMETER MIN. GOLD PLATING.
    - (3) GOLD FLASH.
    - (4) 0.375 MICROMETER MIN. GOLD PLATING.
  - SOLDER AREA: 1 MICROMETER MIN. TIN-BISMUTH ALLOY PLATED.
  - UNDER PLATE: 1.27 MICROMETER MIN. NICKEL.
  - SHELL: (a) 1.27 MICROMETER MIN. SOLDERABLE NICKEL PLATE OVERALL.
  - (b) GOLD FLASH PLATING OVER 1.27 MICROMETER MIN. NICKEL PLATING OVERALL.
3. COPLANARITY IS 0.1MM MAX.
4. PRODUCT SPECIFICATION REFER TO PS-47152-001.
5. PACKAGE SPECIFICATION FOR WITHOUT FLANGE REFER TO PK-47151-001.



RECOMMENDED PANEL CUT OUT DIMENSION

REVISED EC NO: SH2007-0873 DRWN: BCHENZ6 CHKD: JTIAN APPR: JNCHEH	DESCRIPTION 2007/06/08 2007/06/08 2007/06/22	QUALITY SYMBOLS	GENERAL TOLERANCES (UNLESS SPECIFIED)	DIMENSION STYLE	SCALE	DESIGN UNITS	THIRD ANGLE PROJECTION	
		▽=0 ∇=0	mm INCH	MM ONLY	5:1	METRIC		
			4 PLACES ± --- ± --- 3 PLACES ± --- ± --- 2 PLACES ± 0.25 ± --- 1 PLACE ± --- ± ---		DRAWN BY RZHANG CHECKED BY GRMA APPROVED BY YTYAP	DATE 2004/07/20 DATE 2004/07/20 DATE 2004/07/20	TITLE	
			ANGULAR ± 3 °		MATERIAL NO.	DOCUMENT NO.	SHEET NO.	
		DRAFT WHERE APPLICABLE MUST REMAIN WITHIN DIMENSIONS	SEE SHEET 6			1.0 HDMI RIGHT ANGLE HEADER ASSEMBLY (19 PIN) LEAD FREE	1 OF 7	
						MOLEX INCORPORATED		
						SD-47151-001		

9 8 7 6 5 4 3 2 1

10 9 8 7 6 5 4 3 2 1

F

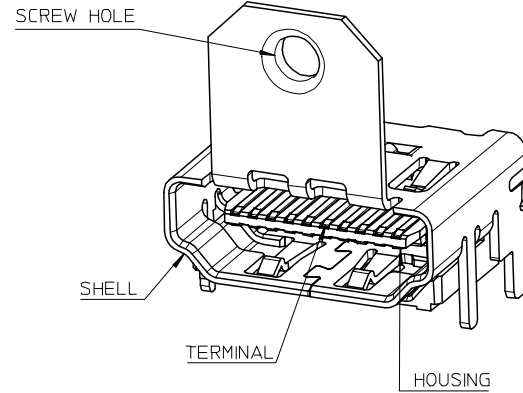
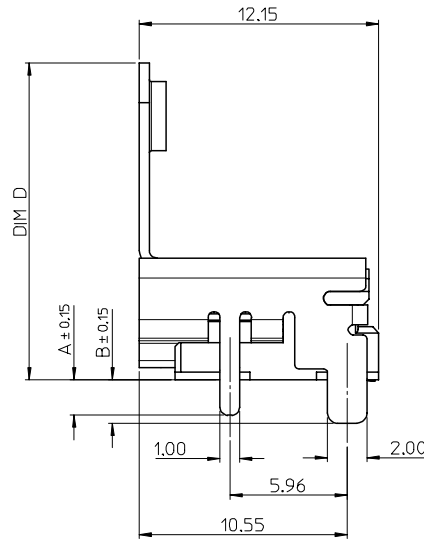
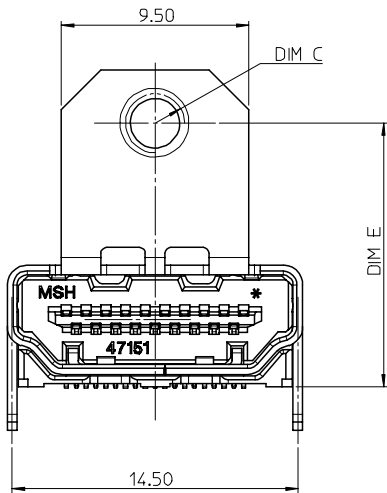
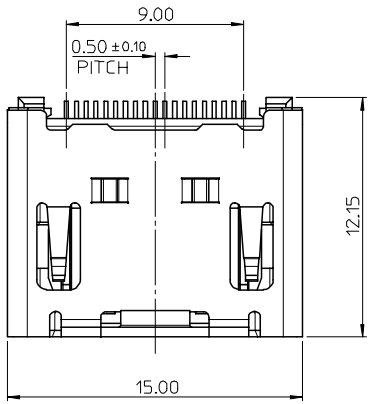
E

D

C

B

A



NOTES:

1. THE UNSPECIFIED DIMENSIONS REFER TO SHEET 1.
2. PACKAGE SPECIFICATION FOR WITH FLANGE REFER TO PK-47151-002.

REVISED	DESCRIPTION
EC NO: SH2007-0873	2007/06/08
DRWN: BCHENZ6	2007/06/08
CHKD: JTIAN	2007/06/08
APPR: JNCHEN	2007/06/22

QUALITY SYMBOLS	DESCRIPTION
▽=0	
△=0	

GENERAL TOLERANCES (UNLESS SPECIFIED)	
	MM ONLY
4 PLACES	± 0.15
3 PLACES	± 0.20
2 PLACES	± 0.25
1 PLACE	± 0.30
ANGULAR ± 3°	
DRAFT WHERE APPLICABLE MUST REMAIN WITHIN DIMENSIONS	

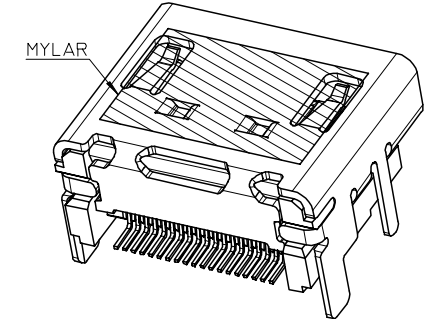
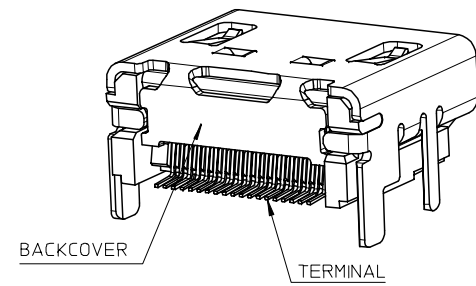
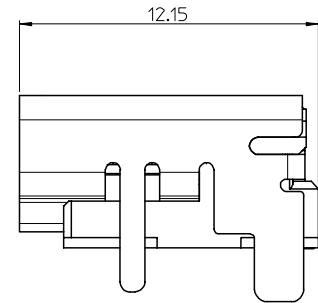
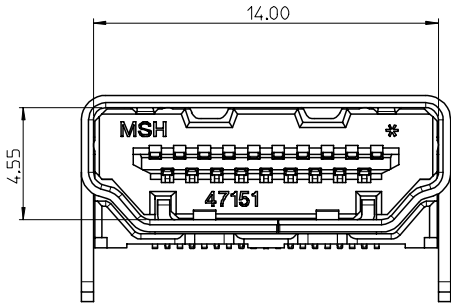
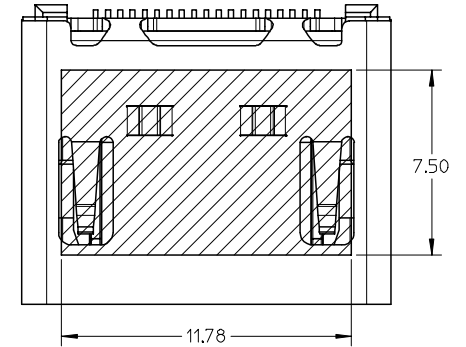
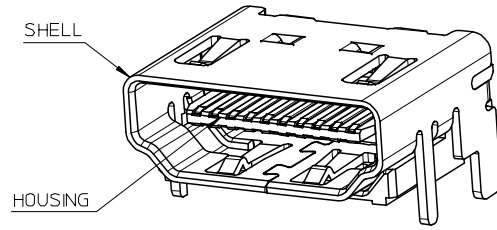
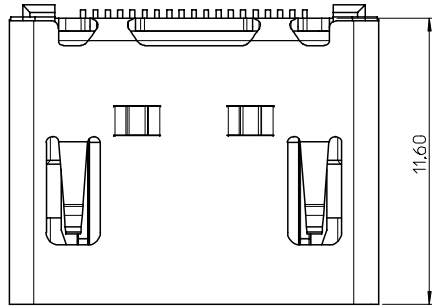
DIMENSION STYLE	
MM ONLY	
DRAWN BY	DATE
RZHANG	2004/07/20
CHECKED BY	DATE
GRMA	2004/07/20
APPROVED BY	DATE
YTYAP	2004/07/20
MATERIAL NO.	
SEE SHEET 6	

SCALE	DESIGN UNITS	THIRD ANGLE PROJECTION
5:1	METRIC	
TITLE		
1.0 HDMI RIGHT ANGLE HEADER ASSEMBLY(19 PIN) LEAD FREE		
MOLEX INCORPORATED		
DOCUMENT NO.	SHEET NO.	
SD-47151-001	2 OF 7	
SIZE		
A3 THIS DRAWING CONTAINS INFORMATION THAT IS PROPRIETARY TO MOLEX INCORPORATED AND SHOULD NOT BE USED WITHOUT WRITTEN PERMISSION		

9 8 7 6 5 4 3 2 1

10 9 8 7 6 5 4 3 2 1

WITH BACK COVER



THIS IS ONLY FOR 47151-1061/1071/1081

NOTES:

1. THE UNSPECIFIED DIMENSIONS REFER TO 47151-0001.
2. PACKAGE SPECIFICATION FOR WITHOUT FLANGE REFER TO PK-47151-001.

REVISED EC NO: SH2007-0873 DRWN: BCHENZ6 CHKD: JTIAN APPR: JNCHEH 2007/06/08 2007/06/08 2007/06/22	QUALITY SYMBOLS ▽=0 ◻=0	GENERAL TOLERANCES (UNLESS SPECIFIED)		DIMENSION STYLE MM ONLY		SCALE 5:1	DESIGN UNITS METRIC	THIRD ANGLE PROJECTION		
			mm	INCH	DRAWN BY RZHANG	DATE 2004/07/20	TITLE 1.0 HDMI RIGHT ANGLE HEADER ASSEMBLY(19 PIN) LEAD FREE			
		4 PLACES	± ---	± ---	CHECKED BY GRMA	DATE 2004/07/20	MOLEX INCORPORATED			
		3 PLACES	± ---	± ---	APPROVED BY YTYAP	DATE 2004/07/20				
2 PLACES	± 0.25	± ---	ANGULAR ± 3 °		MATERIAL NO.	DOCUMENT NO.	SHEET NO.			
1 PLACE	± ---	± ---	DRAFT WHERE APPLICABLE MUST REMAIN WITHIN DIMENSIONS		SEE SHEET 6	SD-47151-001	3 OF 7			
					THIS DRAWING CONTAINS INFORMATION THAT IS PROPRIETARY TO MOLEX INCORPORATED AND SHOULD NOT BE USED WITHOUT WRITTEN PERMISSION					

9 8 7 6 5 4 3 2 1

10 9 8 7 6 5 4 3 2 1

F

E

D

C

B

A

F

E

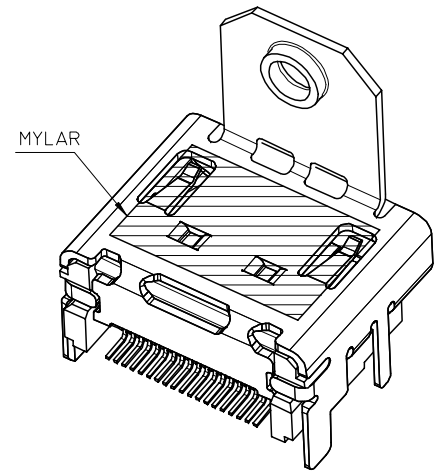
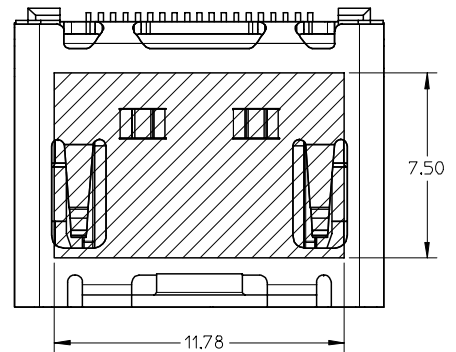
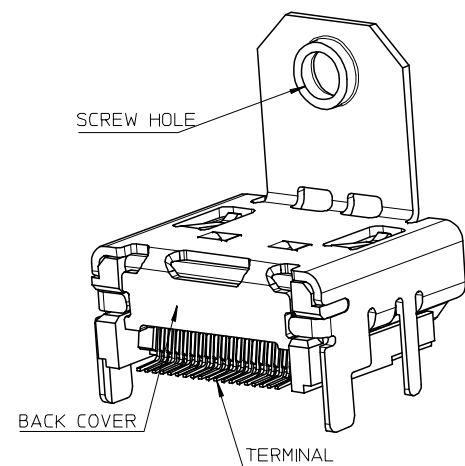
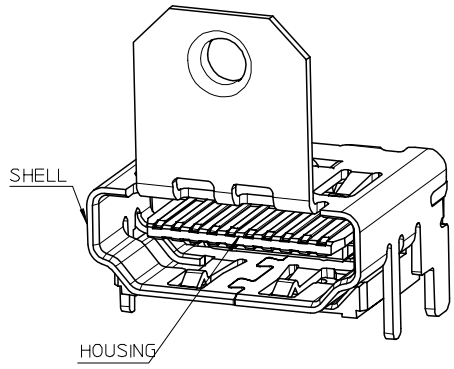
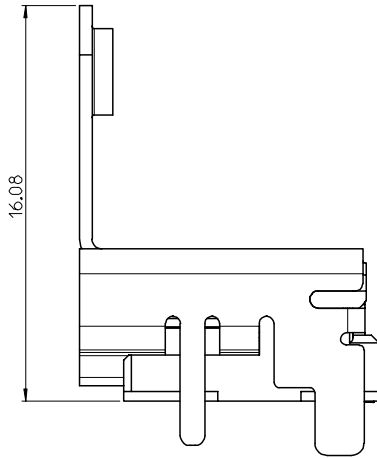
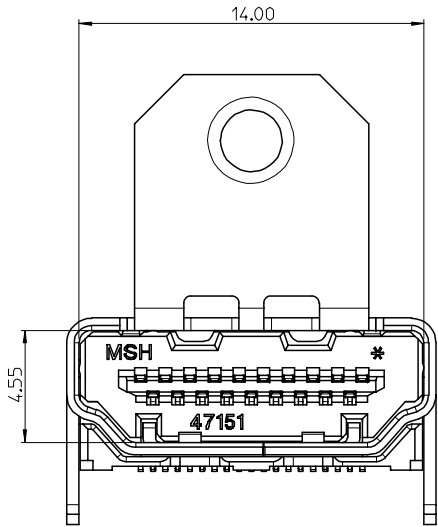
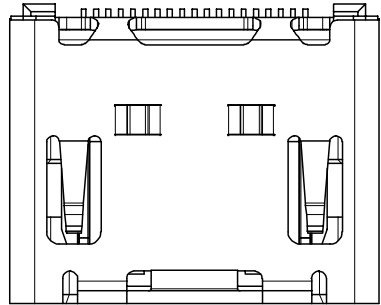
D

C

B

A

WITH BACK COVER



THIS IS ONLY FOR 47151-1025

- NOTES:
1. THE UNSPECIFIED DIMENSIONS REFER TO 47151-0002.
  2. PACKAGE SPECIFICATION FOR WITH FLANGE REFER TO PK-47151-002.

REVISED	DESCRIPTION
EC NO: SH2007-0873	2007/06/08
DRWN: BCHENZ6	2007/06/08
CHKD: JTIAN	2007/06/08
APPR: JNCHEN	2007/06/22

QUALITY SYMBOLS	GENERAL TOLERANCES (UNLESS SPECIFIED)
▽=0	
∇=0	
	mm INCH
	4 PLACES ± --- ± ---
	3 PLACES ± --- ± ---
	2 PLACES ± 0.25 ± ---
	1 PLACE ± --- ± ---
	ANGULAR ± 3 °
	DRAFT WHERE APPLICABLE MUST REMAIN WITHIN DIMENSIONS

DIMENSION STYLE		SCALE	DESIGN UNITS	THIRD ANGLE PROJECTION
MM ONLY		5:1	METRIC	
DRAWN BY	DATE	TITLE		
RZHANG	2004/07/20	1.0 HDMI RIGHT ANGLE HEADER ASSEMBLY(19 PIN) LEAD FREE		
CHECKED BY	DATE			
GRMA	2004/07/20			
APPROVED BY	DATE			
YTYAP	2004/07/20			
MATERIAL NO.	DOCUMENT NO.	SHEET NO.		
SEE SHEET7	SD-47151-001	4 OF 7		

MOLEX INCORPORATED	
THIS DRAWING CONTAINS INFORMATION THAT IS PROPRIETARY TO MOLEX INCORPORATED AND SHOULD NOT BE USED WITHOUT WRITTEN PERMISSION	

9 8 7 6 5 4 3 2 1

10 9 8 7 6 5 4 3 2 1

F

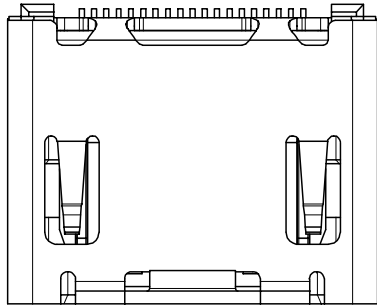
E

D

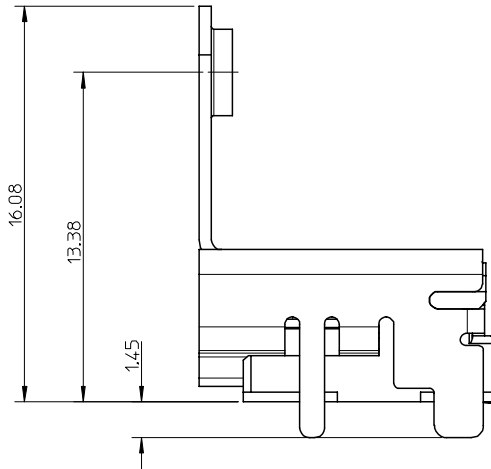
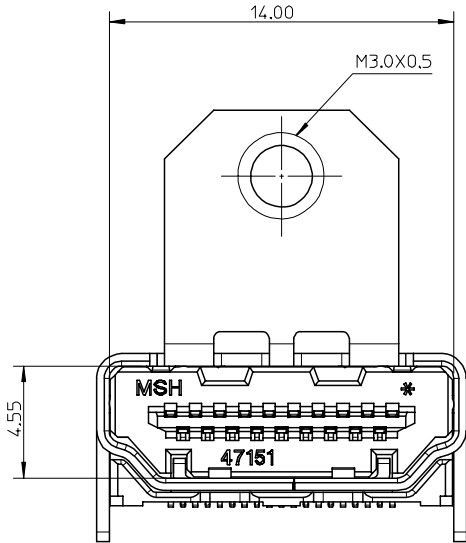
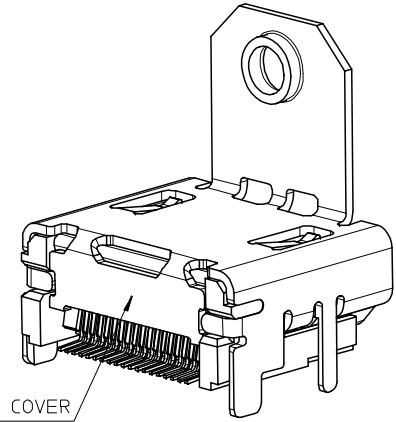
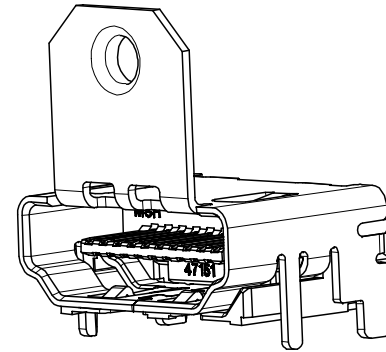
C

B

A



WITHOUT TOP HOLE



NOTES:  
1. THE UNSPECIFIED DIMENSIONS REFER TO 47151-1102.

REVISED	DESCRIPTION
EC NO: SH2007-0873	2007/06/08
DRWN: BCHENZ6	2007/06/08
CHKD: JTIAN	2007/06/08
APPR: JNCHEN	2007/06/22

QUALITY SYMBOLS	DESCRIPTION
▽=0	
∇=0	

GENERAL TOLERANCES (UNLESS SPECIFIED)	
mm	INCH
4 PLACES ± ---	± ---
3 PLACES ± ---	± ---
2 PLACES ± 0.25	± ---
1 PLACE ± ---	± ---
ANGULAR ± 3 °	
DRAFT WHERE APPLICABLE MUST REMAIN WITHIN DIMENSIONS	

DIMENSION STYLE	
MM ONLY	
DRAWN BY	DATE
RZHANG	2004/07/20
CHECKED BY	DATE
GRMA	2004/07/20
APPROVED BY	DATE
YTYAP	2004/07/20
MATERIAL NO.	
SEE SHEET 7	

SCALE	DESIGN UNITS	THIRD ANGLE PROJECTION
5:1	METRIC	☉ □
TITLE		
1.0 HDMI RIGHT ANGLE HEADER ASSEMBLY(19 PIN) LEAD FREE		
MOLEX INCORPORATED		
DOCUMENT NO.	SHEET NO.	
SD-47151-001	5 OF 7	
THIS DRAWING CONTAINS INFORMATION THAT IS PROPRIETARY TO MOLEX INCORPORATED AND SHOULD NOT BE USED WITHOUT WRITTEN PERMISSION		

9 8 7 6 5 4 3 2 1

ASSEMBLY NO.	DIMENSION					FEATURE				HOUSING COLOR	GOLD PLATING IN CONTACT AREA	SHELL PLATING	REMARK		
	DIM A	DIM B	DIM C	DIM D	DIM E	FANGE	BACK COVER	TOP HOLES	MYLAR						
47151-0001	1.80	2.20	/	/	/	W/O	W/O			W/O	BLACK	SEE NOTE 2 (1)	SEE NOTE 2 (a)	FOR SHEET 1	
47151-0051											BLACK	SEE NOTE 2 (3)			
47151-0011											NATURE				
47151-0021											BLACK				
47151-0031											NATURE	SEE NOTE 2 (1)	SEE NOTE 2 (b)		
47151-0101	BLACK		SEE NOTE 2 (a)												
47151-0151	BLACK	SEE NOTE 2 (3)													
47151-0111	NATURE														
47151-0121	BLACK	SEE NOTE 2 (1)	SEE NOTE 2 (b)												
47151-0131	NATURE														
47151-0002	1.80	2.20	M3.0X0.5	16.08	13.38	WITH	W/O			W/O	BLACK	SEE NOTE 2 (1)	SEE NOTE 2 (a)	FOR SHEET 2	
47151-0012											NATURE				
47151-0022											BLACK		SEE NOTE 2 (b)		
47151-0032											NATURE				
47151-0102											BLACK	SEE NOTE 2 (1)	SEE NOTE 2 (a)		
47151-0112	NATURE														
47151-0122	BLACK		SEE NOTE 2 (b)												
47151-0132	NATURE														
47151-6002	1.80	2.20		14.25	11.28						BLACK	SEE NOTE 2 (a)			
47151-6102	1.45	1.45									BLACK				
47151-1001	1.80	2.20	/	/	/	W/O	WITH			W/O	BLACK	SEE NOTE 2 (1)		FOR SHEET 3	
47151-1061											WITH	BLACK	SEE NOTE 2 (2)		SEE NOTE 2 (a)
47151-1041											W/O	BLACK			
47151-1071											WITH	BLACK			
47151-1051											W/O	BLACK	SEE NOTE 2 (3)		
47151-1081	WITH	BLACK													
47151-1011	NATURE														
47151-1021	BLACK	SEE NOTE 2 (1)	SEE NOTE 2 (b)												
47151-1031	NATURE														
47151-1101	BLACK														
47151-1141	BLACK	SEE NOTE 2 (2)	SEE NOTE 2 (a)												
47151-1151	BLACK	SEE NOTE 2 (3)													
47151-1111	NATURE														
47151-1121	BLACK	SEE NOTE 2 (1)	SEE NOTE 2 (b)												
47151-1131	NATURE														



<b>REVISED</b> EC NO: SH2007-0873 DRWN: BCHENZ6 CHKD: JTIAN APPR: JNCHEN	2007/06/08 2007/06/08 2007/06/22	QUALITY SYMBOLS  	GENERAL TOLERANCES (UNLESS SPECIFIED)		DIMENSION STYLE MM ONLY		SCALE 1:1	DESIGN UNITS METRIC	THIRD ANGLE PROJECTION		
										DRAWN BY: RZHANG DATE: 2004/07/20 CHECKED BY: GRMA DATE: 2004/07/20 APPROVED BY: YTYAP DATE: 2004/07/20	
			4 PLACES	± ---	± ---	± ---	± ---	± ---	± ---		
			3 PLACES	± ---	± ---	± ---	± ---	± ---	± ---		
2 PLACES	± 0.25	± ---	± ---	± ---	± ---	± ---	MATERIAL NO. SEE TABLE DOCUMENT NO. SD-47151-001 SHEET NO. 6 OF 7				
1 PLACE	± ---	± ---	± ---	± ---	± ---	± ---					
			ANGULAR ± 3 °		DRAFT WHERE APPLICABLE MUST REMAIN WITHIN DIMENSIONS		THIS DRAWING CONTAINS INFORMATION THAT IS PROPRIETARY TO MOLEX INCORPORATED AND SHOULD NOT BE USED WITHOUT WRITTEN PERMISSION				

ASSEMBLY NO.	DIMENSION					FEATURE				HOUSING COLOR	GOLD PLATING IN CONTACT AREA	SHELL PLATING	REMARK
	DM A	DM B	DM C	DM D	DM E	FLANGE	BACK COVER	TOP HOLES	MYLAR				
47151-1002	1.80	2.20	M3.0X0.5	16.08	13.38	WITH	WITH	WITH	W/O	BLACK	SEE NOTE 2 (1)	SEE NOTE 2 (a)	FOR SHEET 4
47151-1042										BLACK	SEE NOTE 2 (2)		
47151-1052										BLACK	SEE NOTE 2 (3)		
47151-1062										BLACK	SEE NOTE 2 (4)		
47151-1012										NATURE	SEE NOTE 2 (1)	SEE NOTE 2 (b)	
47151-1022	BLACK												
47151-1032	NATURE	SEE NOTE 2 (2)	SEE NOTE 2 (a)										
47151-1102	BLACK												
47151-1142	1.45	1.45	M3.0X0.5	16.08	13.38	WITH	WITH	WITH	W/O	BLACK	SEE NOTE 2 (2)	SEE NOTE 2 (a)	
47151-1152										BALCK	SEE NOTE 2 (3)		
47151-1112										NATURE	SEE NOTE 2 (1)	SEE NOTE 2 (b)	
47151-1122										BLACK			
47151-1132										NATURE			
47151-1005	1.80	2.20	4-40	16.08	13.38	WITH	WITH	WITH	W/O	BLACK	SEE NOTE 2 (2)	SEE NOTE 2 (a)	
47151-1015										NATURE			
47151-1025	1.80	2.20	M3.0X0.5	14.25	11.28	WITH	WITH	WITH	W/O	BLACK	SEE NOTE 2 (1)	SEE NOTE 2 (a)	
47151-6012										NATURE			
47151-6042										BLACK			
47151-6052										BLACK			
47151-6112										BLACK			
47151-6142	1.45	1.45	M3.0X0.5	14.25	11.28	WITH	WITH	WITH	W/O	BLACK	SEE NOTE 2 (2)	SEE NOTE 2 (a)	
47151-6152										BLACK	SEE NOTE 2 (3)		
47151-7102	/	/	/	/	/	WITH	WITH	W/O		BLACK	SEE NOTE 2 (1)	SEE NOTE 2 (a)	FOR SHEET 5



<b>REVISED</b> EC NO: SH2007-0873 DRWN: B.CHENZ6 CHKD: J.TIAN APPR: J.CHEN 2007/06/08 2007/06/08 2007/06/22	<b>QUALITY SYMBOLS</b>  	<b>GENERAL TOLERANCES (UNLESS SPECIFIED)</b>		<b>DIMENSION STYLE</b> MM ONLY		SCALE 1:1	DESIGN UNITS METRIC	THIRD ANGLE PROJECTION			
				DRAWN BY RZHANG	DATE 2004/07/20	TITLE 1.0 HDMI RIGHT ANGLE HEADER ASSEMBLY(19 PIN) LEAD FREE					
				CHECKED BY GRMA	DATE 2004/07/20	MOLEX INCORPORATED					
				APPROVED BY YTYAP	DATE 2004/07/20	MATERIAL NO. SEE TABLE		DOCUMENT NO. SD-47151-001	SHEET NO. 7 OF 7		
				DRAFT WHERE APPLICABLE MUST REMAIN WITHIN DIMENSIONS		THIS DRAWING CONTAINS INFORMATION THAT IS PROPRIETARY TO MOLEX INCORPORATED AND SHOULD NOT BE USED WITHOUT WRITTEN PERMISSION					