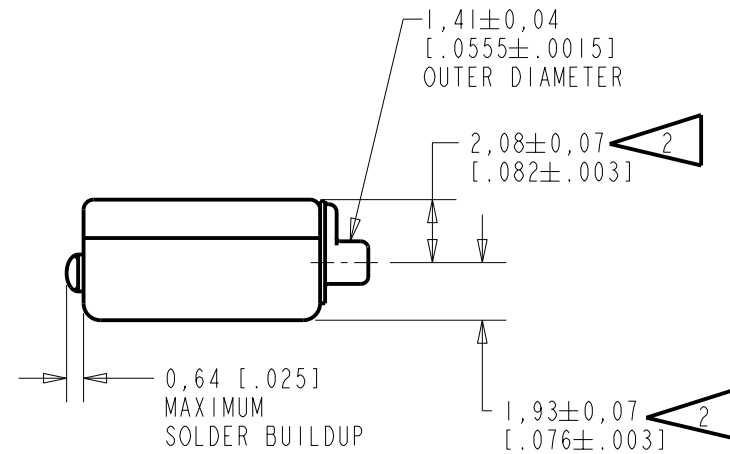
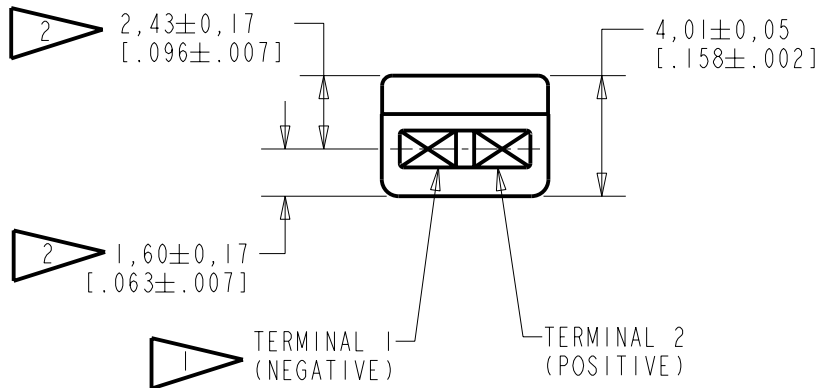
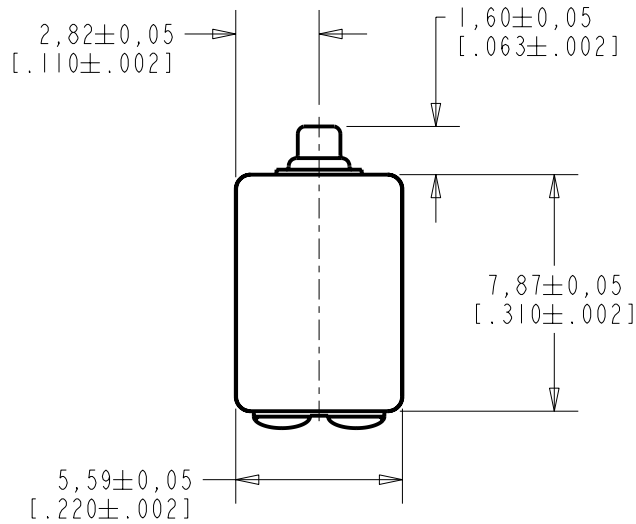
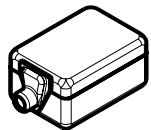


BK-28507-000
SHT 1.1



NOTES:

- 1 A POSITIVE GOING VOLTAGE AT TERMINAL 2, RELATIVE TO TERMINAL 1, CAUSES A DECREASE IN PRESSURE AT THE SOUND OUTLET.
- 2 LOCATED FROM TWO SURFACES FOR CUSTOMER COVENIENCE. ONLY APPLICABLE FROM ONE SURFACE, NOT TO BE USED TOGETHER. HORIZONTAL LOCATION FOR TERMINAL CENTERED TO $\pm 0,17$ [0.007].



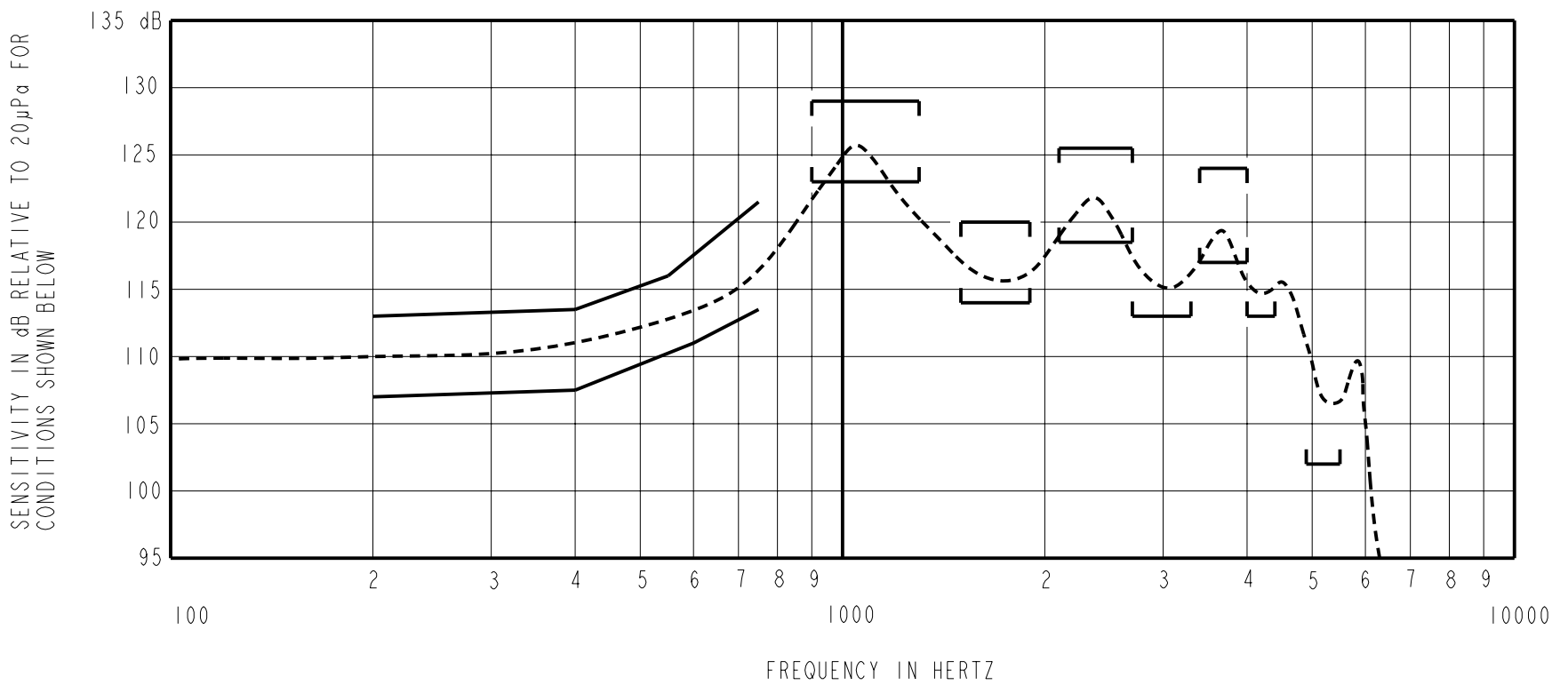
SCALE 2:1

NOMINAL WEIGHT
.66 GRAM

DIMENSIONS IN MILLIMETERS [INCHES]

KNOWLES ELECTRONICS
ITASCA, ILLINOIS U.S.A.

Revision	C.O. #	Implementation Date	RELEASE LEVEL	REVISION
			Released	A
A	CI0103461	1-17-06		
SCALE: 4:1				
TITLE: RECEIVER			DR. BY: _____ DATE: _____	
OUTLINE DRAWING			CRG 1-17-06	
BK-28507-000			CK. BY: _____ DATE: _____	
SHT 1.1			GJP 1-19-06	
			APP. BY: _____ DATE: _____	
			GJP 1-19-06	



NOTES:

1. MEASUREMENTS MADE USING 8mm (.315") X 1mm (.039") ID + 28mm (1.10") X 1.5mm (.059") ID EAR HOOK SIMULATOR INTO 25mm (.984") OF 2mm (.079") ID TUBE + 18mm (.709") OF 3MM (.118") ID TUBE + 2cm³ CAVITY (AS IEC126). (T-2607 AND B & K DB0138).

2. SENSITIVITY

FREQUENCY	MIN.	MAX.
200	107.0	113.0
400	107.5	113.5
550	---	116.0
600	111.0	---
750	113.5	121.5
900-1300	123.0	129.0
1500-1900	114.0	120.0
2100-2700	118.5	125.5
2700-3300	113.0	---
3400-4000	117.0	124.0
4000-4400	113.0	---
4900-5500	102.0	---

- RESPONSE, IMPEDANCE, AND DISTORTION MEASUREMENTS MADE USING THE ELECTRICAL TEST CONDITIONS SHOWN BELOW.
- ELECTRICAL SOURCE IMPEDANCE MUST BE "EQUAL TO NOMINAL" 1KHz IMPEDANCE FOR TEST CONDITIONS SHOWN BELOW.
- INDIVIDUAL SPECIFICATIONS.

PORT LOCATION	IMPEDANCE OHMS ±15%		DCR @20°C OHMS ±10%	DISTORTION		ELECTRICAL TEST CONDITIONS		SOURCE IMPEDANCE OHMS
	1KHz	500Hz		MAX. %	FREQ Hz	AC V RMS	DC mA	
12S	30	13.3	10.7	10	500	0.35	0.0	30

Revision	C.O. #	Implementation Date	RELEASE LEVEL	REVISION
A	C10103461	1-17-06	Released	A

KNOWLES ELECTRONICS
ITASCA, ILLINOIS U.S.A.

WHEN TEST LIMITS ARE USED TO ESTABLISH INCOMING INSPECTION ACCEPTANCE/REJECTION CRITERIA, CORRELATION OF TEST EQUIPMENT WITH KNOWLES IS ALSO REQUIRED FOR ELIMINATION OF EQUIPMENT AND TEST METHOD VARIATION

TITLE: **RECEIVER**
PERFORMANCE SPECIFICATION

BK-28507-000
SHT 2.1

DR. BY	DATE
CRG	1-17-06
CK. BY	DATE
GJP	1-19-06
APP. BY	DATE
GJP	1-19-06