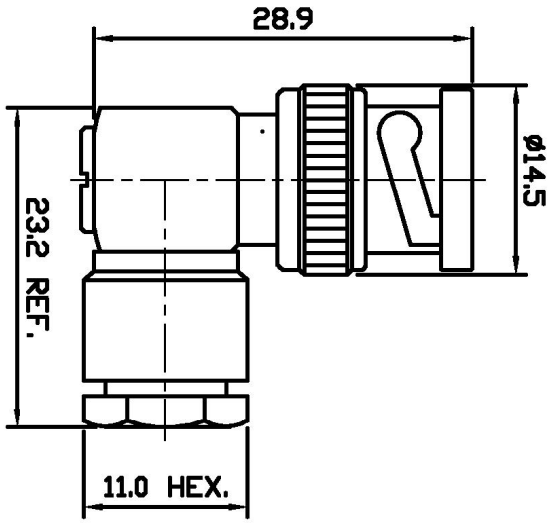


LOC	DIST	REV	DESCRIPTION	DATE	OWN	APPD
E	B	P	LTR			
		A	RELEASE FOR PRODUCTION	18.12.00	RS	RG



▲ SUPPLIED SEMI-ASSEMBLED (PACK CONTAINS LOOSE PIECES)
 VIEW SHOWS ASSEMBLED CONNECTOR (CABLE OMITTED)
 FOR CABLE TO CONNECTOR ASSEMBLY GUIDANCE
 REFER TO TYCO INSTRUCTION SHEET IS 411 - 3267

ALL DIMENSIONS ARE NOMINAL. FOR REFERENCE ONLY.

DIE SET PART NUMBER	N/A
HANDTOOL PART NUMBER	N/A
FDR USE ON CABLES	RG179B/U, 187A/U, URM111
CONNECTOR PLATING DETAIL	SILVER
CONTACT PLATING DETAIL	SILVER
DIELECTRIC MATERIAL	PTFE
GASKET MATERIAL	WHITE SILICONE RUBBER

THIS DRAWING IS A CONTROLLED DOCUMENT.

DIMENSIONS:	MM
TOLERANCES UNLESS OTHERWISE SPECIFIED:	
0 PLC	±
1 PLC	±
2 PLC	±
3 PLC	±
4 PLC	±
ANGLES	±
FINISH	

DMN	18.12.00	CHK	R SMITH	APD	R GOODALL	18.12.00	NAME	tyco	Tyco Electronics Corporation
DMN	18.12.00	CHK	R GOODALL	APD	R GOODALL	18.12.00	NAME	Stannore	Stannore, Middlesex, HA7 4RS
PRODUCT SPEC	108-3435	APPLICATION SPEC		SIZE	A3	CAGE CODE	00779	DRAWING NO	1478125
WEIGHT		CUSTOMER DRAWING		SCALE	NTS	SHEET	1	OF	1
				RESTRICTED TO		REV			A

BAG	SINGLE ITEM	1-1478125-0
PACK TYPE	DESCRIPTION	PART NUMBER

BNC ELB PLUG SOLDER RG179 75 OHM