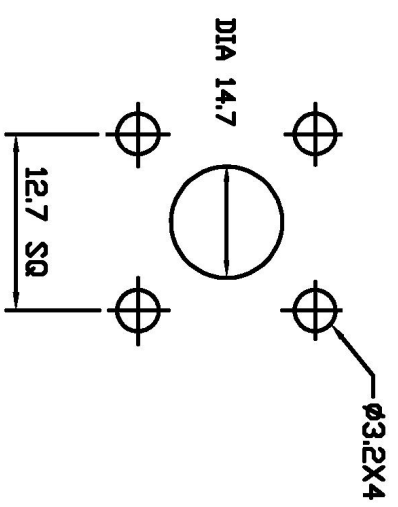
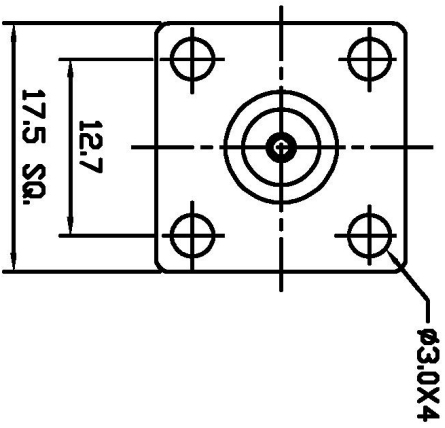
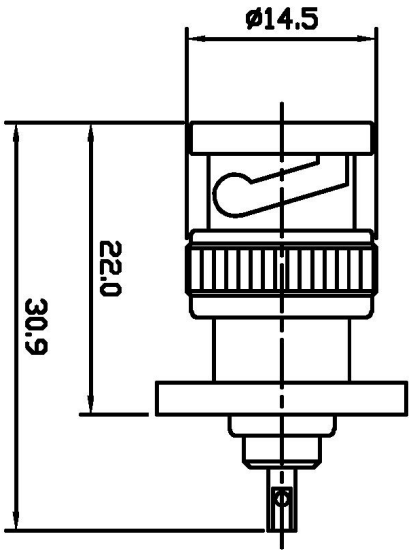


LOC	DIST	REVISIONS	DATE	OWN	APPD
E	B				
P	LTR	DESCRIPTION			
A		RELEASE FOR PRODUCTION	14-9-01	RG	FWK



RECOMMENDED PANEL CUT OUT DIMENSIONS

ALL DIMENSIONS ARE NOMINAL. FOR REFERENCE ONLY.

HANDTOOL PART NUMBER	N/A
FDR USE ON CABLES	N/A
CONNECTOR PLATING DETAIL	SILVER
CONTACT PLATING DETAIL	SILVER
DIELECTRIC MATERIAL	PTFE
GASKET MATERIAL	WHITE SILICONE RUBBER

THIS DRAWING IS A CONTROLLED DOCUMENT.

DIMENSIONS:	MM	TOLERANCES UNLESS OTHERWISE SPECIFIED:
0 PLG		±
1 PLG		±
2 PLG		±
3 PLG		±
4 PLG		±
ANGLES		±
FINISH		±

DMN	R GOODALL	14-9-01	NAME	tyco	Tyco Electronics Corporation
CHK	F W-KING	14-9-01	NAME	Stannore	Stannore, Middlesex, HA7 4RS
F	W-KING	14-9-01	SIZE	A3	
PRODUCT SPEC	108-3435		CAGE CODE	00779	
APPLICATION SPEC			DRAWING NO	1478052	
WEIGHT			SCALE	NTS	
CUSTOMER DRAWING			SHEET	1	OF 1
			REV		A
			RESTRICTED TO		

BAG	SINGLE ITEM	1-1478052-0
PACK TYPE	DESCRIPTION	PART NUMBER