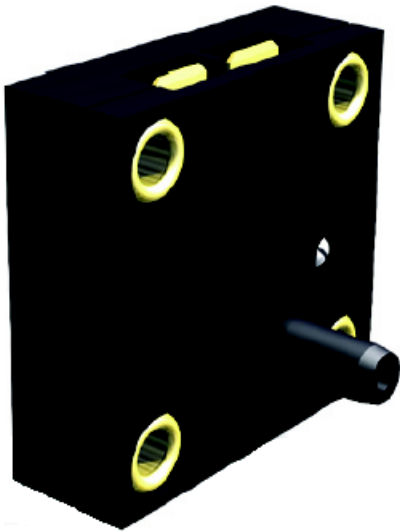


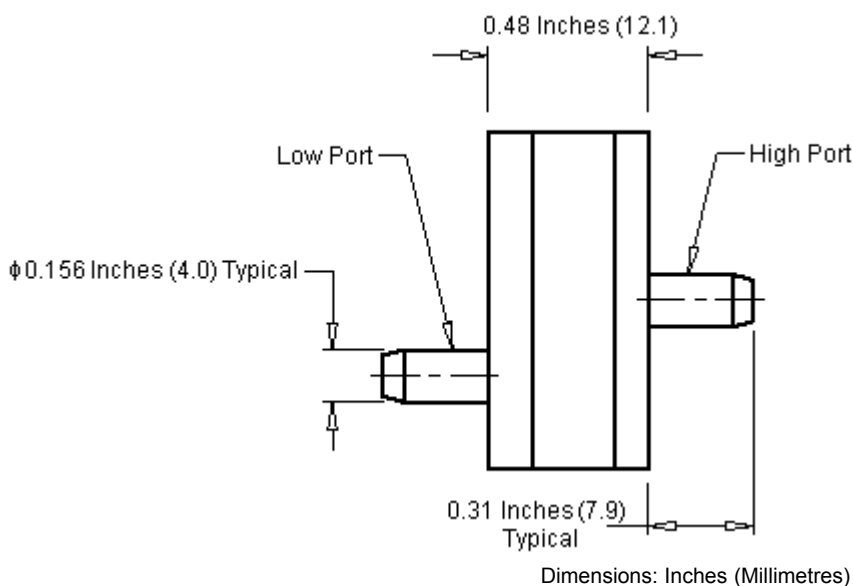
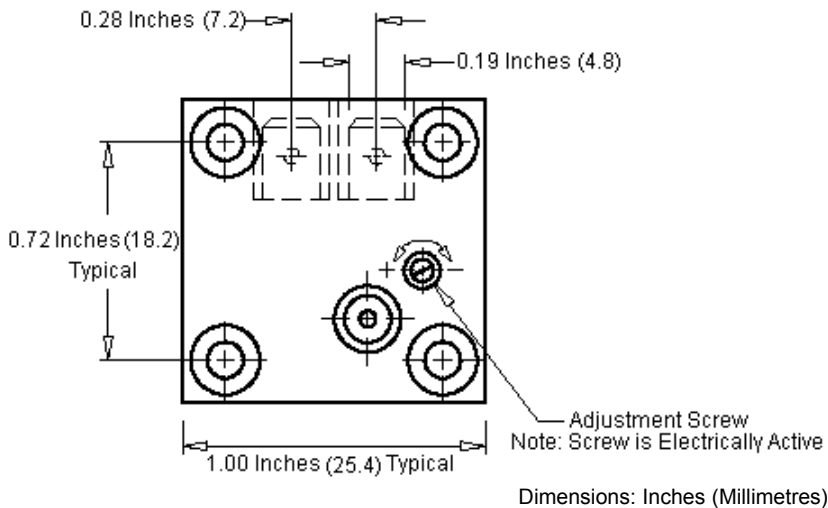
Pressure Switch

Field Adjustable



Features:

- Field adjustable set point-from 0.1 inch H₂O to 25 psi.
- High resolution/high accuracy field adjustment mechanism.
- Many standard ports and mounting options.
- Custom design and engineering available.
- Miniature size, lightweight, low cost.
- Dependable long life (20+ million cycles).
- Gold contact points.
- PCB terminals available.



Pressure Switch

Field Adjustable



Description:

World Magnetics' exclusive Design Flex™ feature allows you to quickly custom design a proven pressure, vacuum or differential switch for your application. Choose from our standard PSF102 options as shown or contact our vertically integrated in-house design and engineering team for special features.

Specifications:

Mechanical:

Standard tolerance : Varies by option- see set point options.
 Switch type : SPST (single pull/single throw) normally open.
 Switching medium : Air, compatible fluids on "High" port side.
 Mechanical life : More than 20 million cycles.
 Proof pressure : Varies by option-see set point options.
 Operating temperature : +40°F to +150°F (standard), -46°F to +205°F (contact us).

Physical:

Case material : Polycarbonate (optional: Lexan 141, Supec®, Ultem®, Noryl®).
 Porting options : Many standard ports- see low port/high port options.
 Diaphragm material : Polyurethane (PTFE optional).
 Contact points : Gold.
 Electrical connections : Terminals-0.187 inches x 0.020 inches spade (recessed) for use with quick disconnects uninsulated (reference AMP Faston, 187 series) (PCB terminals available).
 Mounting : #4 screws through mounting lugs, #2 screws through eyelets, mounting clip or bracket available.
 Weight : Less than 10grams.

Electrical:

Current rating : 40mA resistive for life in excess of 20 million cycles.
 Operating voltage : 30V ac/dc or less with resistive load, 120V ac neon lamp load.

Note: For higher load capabilities see our PSF103, PSF109 and Goldtech series switches.

Specification Table

Description	In. H ₂ O	mbar	psi	Proof Pressure	Tolerance	Part Number
Pressure Switch, 0.004 - 0.018psi	0.1 to 0.5	0.25 to 1.25	0.004 to 0.018	8psi	±0.1 inches H ₂ O	PSF102-7652-710
Pressure Switch, 0.018 - 0.072psi	0.5 to 2.0	1.25 to 4.98	0.018 to 0.072		±0.2 inches H ₂ O	PSF102-7651-711
Pressure Switch, 0.072 - 0.541psi	2.0 to 15.0	4.98 to 37.37	0.072 to 0.541		±0.5 inches H ₂ O	PSF102-7651-712
Pressure Switch, 0.541 - 2.17psi	15.0 to 60.0	37.37 to 149.3	0.541 to 2.17	15	±10%	PSF102-7651-713
Pressure Switch, 2.17 - 3.6psi	60.0 to 100.0	149.3 to 248.8	2.17 to 3.60	30		PSF102-7651-723
Pressure Switch, 3.6 - 0.11psi	100.0 to 692.0	248.8 to 1723.7	3.60 to 25.0			PSF102-7651-714

Disclaimer This data sheet and its contents (the "Information") belong to the Premier Farnell Group (the "Group") or are licensed to it. No licence is granted for the use of it other than for information purposes in connection with the products to which it relates. No licence of any intellectual property rights is granted. The Information is subject to change without notice and replaces all data sheets previously supplied. The Information supplied is believed to be accurate but the Group assumes no responsibility for its accuracy or completeness, any error in or omission from it or for any use made of it. Users of this data sheet should check for themselves the Information and the suitability of the products for their purpose and not make any assumptions based on information included or omitted. Liability for loss or damage resulting from any reliance on the Information or use of it (including liability resulting from negligence or where the Group was aware of the possibility of such loss or damage arising) is excluded. This will not operate to limit or restrict the Group's liability for death or personal injury resulting from its negligence. SPC Multicomp is the registered trademark of the Group. © Premier Farnell plc 2009.

<http://www.farnell.com>
<http://www.newark.com>
<http://www.cpc.co.uk>

