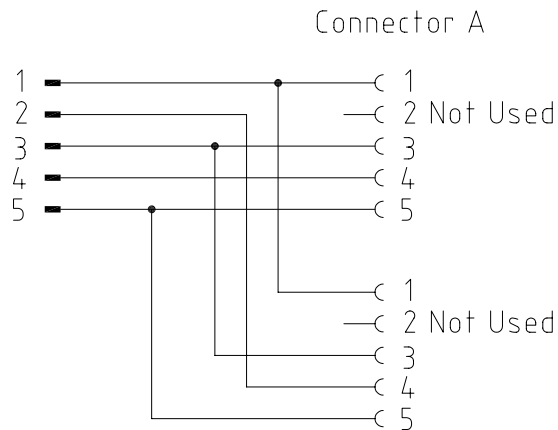


Circuit Diagram

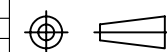


Specification.

- Insert Material – PUR
- Contact Material – Brass
- Contact Plating – Au/Ni
- Coupling Nuts – Brass, Nickel Plated
- Seal – Viton O-Ring
- Protection Class – IP68
- Voltage Rating – 30V AC, 36V DC
- Current Rating – 4 Amps
- Overmoulding – PUR

Connector B

N/A	A	JDW	NEW DRAWING	20.06.08	JDW
ECN	Rev	By	Descriptions	Date	Approved



Thrd Angle Projection

This drawing and its contents are the proprietary and confidential property of Woodhead Industries Inc. and/or its subsidiaries and may not be used or disclosed to others without the express prior written consent of Woodhead Industries Inc. and/or its subsidiaries.

Applicable Standards ASME Y14.5M ISO 1660

NAME	DATE
------	------

Drawn	JDW	20.06.08
-------	-----	----------

Checked	RAW	20.06.08
---------	-----	----------

Approved	JDW	20.06.08
----------	-----	----------

Material	Dimensions In MM
----------	------------------

Finish	0.0 ± 0.25mm
--------	--------------

CLEAN	0.00 ± 0.10mm
-------	---------------

	0.000 ± 0.025mm
--	-----------------

	Angles ± 1°
--	-------------

Part No.	Size
----------	------

885A30	A4
--------	----

Description
-------------

Y SPLITTER-MMC-5P-MM/2XFE
---------------------------

--

--

--

Material	Dimensions In MM
----------	------------------

Finish	0.0 ± 0.25mm
--------	--------------

CLEAN	0.00 ± 0.10mm
-------	---------------

	0.000 ± 0.025mm
--	-----------------

	Angles ± 1°
--	-------------

Drawing No.	Rev
-------------	-----

885A30	A
--------	---

Scale	NTS	1/1
-------	-----	-----