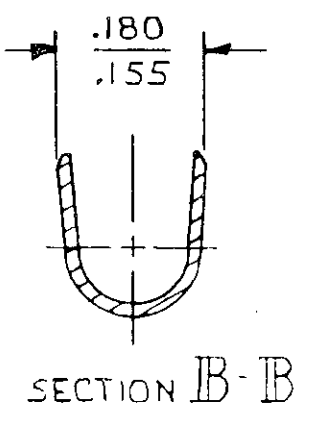
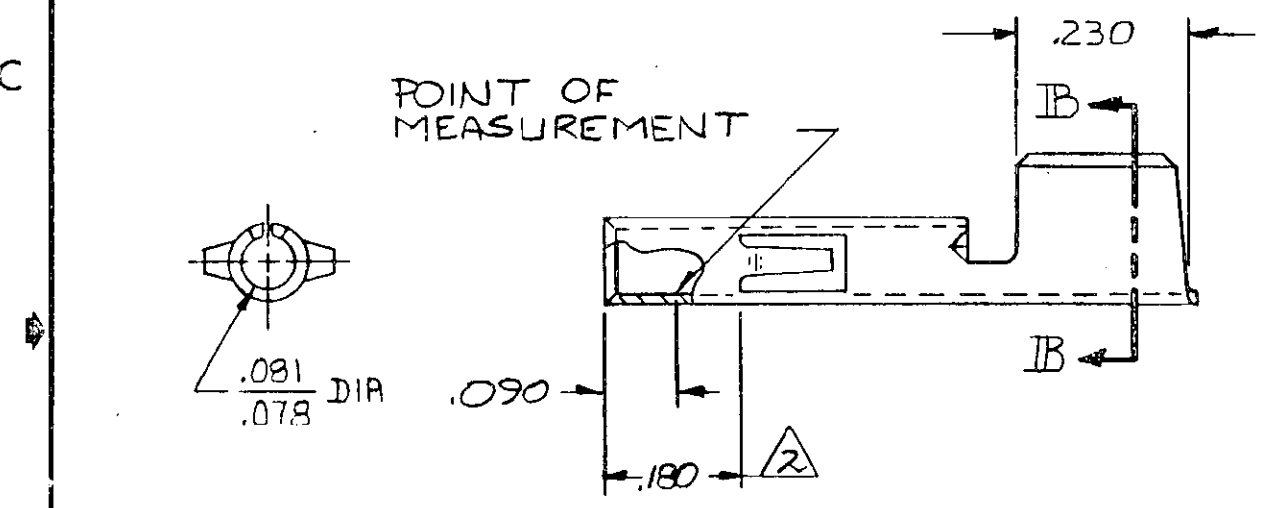
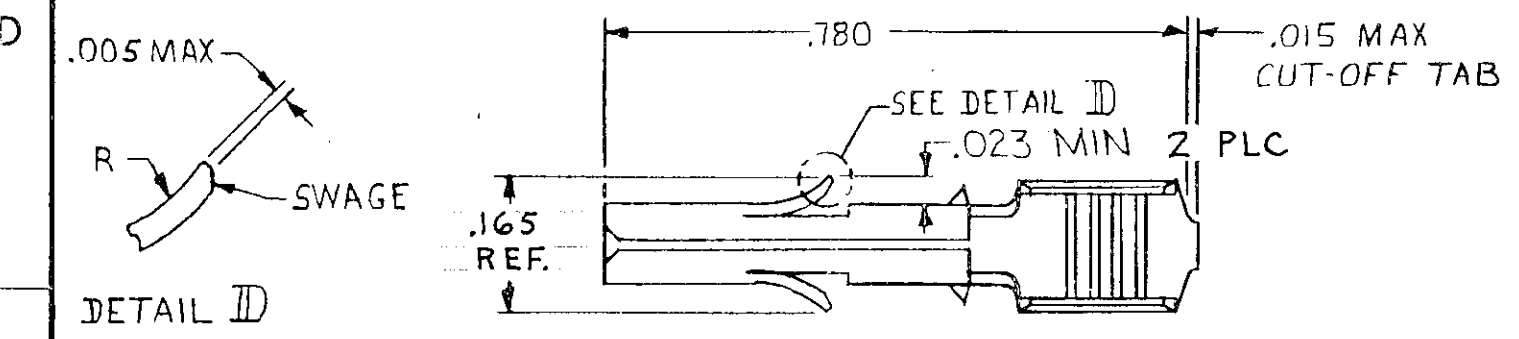


DRAWING MADE IN THIRD ANGLE PROJECTION

© COPYRIGHT 1977 BY AMP INCORPORATED, HARRISBURG, PA. ALL INTERNATIONAL RIGHTS RESERVED. AMP INCORPORATED PRODUCTS COVERED BY U. S. AND FOREIGN PATENTS AND/OR PATENTS PENDING.

REVISIONS						
P	F	ZONE	LTR	DESCRIPTION	DATE	APPROVED
✓	✓		C	REDRAWN + UPDATED M-6457	6-5-81	MSF/DH
✓	✓		D	ADDED - 6 PER M-6627	10-2-81	MSF/DH
✓	✓		E	ADD. 090, 180 DIMS, NOTE 2, PT. OF MEAS, M-7351	5/13/83	TW/DH
✓			F	REVISED AG 57	10/21/83	W. Miller S. Jones
			F1	RESTORATION	5-23-85	KS/SS
			G	REV PER EC 0730-3607-91	1-6-94	RV RS



- ① LIMITED BY THE CONNECTOR HOUSING CAVITY.
- ② .000030 THICK GOLD OVER NICKEL ON INSIDE OF RECEPTACLE; REMAINDER OF CONTACT IS NICKEL PLATED.

FINISH	MATERIAL	PART NO
② GOLD	.012 PH BRZ	640310-6
PRE-TIN	.012 PH BRZ	640310-3

UNLESS OTHERWISE SPECIFIED DIMENSIONS ARE IN INCHES. TOLERANCES ON: DECIMALS ±.015 ANGLES ±		CONTRACT NO		<b>AMP</b>   AMP INCORPORATED Harrisburg, Pa.	
WIRE RANGE 12-10 AWG		DR m. Feher 4-21-81			
INSULATION RANGE .200 DIA MAX		CHK D.S. Heide 4/9/81		NAME SOCKET, (LOOSE PIECE) UNIVERSAL MATE-N-LOK	
		APPD B. Wolochub 6-10-81		SIZE <b>B</b> CODE IDENT NO 00779 DRAWING NO 640310	
		DSGN APPD		SCALE 4-1 SHEET	
		OTHER APPD			