

1

2

3

4

PRODUCT NUMBER
SEE TABLE, SHEET 5

A

B

C

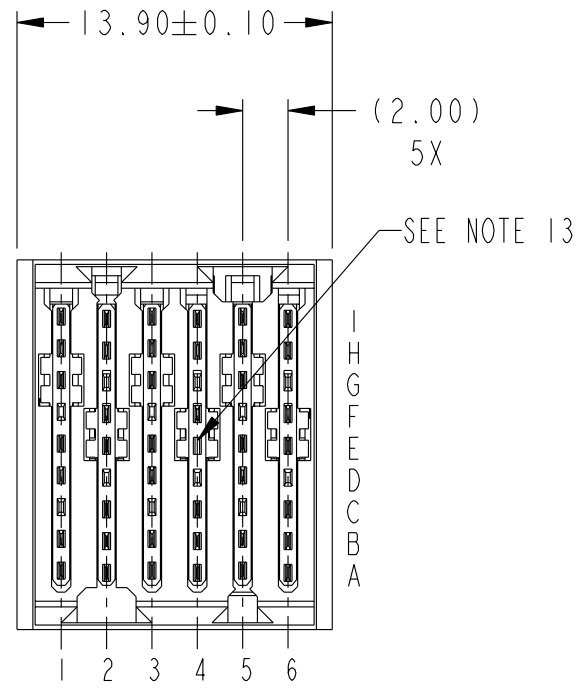
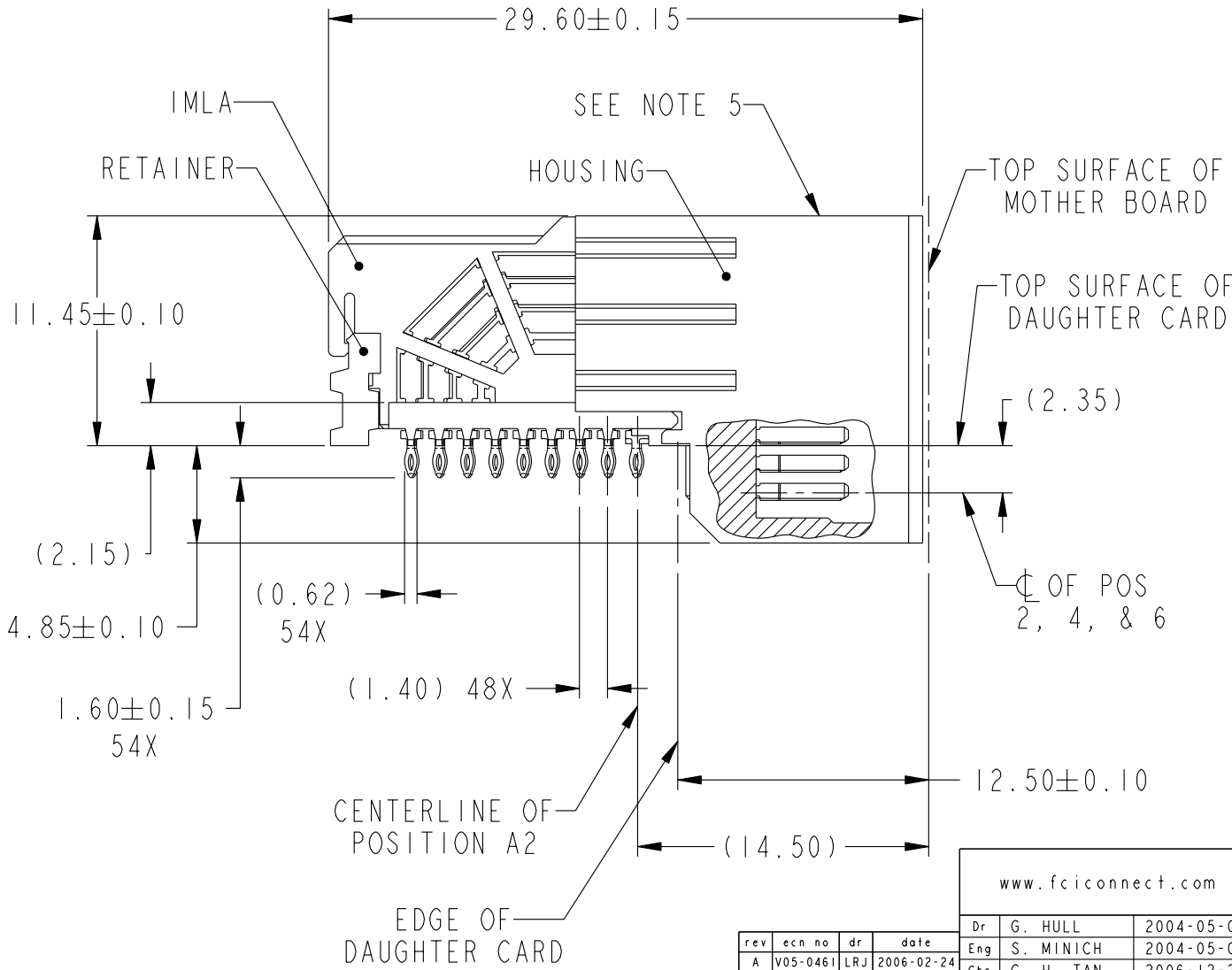
D

A

B

C

D



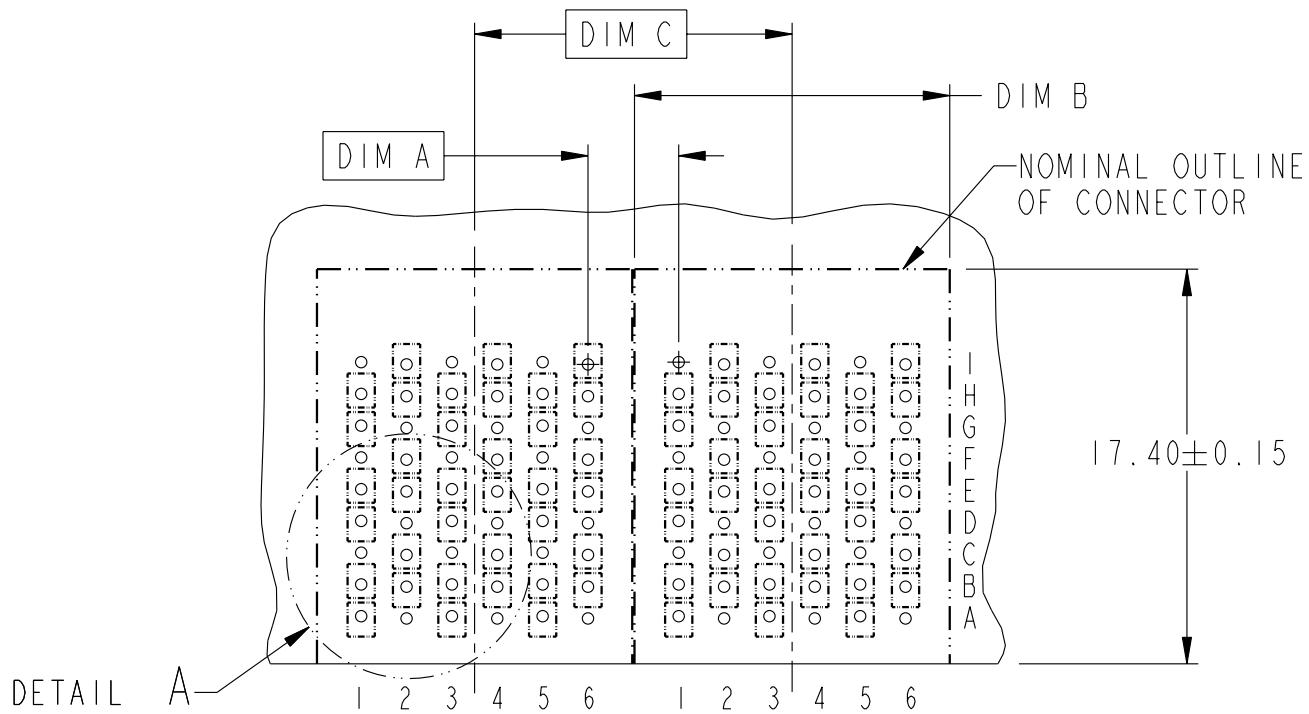
Copyright FCI.

| | | | | |
|--------------------|-----------|---------------------------------------|-----------------------------------|------------------|
| www.fciconnect.com | | surface 3.2 ASME Y14.5 | tolerance std ASME Y14.5 | projection MM |
| | | TOLERANCES UNLESS OTHERWISE SPECIFIED | | |
| Dr | G. HULL | 2004-05-09 | ANGULAR | 0.X ± |
| Eng | S. MINICH | 2004-05-09 | LINEAR | 0.XX ± |
| Chr | C. H. TAN | 2006-12-21 | 0° ±° | 0.XXX ± |
| Appr | JOEY NG | 2006-12-21 | Product family AirMax VS Spec ref | |
| FCI | | | AirMax VS R/A HEADER ASSY | |
| | | | PRESS-FIT, 54 POS, 14MM | |
| catalog no | | | - | |
| dwg no | | | 10039851 | |
| CUSTOMER | | | sheet 1 of 5 | |

| rev | ecn no | dr | date |
|-----|----------|-----|------------|
| A | V05-0461 | LRJ | 2006-02-24 |
| B | V06-0209 | LRJ | 2006-03-01 |
| C | V06-0531 | SCS | 2006-06-07 |
| D | S06-0374 | DG | 2006-12-21 |
| - | - | - | - |
| - | - | - | - |
| - | - | - | - |

REV F - 2006-04-17

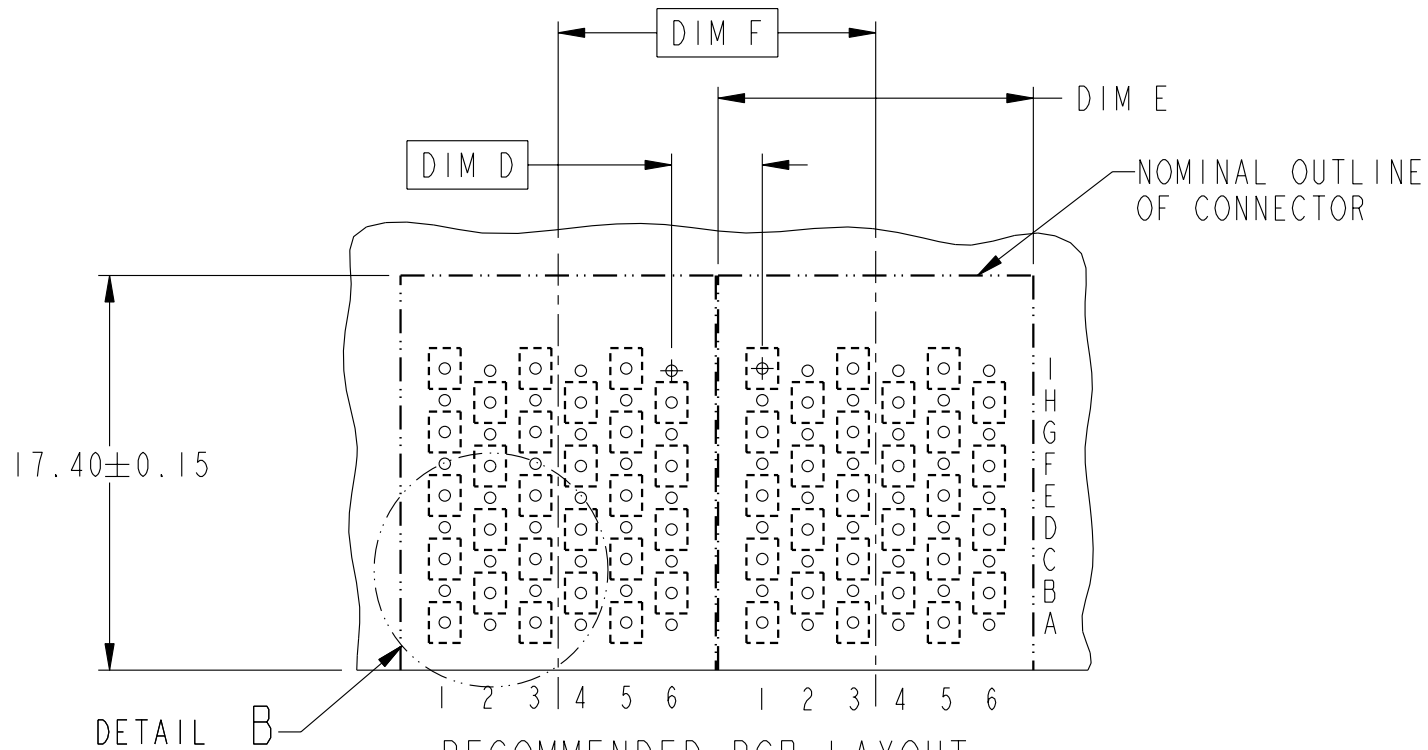
| DESCRIPTION | DIM A | DIM B | DIM C |
|---|-------|------------------------|-------|
| 2-14MM MODULES PLACED END-TO-END | 4.00 | 13.90 2X | 14.00 |
| 1-12MM MODULE & 1-14MM MODULE PLACED END-TO-END | 3.00 | 11.90 1X & 13.90 1X | 13.00 |



RECOMMENDED PCB LAYOUT
FOR DIFFERENTIAL APPLICATIONS
COMPONENT SIDE
(TWO ADJACENT FOOTPRINTS SHOWN)
NOTES 6 & 7

| | | | |
|--|---|--------------------|--------------|
| | title AirMax VS R/A HEADER ASSY PRESS-FIT, 54 POS, 14MM | dwg no 10039851 | Rev. D |
| | catalog no - | CUSTOMER | sheet 2 of 5 |

| DESCRIPTION | DIM D | DIM E | DIM F |
|---|-------|------------------------|-------|
| 2-14MM MODULES PLACED END-TO-END | 4.00 | 13.90 2X | 14.00 |
| 1-12MM MODULE & 1-14MM MODULE PLACED END-TO-END | 3.00 | 11.90 1X & 13.90 1X | 13.00 |



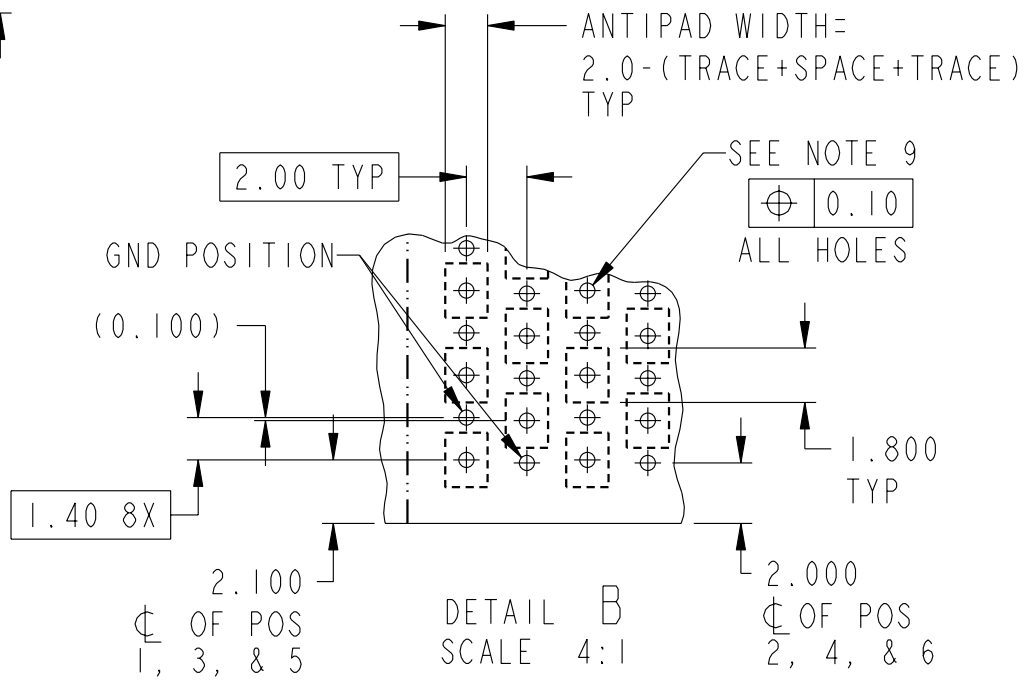
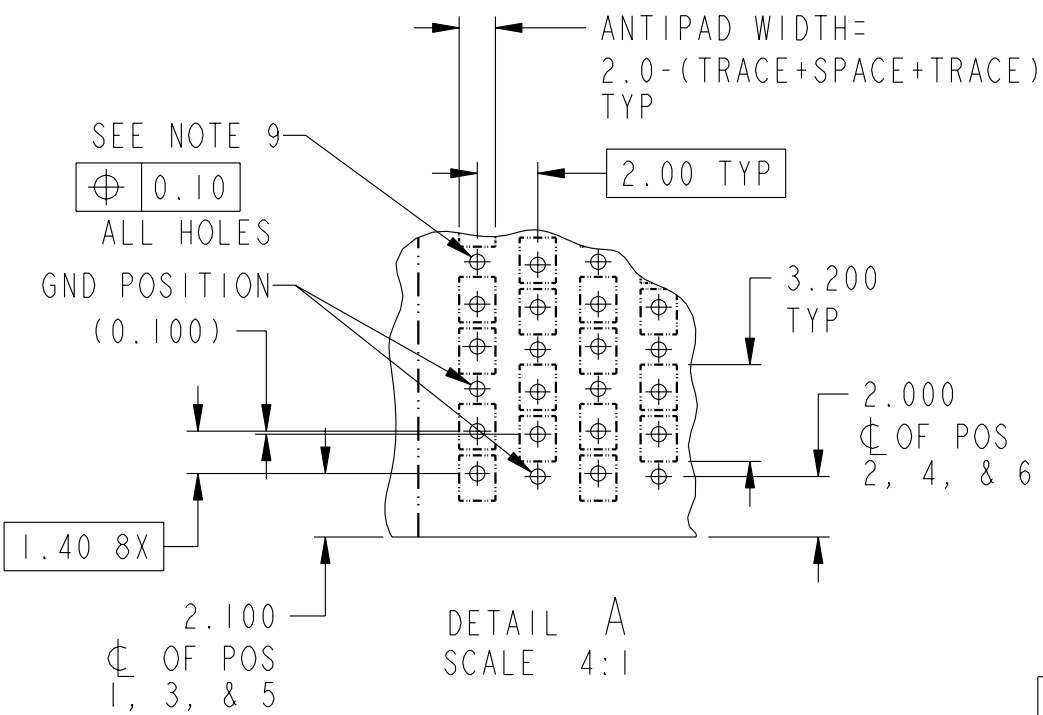
RECOMMENDED PCB LAYOUT
FOR SINGLE ENDED APPLICATIONS
COMPONENT SIDE
(TWO ADJACENT FOOTPRINTS SHOWN)
NOTES 6 & 7

| | | | |
|--|---|--------------------|--------------|
| | title AirMax VS R/A HEADER ASSY PRESS-FIT, 54 POS, 14MM | dwg no 10039851 | Rev. D |
| | catalog no - | CUSTOMER | sheet 3 of 5 |





Copyright FCI.



REV F - 2006-04-17

| | | | | | | |
|--|------------|---------------------------|--------|----------|--------------|---|
| | part no | AirMax VS R/A HEADER ASSY | dwg no | 10039851 | Rev. | D |
| | catalog no | PRESS-FIT, 54 POS, 14MM | - | CUSTOMER | sheet 4 of 5 | |

| PART NUMBER | PRESS-FIT TAIL PLATING TYPE | SHORT DETECT CONTACT |
|----------------|-----------------------------|----------------------|
| 10039851-101 | TIN/LEAD ALLOY OVER NICKEL | NO |
| 10039851-101LF | TIN OVER NICKEL (LEAD FREE) | |
| 10039851-111 | TIN/LEAD ALLOY OVER NICKEL | YES (SEE NOTE 13) |
| 10039851-111LF | TIN OVER NICKEL (LEAD FREE) | |

NOTES:

1. CONNECTOR MATERIALS:
 HOUSING & RETAINER: HIGH TEMP THERMOPLASTIC, NATURAL, UL94V-0
 IMLA PLASTIC: HIGH TEMP THERMOPLASTIC, BLACK, UL94V-0
 CONTACT: COPPER ALLOY

2. CONTACT PLATING:
 SEPARABLE INTERFACE:
 PERFORMANCE-BASED PLATING, QUALIFIED TO MEET THE REQUIREMENTS OF FCI PRODUCT SPECIFICATION GS-12-239 INCLUDING TELCORDIA GR-1217-CORE (NOVEMBER 1995) CENTRAL OFFICE TEST SEQUENCE

PRESS-FIT TAILS: SEE TABLE

3. PRODUCT SPECIFICATION: GS-12-239

4. APPLICATION SPECIFICATION: GS-20-035

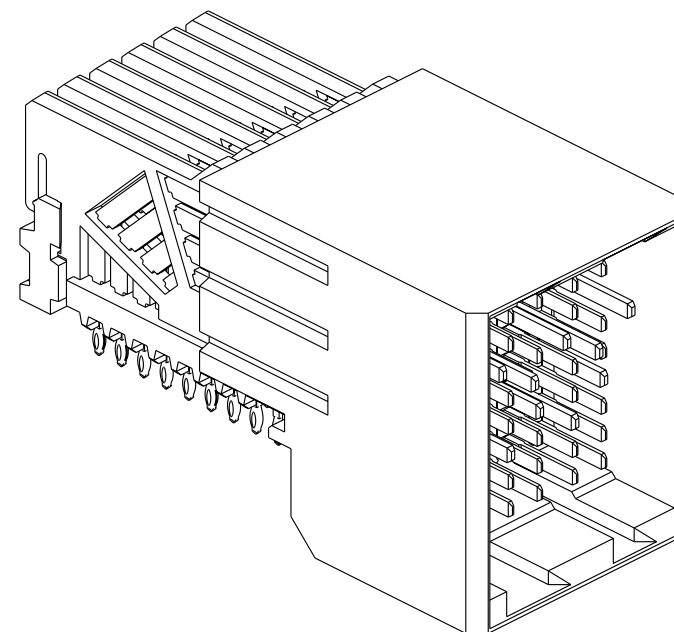
5. PRODUCT MARKING, (PART NUMBER & LOT CODE), ON THIS SURFACE

6. REFER TO CUSTOMER DRAWING 10035911 FOR INFORMATION REGARDING PCB LAYOUT OF POWER AND GUIDE MODULES RELATIVE TO SIGNAL MODULES

7. POSITIONS F OF ODD NUMBERED COLUMNS AND POSITIONS G OF EVEN NUMBERED COLUMNS CORRESPOND TO EARLY MATE HEADER PINS

8. THERE IS NO GROUND BUSSING WITHIN THE CONNECTOR SYSTEM

9. REFER TO CUSTOMER DRAWING 10045979 FOR INFORMATION ON PCB HOLE DIAMETERS AND PLATING OPTIONS.



10. LEAD FREE PRODUCT MEETS EUROPEAN UNION DIRECTIVES AND OTHER COUNTRY REGULATIONS AS DESCRIBED IN GS-22-008.

11. THE HOUSING WILL WITHSTAND EXPOSURE TO 260°C PEAK TEMPERATURE FOR 40 SECONDS IN A CONVECTION, INFRA-RED OR VAPOR PHASE REFLOW OVEN.

12. PACKAGING MEETS GS-14-920 LEAD FREE LABELING SPECIFICATION.

13. MATING PIN E4 HAS 0.5mm LESS NOMINAL WIPE THAN THE SHORTEST SIGNAL PIN.



Copyright FCI.



| | | |
|---|--------------------|-----------|
| title AirMax VS R/A HEADER ASSY PRESS-FIT, 54 POS, 14MM | dwg no 10039851 | Rev. D |
| | | |