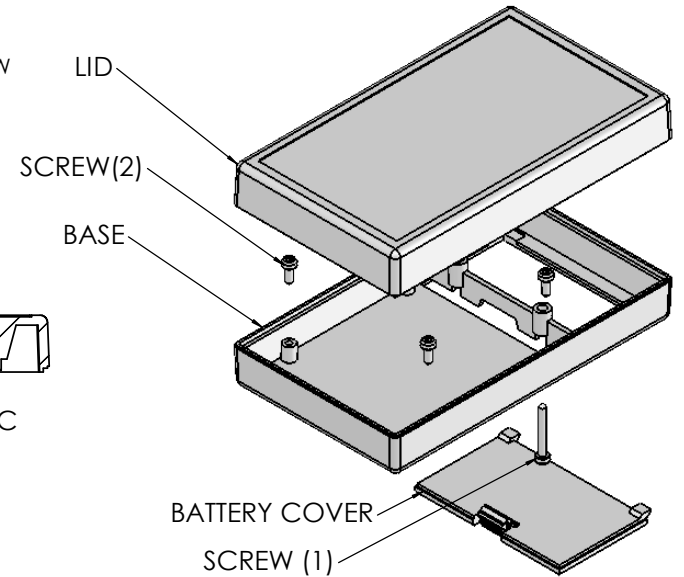


OVERALL ASSEMBLY DIMENSIONS:

EXTERNAL - 104.5 x 61.3 x 27.5

INTERNAL - 99 x 56 x 22

- (1) 2x UNIT ASSEMBLY SCREW
- (2) 4x INTERNAL MOUNTING SCREW



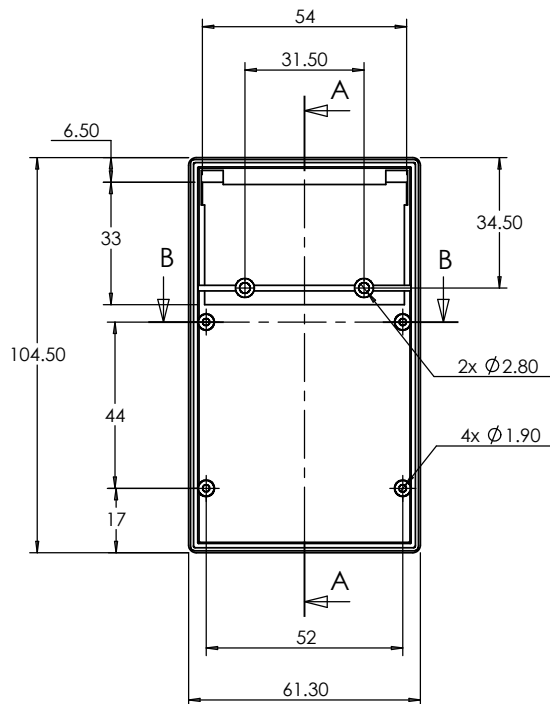
ISO VIEW



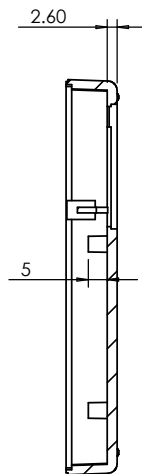
SECTION B-B



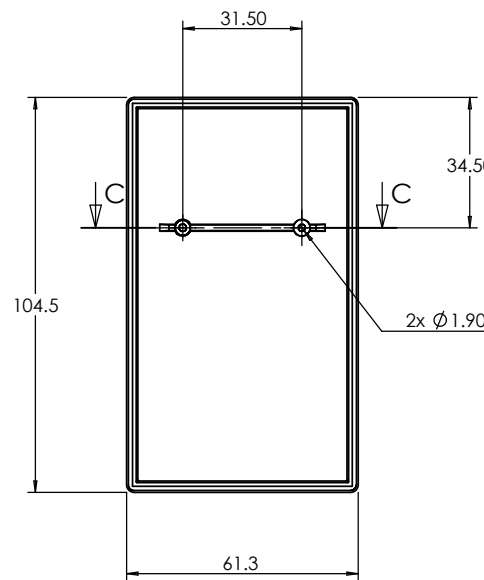
SECTION C-C



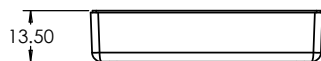
BASE



SECTION A-A



LID



<p>JAMES CARTER RD, MILDENHALL, SUFFOLK. IP28 7DE          TEL: 01638 716101 FAX: 01638 716554          EMAIL: SALES@BOSS-ENCLOSURES.CO.UK          WEB: www.BOSS-ENCLOSURES.CO.UK</p>				UNLESS OTHERWISE SPECIFIED: DIMENSIONS ARE IN MILLIMETERS		DO NOT SCALE DRAWING		REVISION. 0		
				FINISH: <b>SMOOTH</b>		TITLE: <b>ASSEMBLY DRG FOR 2910-551</b>				
DRAWN S.HARDINGE		SIGNED SJH		DATE 13/10/05		MATERIAL: <b>ABS</b>		DWG NO. <b>2910-551</b>		A4
CHK'D -		-		-		PROJECTION.		SCALE: 1 : 2		SHEET 1 OF 1