

OVERALL ASSEMBLY DIMESIONS :

EXTERNAL - 90 x 55 x 25

INTERNAL - 85 x 50 x 23.5

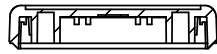
CORNER/SCREW CAP

M3 SCREW

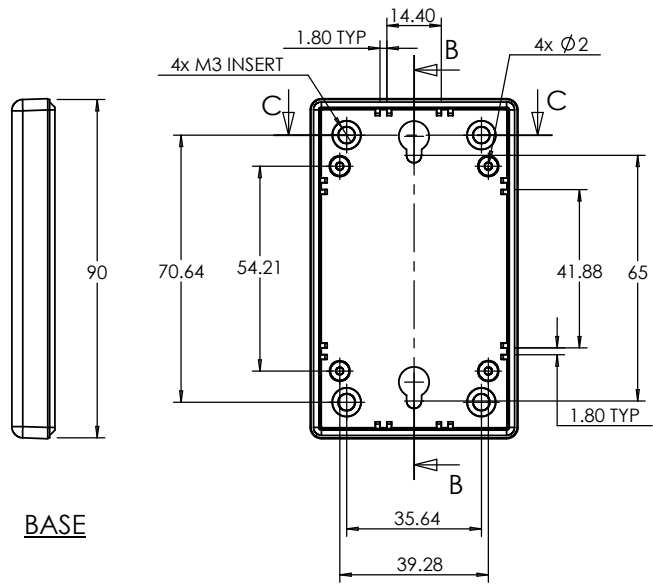
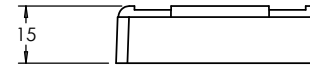
LID

BASE

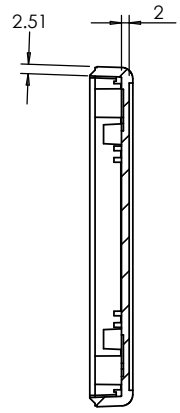
ISO VIEW



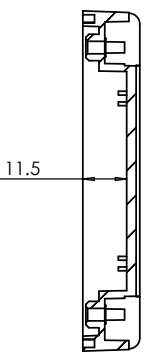
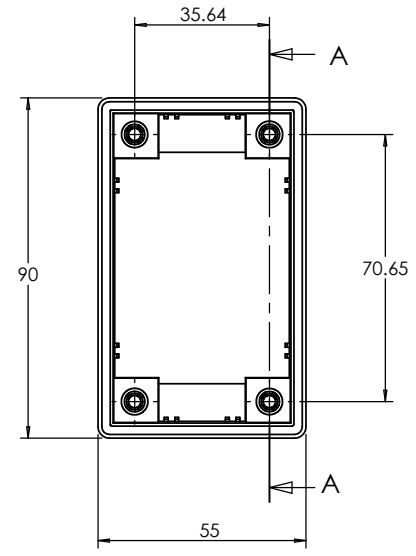
SECTION C-C



BASE

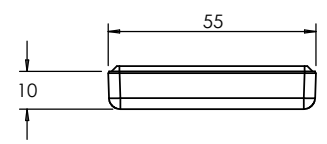


SECTION B-B



SECTION A-A

LID



<p>JAMES CARTER RD, MILDENHALL, SUFFOLK. IP28 7DE TEL: 01638 716101 FAX: 01638 716554 EMAIL: SALES@BOSS-ENCLOSURES.CO.UK WEB: www.BOSS-ENCLOSURES.CO.UK</p>				UNLESS OTHERWISE SPECIFIED: DIMENSIONS ARE IN MILLIMETERS		DO NOT SCALE DRAWING		REVISION. 0		
				FINISH: LIGHT SPARK		TITLE: ASSEMBLY DRG FOR 7001,11				
DRAWN S.HARDINGE		SIGNED SJH		DATE 11/10/05		MATERIAL. ABS		DWG NO. 7001,11		A4
CHKD -		-		-		PROJECTION.		SCALE: 1 : 2		SHEET 1 OF 1