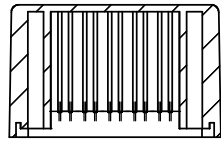


OVERALL ASSEMBLY DIMENSIONS:

EXTERNAL - 85 x 56 x 39

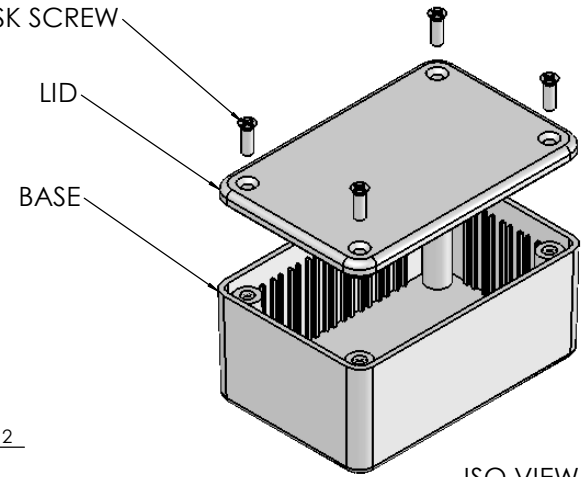
INTERNAL - 81.4 x 52.4 x 35.4



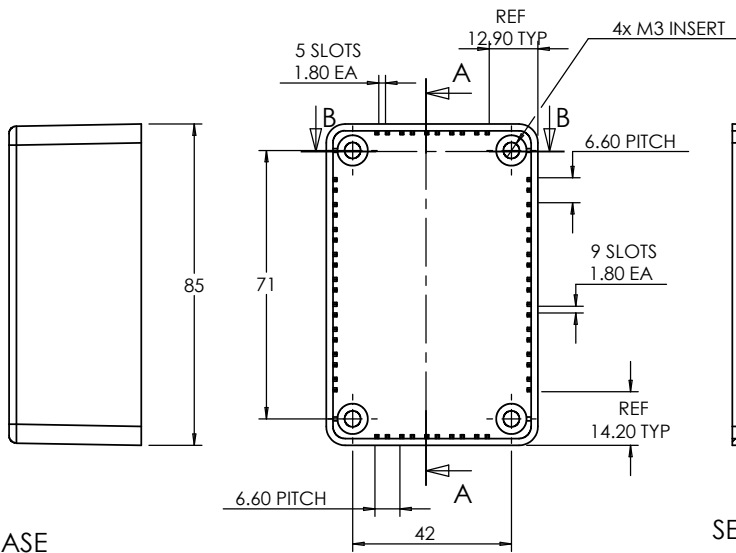
SECTION B-B



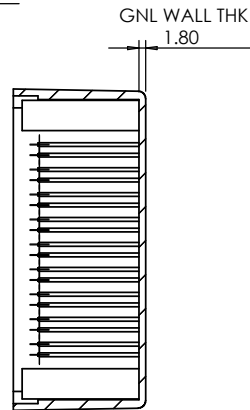
M3 CSK SCREW



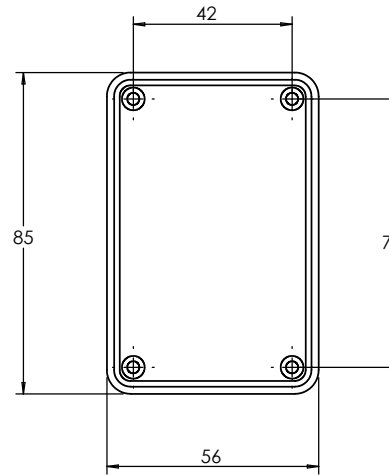
ISO VIEW



BASE



SECTION A-A



LID



		UNLESS OTHERWISE SPECIFIED: DIMENSIONS ARE IN MILLIMETERS		DO NOT SCALE DRAWING	REVISION. 0
		FINISH: SMOOTH		TITLE: ASSEMBLY DRG FOR 2001/11	
JAMES CARTER RD, MILDENHALL, SUFFOLK. IP28 7DE TEL: 01638 716101 FAX: 01638 716554 EMAIL: SALES@BOSS-ENCLOSURES.CO.UK WEB: www.BOSS-ENCLOSURES.CO.UK		MATERIAL: ABS	DWG NO. 2001,11	A4	
DRAWN	S.HARDINGE	SIGNED	SJH	DATE	30/09/05
CHK'D	-	-	-	PROJECTION.	
SCALE: 1 : 2			SHEET 1 OF 1		