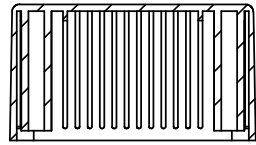


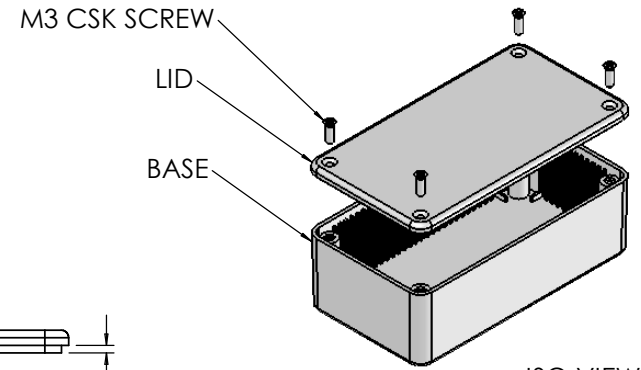
OVERALL ASSEMBLY DIMENSIONS:

EXTERNAL - 120 x 65 x 40

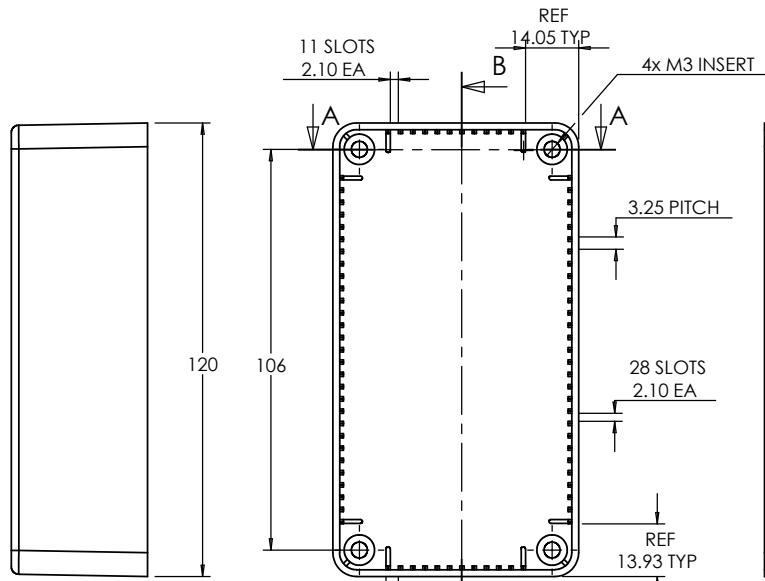
INTERNAL - 116.4 x 61.4 x 36.2



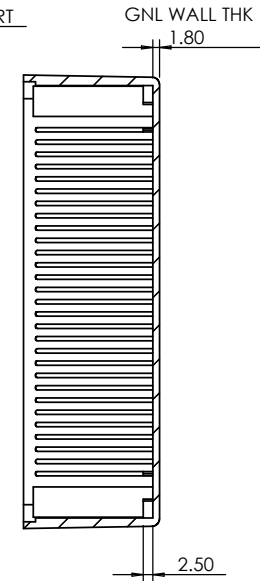
SECTION A-A



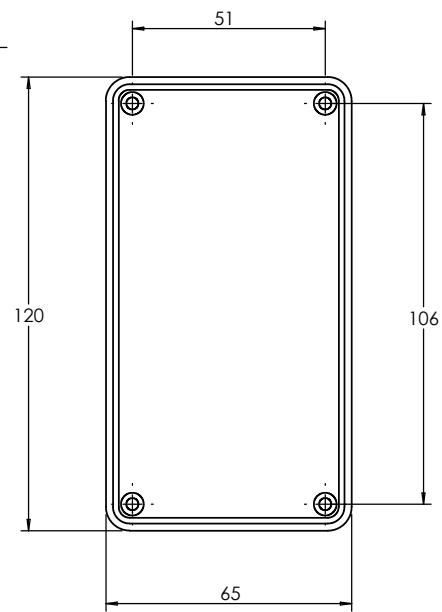
ISO VIEW
1:3



BASE



SECTION B-B



LID

		UNLESS OTHERWISE SPECIFIED: DIMENSIONS ARE IN MILLIMETERS		DO NOT SCALE DRAWING	REVISION. 0
		FINISH: SMOOTH		TITLE: ASSEMBLY DRG FOR 2004/14	
JAMES CARTER RD, MILDENHALL, SUFFOLK. IP28 7DE TEL: 01638 716101 FAX: 01638 716554 EMAIL: SALES@BOSS-ENCLOSURES.CO.UK WEB: www.BOSS-ENCLOSURES.CO.UK		MATERIAL: ABS	DWG NO. 2004,14	A4	
DRAWN	S.HARDINGE	SIGNED	SJH	DATE	06/10/05
CHK'D	-	-	-	PROJECTION.	
SCALE: 1 : 2			SHEET 1 OF 1		