

Plug Top Power Adaptors

POWER
SOLVE

www.powersolve.co.uk

PSP24 Series
20-24 Watts Switch Mode
Universal AC Input

Features

- Interchangeable AC plugs that can be used in 4 different orientations when fitted to the power supply (enabling the adaptor body to be above, below, left or right of the mains socket).
- UK, Euro, USA & Australian input plugs
- Universal 90-264VAC Input
- Lightweight & compact dimensions
- Optional Output Connector
- Full Safety Approvals
- Class II Insulation



Electrical Specification

AC Input	90-264VAC
Short Circuit & Over current Protection	Auto Recovery
Input Frequency	47-63Hz
Over voltage Protection	110-115% Vout
Max Input Current	550mA
Operating Temperature	0 to 40°C
Max Inrush Current	30 Amps
Storage Temperature	-20 to +85°C
Efficiency	70% min (full load)
Operating Humidity	5-90% Non Condensing
DC Output	See table
Dimensions	97 x 45 x 34mm
Ripple & Noise	1% Vout
Safety Approvals	UL, cUL, GS(EN60950)
Hold Up Time	10mSec Minimum
EMC	Conforms to EN55022 & FCC'B'
Turn On Delay	1 Second Maximum
Output Connector	Standard is 2.1 x 5.5 x 9.5mm centre positive (Other connectors optional)

Plug Top Power Adaptors

POWER
SOLVE

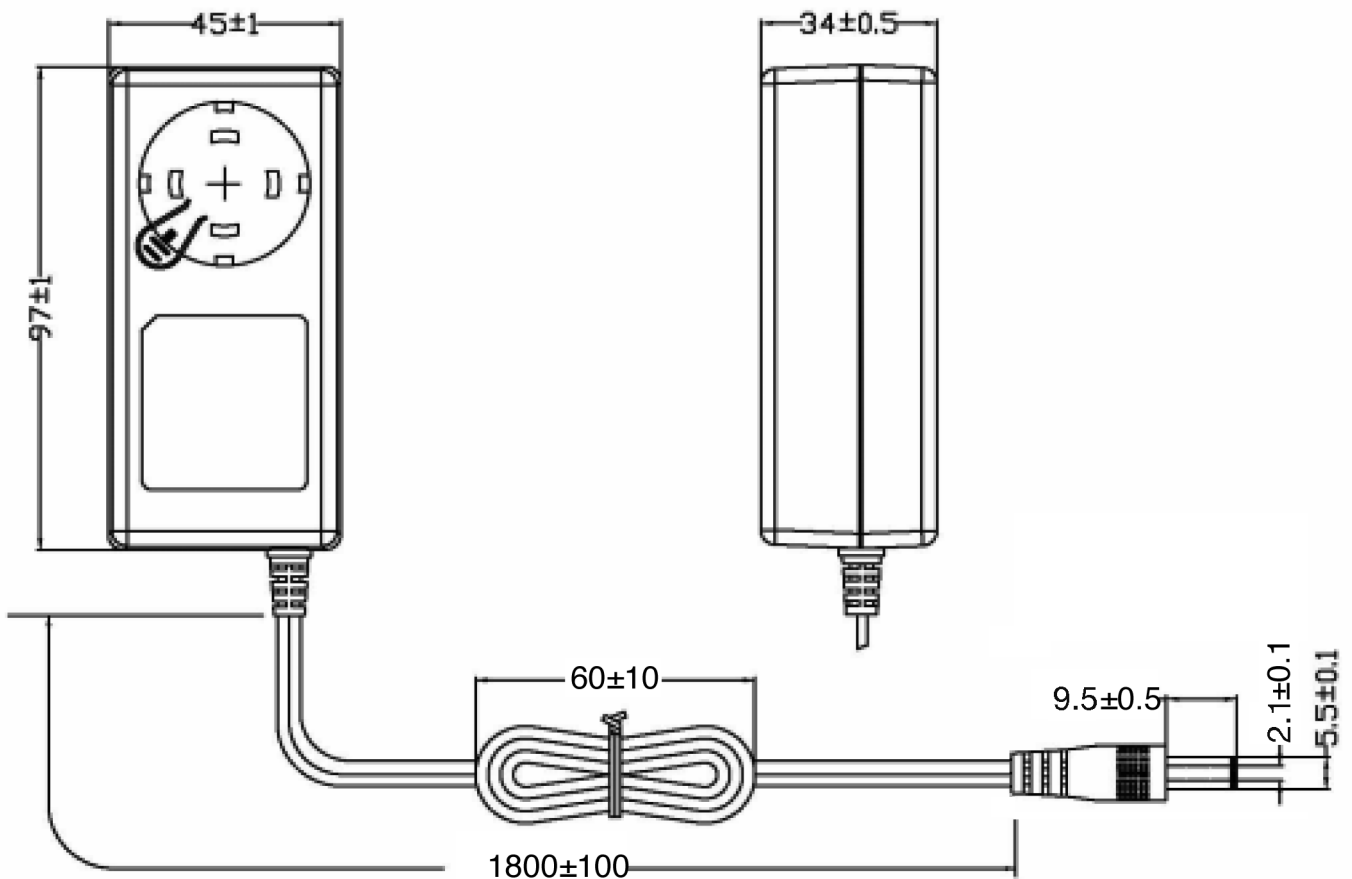
www.powersolve.co.uk

MODEL	OUTPUT VOLTAGE	OUTPUT CURRENT
PSP24-05-01	5V DC	4 AMPS
PSP24-06-01	6V DC	4 AMPS
PSP24-09-01	9V DC	2.6 AMPS
PSP24-10-01	10V DC	2.2 AMPS
PSP24-12-01	12V DC	2 AMPS
PSP24-15-01	15V DC	1.6 AMPS
PSP24-24-01	24V DC	1 AMPS

Note:

Suffix -01 denotes the standard 2.1 x 5.5 x 9.5mm output connector, other connector versions will have a different 2 digit suffix.

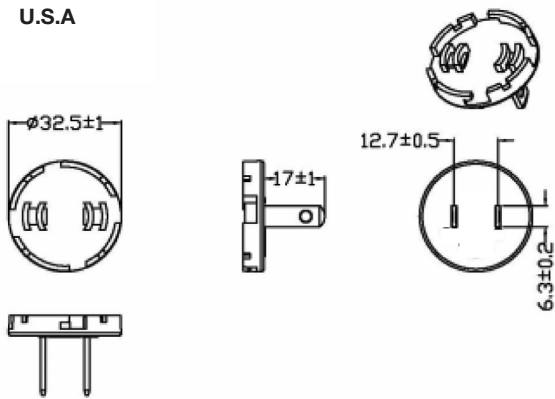
Mechanical: (Dimensions in mm)



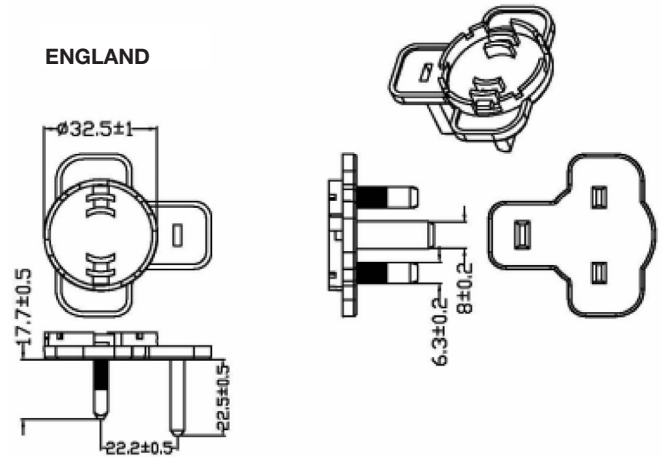
Plug Top Power Adaptors

AC INPUT PLUGS (Dimensions in mm)

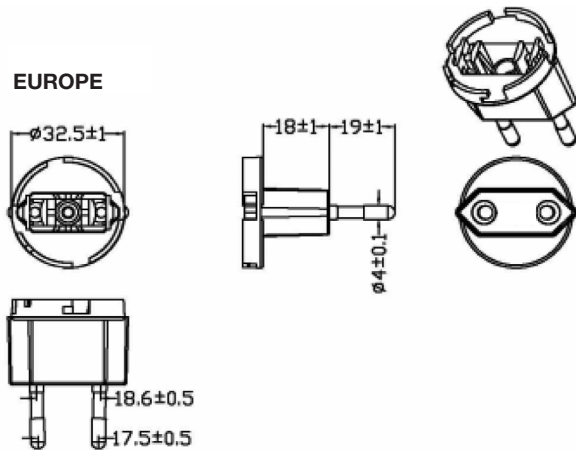
U.S.A



ENGLAND



EUROPE



AUSTRALIA

