

AC centrifugal fan

Backward curved



- **Impeller material:** All-plastic impeller of PA 6.6 GV, injected round sheet-metal plate
- **Bearings:** Maintenance-free ball bearings
- **Direction of rotation:** Right, looking at rotor

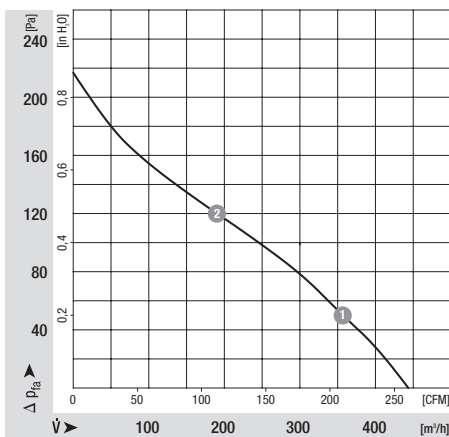
Nominal data

| Type | Motor | Voltage 1 - VAC | Frequency Hz | Air flow m³/h | Speed 1/min | Power consumption W | Current draw A | Sound pressure level dB(A) | Weight kg |
|--------------|----------|--------------------|-----------------|------------------|----------------|------------------------|-------------------|-------------------------------|--------------|
| R2S175AB5601 | M2S052CA | 230 | 50 | 440 | 2350 | 53 | 0.33 | 61 | 0.9 |

Subject to modification

Characteristic: Pressure over air flow at 50Hz

| n | P ₁ | ntl | Lpa |
|---------|----------------|-----|-------|
| [min-1] | [W] | [%] | [dBA] |

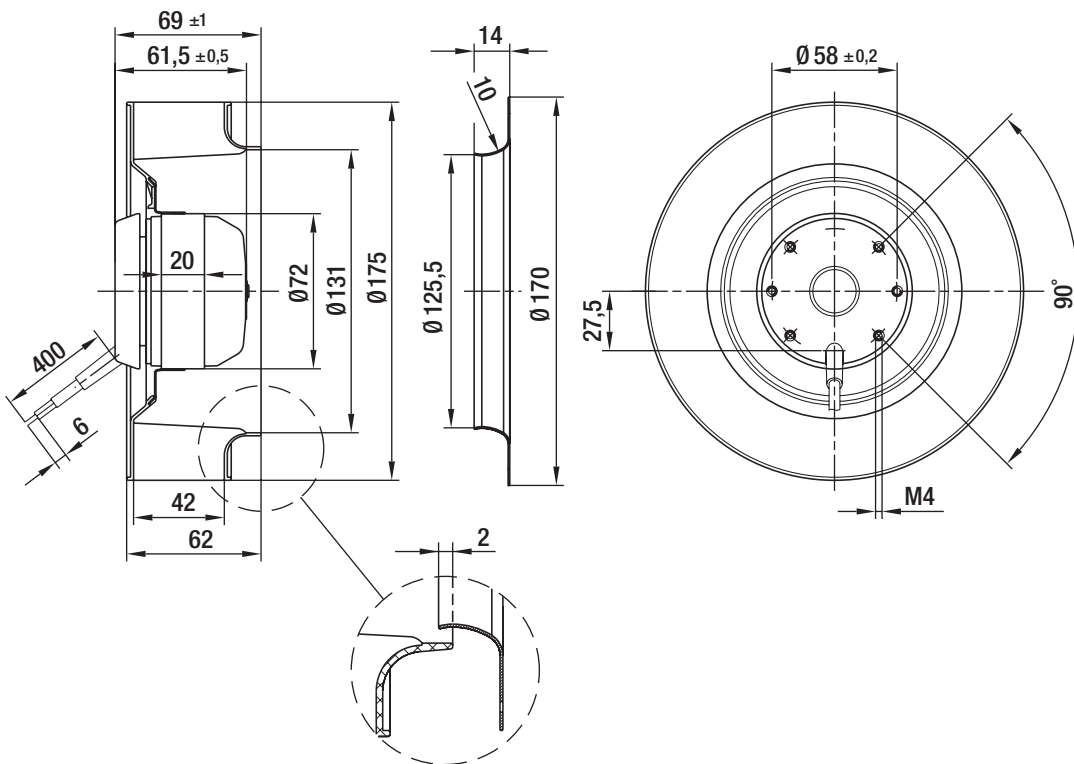


| | | | | |
|---|------|----|----|----|
| 1 | 2240 | 54 | -- | -- |
| 2 | 2120 | 56 | -- | -- |

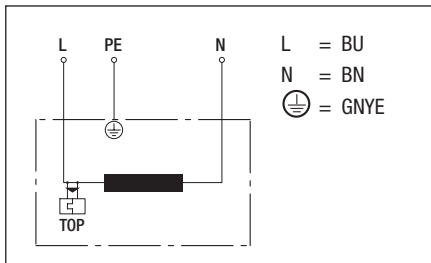
AC centrifugal fan

Backward curved

Specific drawing



Connection illustration



Technical description

- **Impeller material:** All-plastic impeller of PA 6.6 GV, injected round sheet-metal plate
- **Direction of rotation:** Right, looking at rotor
- **Cable layout:** Variable
- **Operating mode:** S1
- **Protection class:** I
- **Approvals:** CE
- **Bearings:** Maintenance-free ball bearings
- **Number of impeller blades:** 7
- **Screw depth:** Max. 5 mm
- **Insulation class:** "B"
- **System of protection:** IP 22

AC centrifugal fan

Backward curved

Contact

ebm-papst Mulfingen GmbH & Co. KG

Bachmühle 2

D-74673 Mulfingen

Phone +49 (0) 79 38 / 81-0

Fax +49 (0) 79 38 / 81-110

info1@de.ebmpapst.com

www.ebmpapst.com