

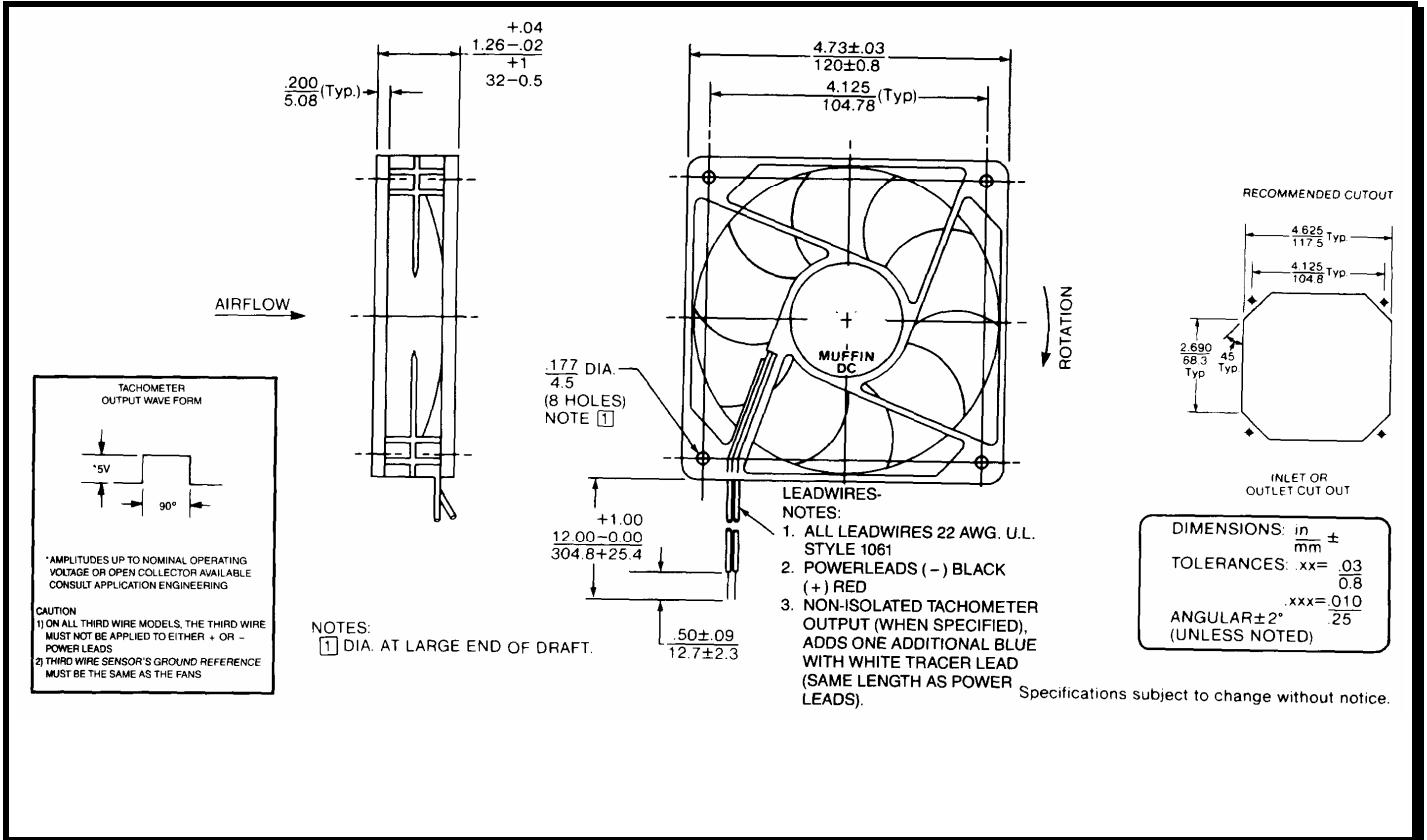
SPECIFICATIONS



Model Number: MC12T3H
Part Number: 032399

June 16, 2006

Mechanical Drawing:



Motor (full speed):

Nominal Voltage = 12 vdc
 Operating Voltage Range = 6 – 14 vdc
 Nominal Running Current = 0.66 amps
 Locked Rotor Current = 1.75amps
 Running Power = 7.9 watts
 Average Speed = 3700 RPM
 Bearings = Sleeve
 Air Flow = 102 CFM
 Acoustic = 47.8 dBA

Construction:

Venturi: Lexan 500, Black, UL 94V-0
 Propeller: Plastic, Black, UL 94V-0

Life Expectancy:

This fan is designed for continuous duty life of 50,000 hours at 40°C.

Additional Features:

Brushless DC Motor
 Electronic Locked Rotor Protected
 Polarity Protected
 Automatic Restart Capability
 Thermal Speed Control
 Operating Temperature: -10°C to 70°C
 Storage Temperature: -40°C to 85°C
 Thermal Speed Control

Termination:

PTC on 24" Zip cord
 12" Lead wires, 22AWG, UL 1061
 Red = Fan Power
 Black = Fan Ground

Agency Approvals:

UL, CSA, TUV