

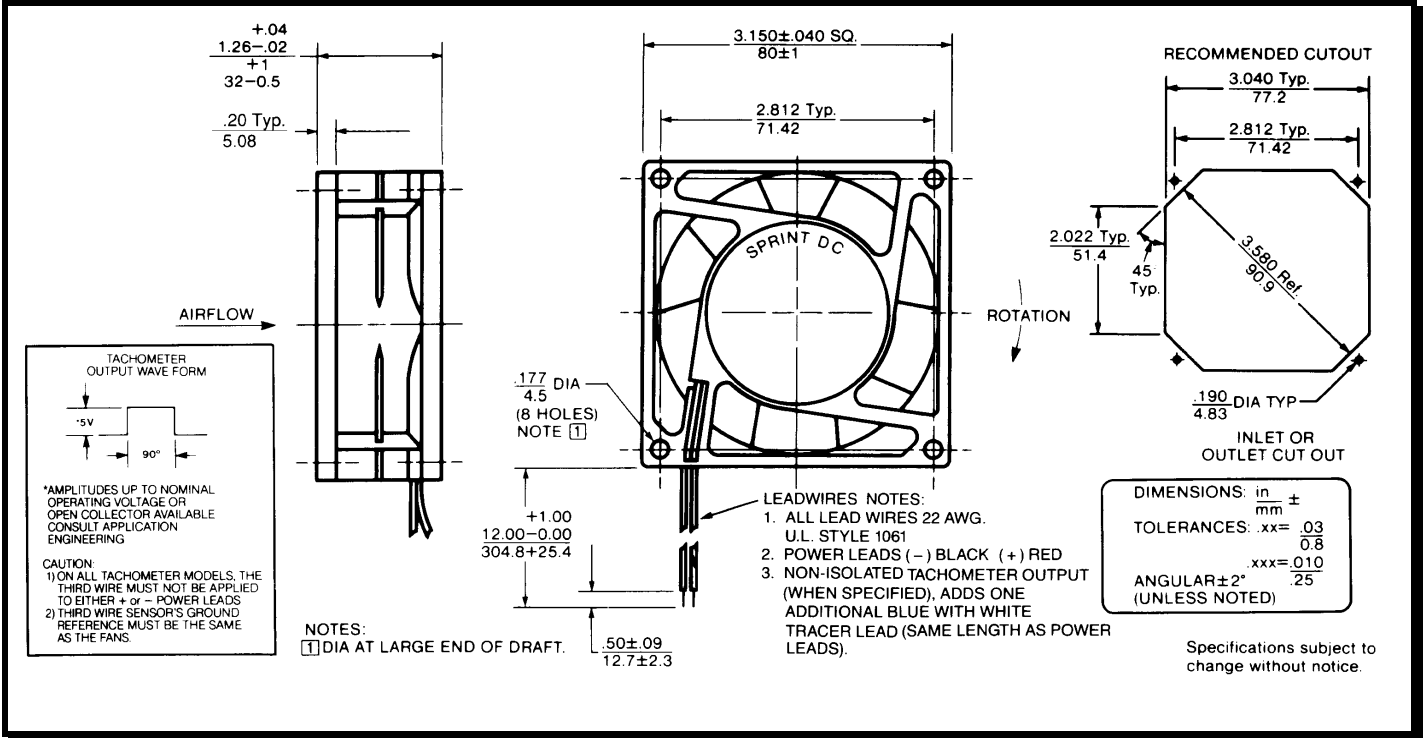
# SPECIFICATIONS



**Model Number:** ST12T3H  
**Part Number:** 032396

June 16, 2006

## Mechanical Drawing:



### Motor (full speed):

Nominal Voltage	= 12 vdc
Operating Voltage Range	= 6 – 14 vdc
Nominal Running Current	= 0.28 amps
Max. Locked Rotor Current	= 0.70 amps
Running Power	= 3.4 watts
Average Speed	= 3400 RPM
Bearings	= Sleeve
Air Flow	= 33 CFM
Acoustics	= 40.9 dBA

### Construction:

Venturi: Plastic, Black, UL94V-0  
 Propeller: Plastic, Black, UL94V-0

### Life Expectancy:

This fan is designed for continuous duty life of 55,000 hours at 40°C.

### Additional Features:

Brushless DC Motor  
 Locked Rotor Protection  
 Polarity Protection  
 Automatic Restart Capability  
 Operating Temperature: -10°C to 70°C  
 Storage temperature: -40°C to 85°C  
 Thermal Speed Control

### Termination:

Thermistor on 25" zip cord  
 12" Lead wires, 22 AWG, UL 1061  
 Red = Power (+)  
 Black = Return (-)

### Agency Approvals:

UL, CSA, TUV, CE