



Minotaur
MSR15D



safety monitoring relays & control units



0000

**Monitoring safety relay with immediate & delayed acting outputs.
Relais-Sicherheitsbaustein mit unverzögerten und verzögerten ausgängen.
Relais de sécurité avec sorties immédiates et temporisées.**

Contacts



2 Safety, 1 off Delay Safety + 1 Aux (outputs)

Protection

IP20

Conduit Entries

N/A

Fixing

35mm DIN Rail

Switching Capacity

250V AC, 4A 30V DC, 2A

Conformity To Standards

EN60204-1, EN954-1

EMC Tested

Pending

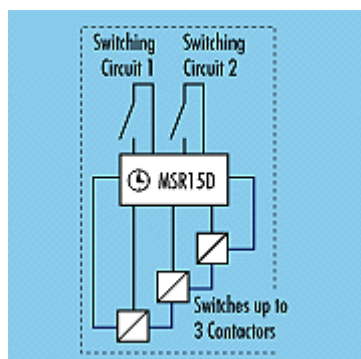
Comments

Can be used with PLC's, Failsafe internal monitoring, monitors 2 safety inputs

Approx. Dimensions

73 x 45 x 120mm

Application Examples



Ordering Details

Type	PartNo.
24V AC/DC	23048

[Installation sheet \(PDF\)](#) - (192K) **(To view the Installation sheet you will need the [Acrobat reader/plugin](#)).**

For a more detailed dimension drawing in DXF format, please [contact Guardmaster](#) Technical Support.

[Home](#) | [Seminars](#) | [Product Reference](#) | [New Products](#) | [Distributors](#) | [Links](#) | [Safety Publications](#) | [Contact Guardmaster](#)

Page last updated: 7/11/97