

IMO

Socket

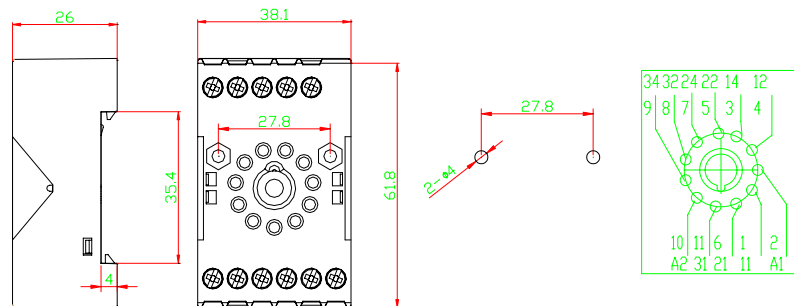
SRR11

Panel mount or 35mm DIN Rail
(EN50022)



Mounting Dimension

PCB Layout Inter Connection



Characteristics

Ambient temperature	-40~70℃
Rated voltage	300VAC
Rated current	15A (Per pole)
Insulation voltage	>5KV
Protection degree	IP20
Socket material	Self-extinguishing-PA66+GF(V0)
Contacts spring material	QSn6.5-0.1
Hold down spring	No
Modules (on request)	No
Stew Torque	0.6Nm
Wire strip length	7mm