








Euromas II, lid with membrane area

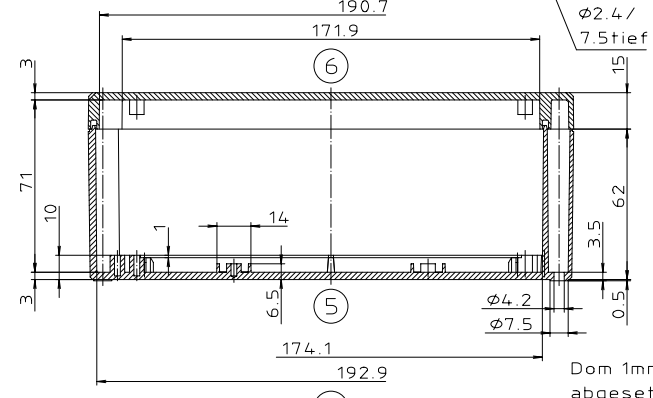
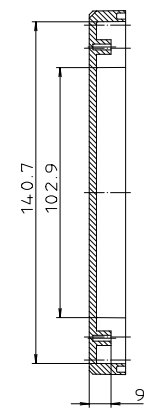
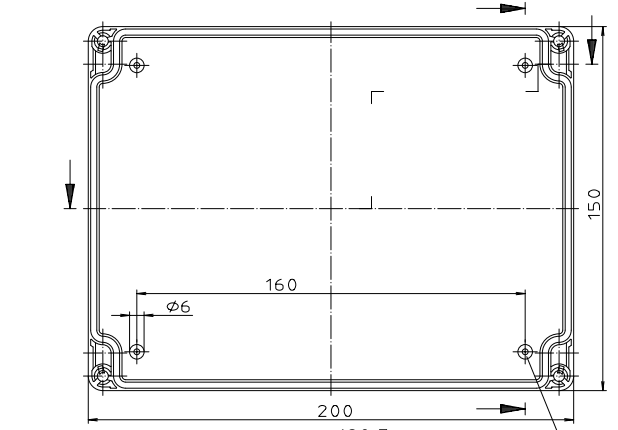
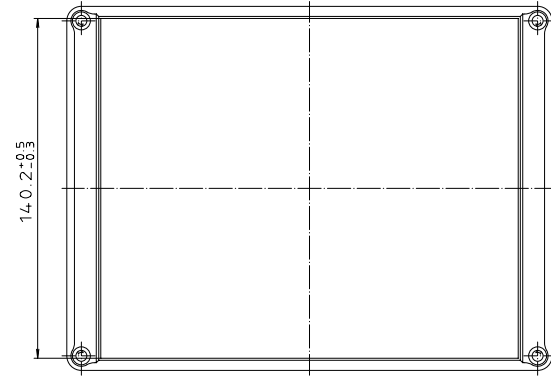
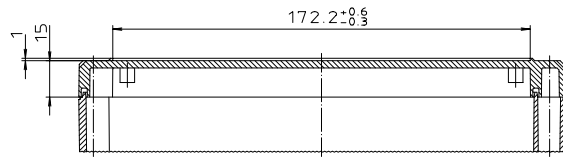
**Product no.:** 63223200  
**Length:** 200  
**Width:** 150  
**Height:** 77  
**Material:** ABS (acrylonitrile-butadiene-styrene)  
**Sealing material:** Neoprene  
**Color:** light grey  
**Ingress protection:** IP 65  
**PDF:**   
**DXF:** 

**Accessories:**

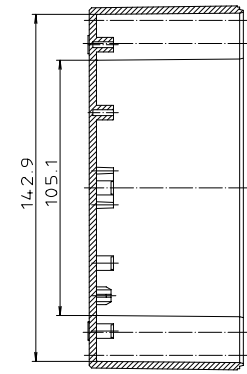
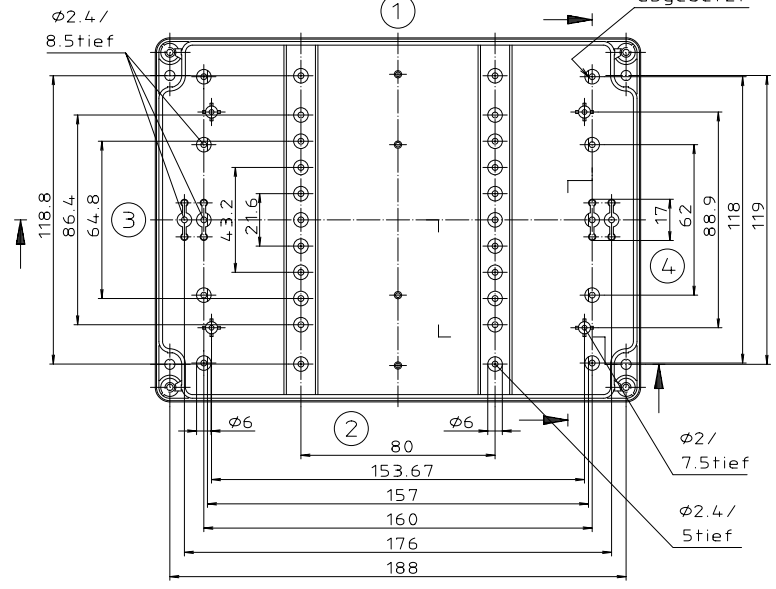
| Product no. | Model | Description   |
|-------------|-------|---|
| 22009000    | GF    |  Rubber feet, Polyurethane, black, 65-75 Shore, 1 set = 4 pcs. |
| 22080000    | SA    | screw covers (6 pcs), for Euromas II  |
| 22010000    | EM-WL |  wall bracket set = 4 pcs, for Euromas II                      |
| 22000800    | M     |  Mounting plate, for Euromas M/T 223                           |
| 22151901    | TS 15 | top hat rail DIN EN 60715 TH 15 - 15 x 5,5 for Euromas II, EM/ET 214/232/237  |
| 22321901    | TS 32 | G-rail DIN EN EN 60715 G 32 - 32 x 15, for Euromas II, EM/ET 214/221/223/232/237  |
| 22351901    | TS 35 | top hat rail DIN EN 60715 TH 35 - 35 x 7,5, for Euromas II, EM/ET 214/221/223/232/237   |



Ausführung EM/ET 223 F



Dom 1mm abgesetzt



„Schutzvermerk nach DIN 31-Beschriftung“

|                         |            |                    |  |
|-------------------------|------------|--------------------|--|
| Maßstab: 1:1            |            |                    |  |
| Zchn.Nr: 1K 5145.082.02 |            |                    |  |
| Artikel: EM/ET 223      |            |                    |  |
| EM/ET 223 F             |            |                    |  |
| Katalogzeichnung        |            |                    |  |
| 3033                    | 22.08.2002 | DISK: 2 500 997    |  |
| Ae.Nr.: Datum:          |            | Datum: 18.02.93 SM |  |