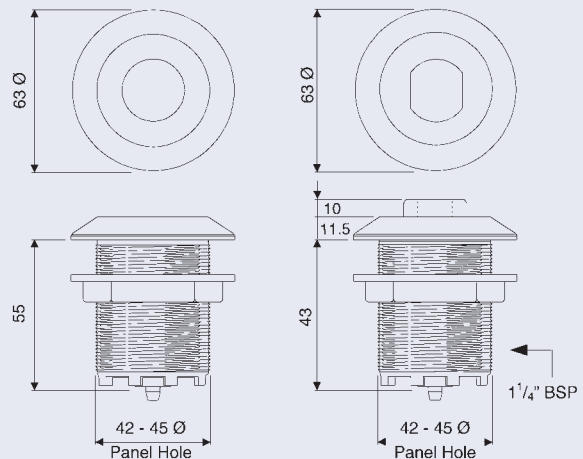




Stainless & Chrome Options

Plastic Variants



Benefits

- ❖ Choice of colours
- ❖ Extensive range of finishes
- ❖ Choice of tube options

- ❖ Choice of air connections
- ❖ Selection of styles including plastic, brass or stainless
- ❖ Large air volume for longer tube lengths

6442 - [] [] [] [] - [] [] [] []

1. Model Number

2. Button Type - please see note below

- A Flush Fitting Button
- B Raised Button (10mm High)
- C Extended Button (16mm High)
- D Round Button
- Z No Button Required

3. Button Finish - please see note below

- | | |
|-------------------|-----------------------|
| A White | B Brilliant White |
| C Chrome | D Gold |
| E Bone/Ivory | F Black |
| G Red | H Green |
| M Grey Plate | N Chrome Plated Brass |
| P Stainless Steel | Z None Supplied |

4. Escutcheon Finish - please see note below

- | | |
|-------------------|-----------------------|
| A White | B Brilliant White |
| C Chrome | D Gold |
| E Bone/Ivory | F Black |
| G Red | H Green |
| M Grey Plate | N Chrome Plated Brass |
| P Stainless Steel | Z None Supplied |

5. PVC Bellows Option

- A Bellows - 4mm Spout to suit 2311-01/08 Tube
- B Bellows - 2mm Spout to suit 2311-03 Tube
- Z No Bellows Required

6. Nut and Washer Option

- A Supplied with Nut and Washer
- B Supplied with a Nut Only
- Z No Nut or Washer Required

Note: Button Type option 'D' can only be supplied with Button Finish 'N' or 'P' and Escutcheon Finish 'N' or 'P' and vice versa.

For vandal resistant version order 6443-0001
 Similar to 6442-DPPA -A000 (stainless)