

Part Number: SC10-21SRWA SUPER BRIGHT RED

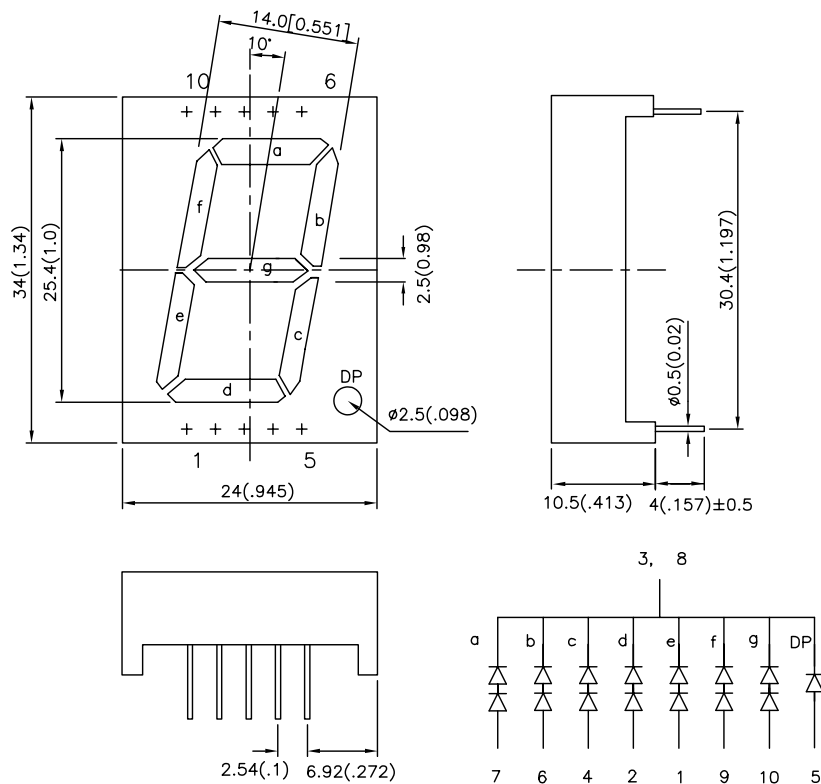
Features

- 1.0 INCH DIGIT HEIGHT.
- LOW CURRENT OPERATION.
- EXCELLENT CHARACTER APPEARANCE.
- HIGH LIGHT OUTPUT.
- EASY MOUNTING ON P.C. BOARDS OR SOCKETS.
- I.C. COMPATIBLE.
- MECHANICALLY RUGGED.
- STANDARD : GRAY FACE, WHITE SEGMENT.
- RoHS COMPLIANT

Description

The Super Bright Red source color devices are made with Gallium Aluminum Arsenide Red Light Emitting Diode.

Package Dimensions & Internal Circuit Diagram



Notes:

1. All dimensions are in millimeters (inches), Tolerance is $\pm 0.25(0.01)$ unless otherwise noted.
2. Specifications are subject to change without notice.

Selection Guide

| Part No. | Dice | Lens Type | Iv (ucd) [1] @ 10mA | | Description |
|-------------|---------------------------|----------------|------------------------|-------|--------------------------------------|
| | | | Min. | Typ. | |
| SC10-21SRWA | SUPER BRIGHT RED (GaAlAs) | WHITE DIFFUSED | 12000 | 60000 | Common Cathode ,Rt. Hand Decimal. |

Note:

1. Luminous Intensity / Luminous Flux: +/-15%.

Electrical / Optical Characteristics at TA=25°C

| Symbol | Parameter | Device | Typ. | Max. | Units | Test Conditions |
|-----------------------|----------------------------------|------------------|------|------|-------|-----------------|
| λ_{peak} | Peak Wavelength | Super Bright Red | 660 | | nm | IF=20mA |
| λ_D [1] | Dominant Wavelength | Super Bright Red | 640 | | nm | IF=20mA |
| $\Delta\lambda_{1/2}$ | Spectral Line Half-width | Super Bright Red | 20 | | nm | IF=20mA |
| C | Capacitance | Super Bright Red | 45 | | pF | VF=0V;f=1MHz |
| VF [2] | Forward Voltage (Per segment) | Super Bright Red | 3.7 | 5.0 | V | IF=20mA |
| IR | Reverse Current (Per segment) | Super Bright Red | | 10 | uA | VR = 10V |

Notes:

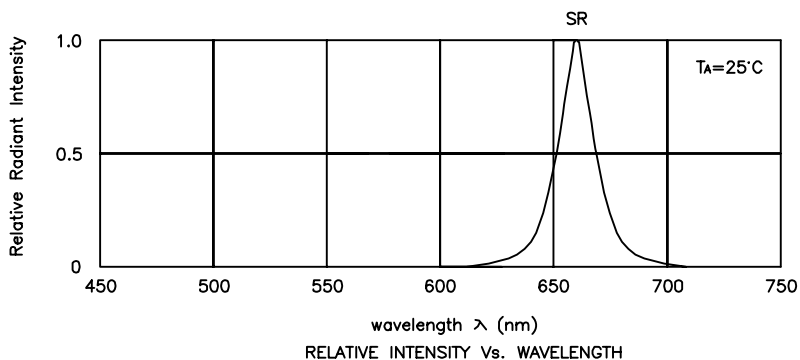
1. Wavelength: +/-1nm.
2. Forward Voltage: +/-0.1V.

Absolute Maximum Ratings at TA=25°C

| Parameter | Super Bright Red | Units |
|--|---------------------|-------|
| Power dissipation (Per segment) | 150 | mW |
| DC Forward Current (Per segment) | 30 | mA |
| Peak Forward Current [1] (Per segment) | 155 | mA |
| Reverse Voltage (Per segment) | 10 | V |
| Operating/Storage Temperature | -40°C To +85°C | |
| Lead Solder Temperature [2] | 260°C For 3 Seconds | |

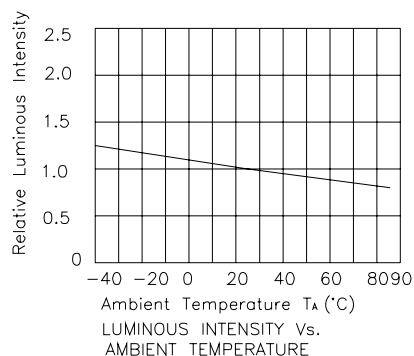
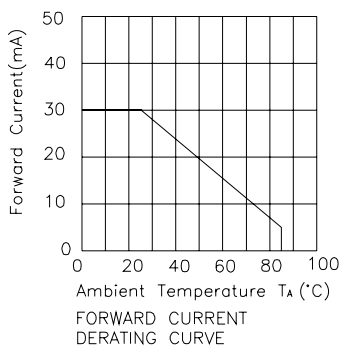
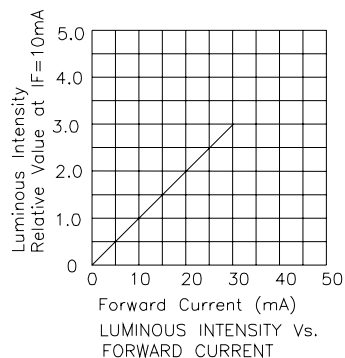
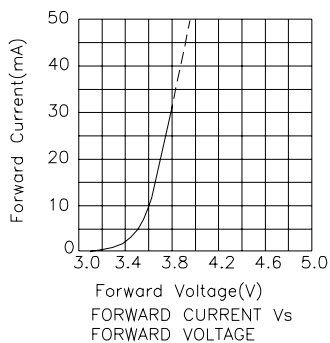
Notes:

1. 1/10 Duty Cycle, 0.1ms Pulse Width.
2. 2mm below package base.



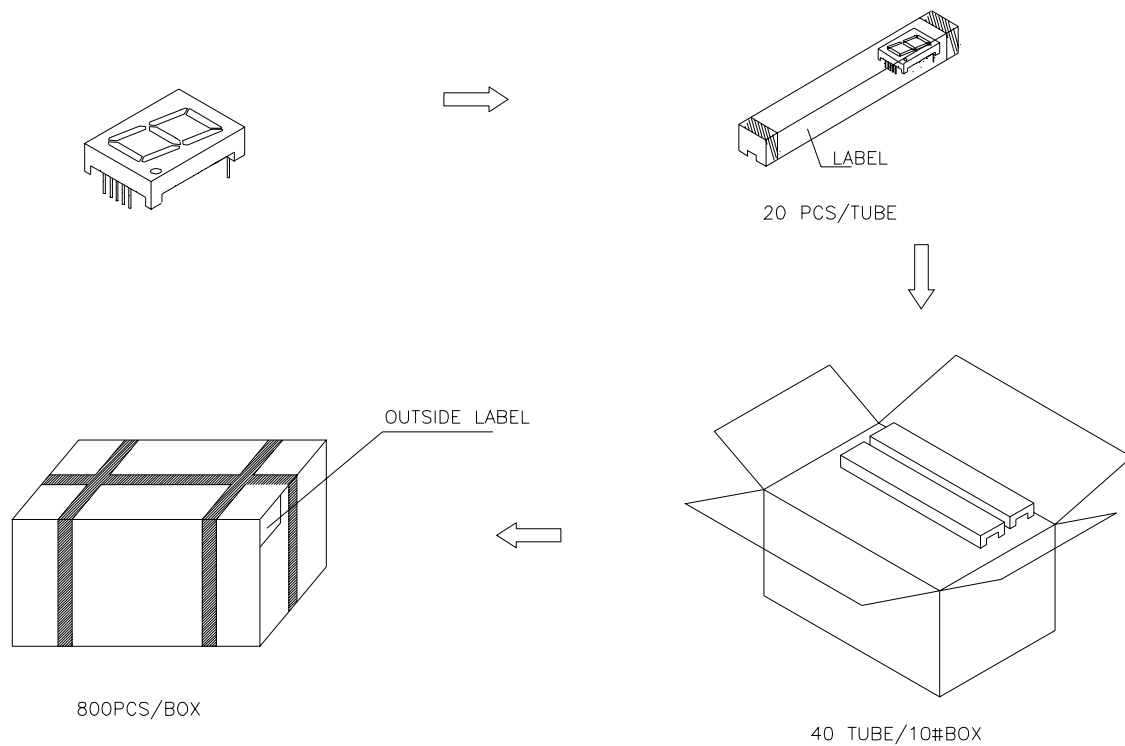
Super Bright Red

SC10-21SRWA

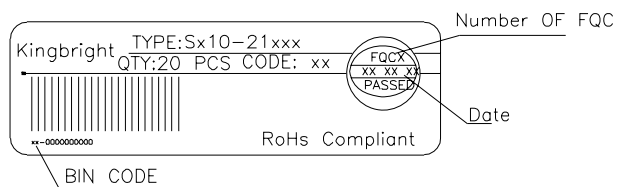


PACKING & LABEL SPECIFICATIONS

SC10-21SRWA



Inside LABEL Paste On The IC-tube



Outside LABEL Paste On The Box

