

MICRO SWITCH
 FREEPORT, ILLINOIS, U.S.A
 A DIVISION OF HONEYWELL
 FED. MFG. CODE 91929

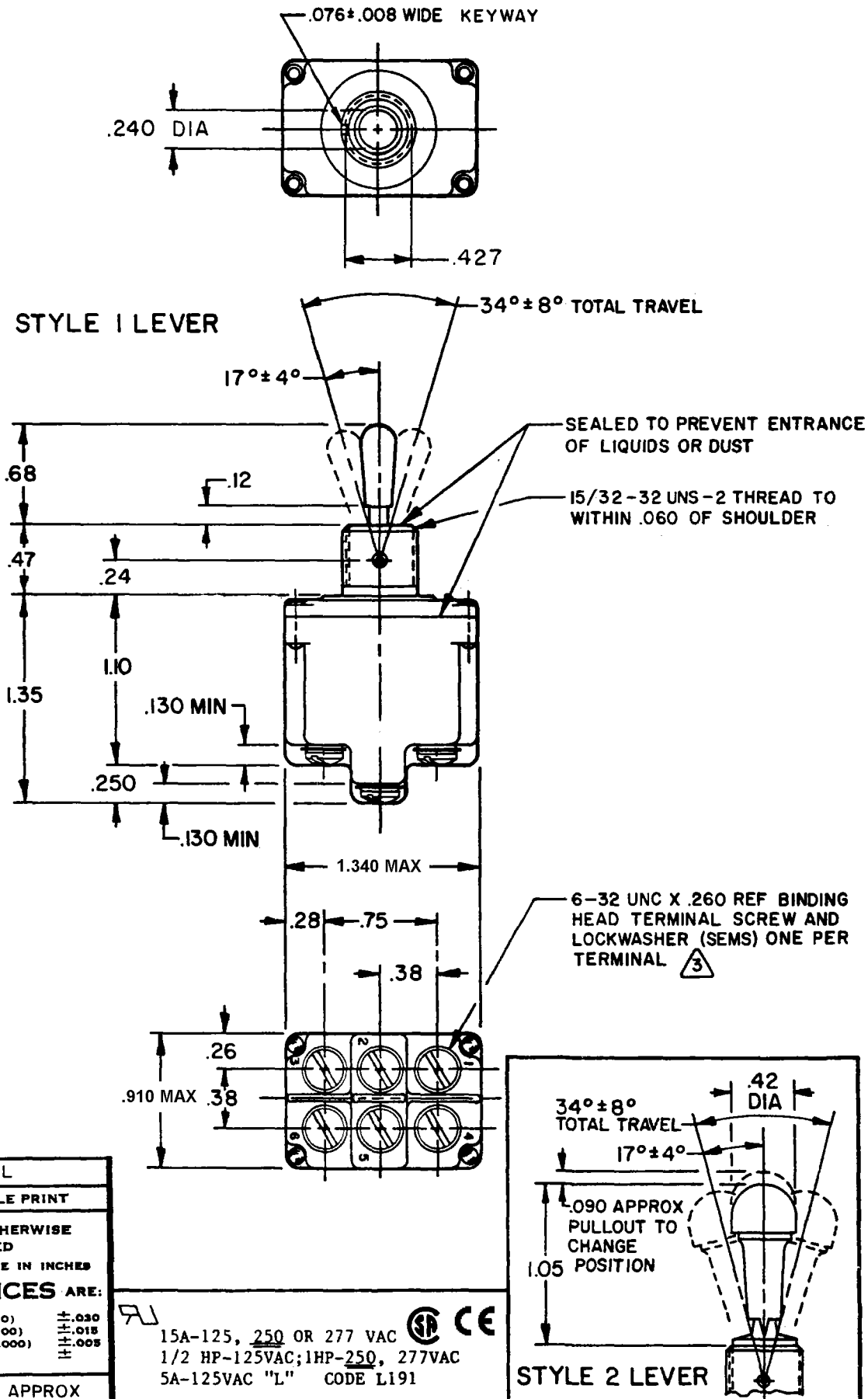
SWITCH-TOGGLE

CATALOG LISTING
2TL1-12 SERIES
CHART 1

MILITARY STANDARD NUMBER	CATALOG LISTING	AVAILABLE LOCKING COMBINATIONS FOR CONFIGURATION SEE LETTERED DETAILS	STYLE NUMBER	MILITARY RATING (AMPS)								
				RESISTIVE LOAD				LAMP LOAD		INDUCTIVE LOAD		
				DC VOLTS	IAC VOLTS	28 VDC	125 VAC	28 VDC	125 VAC			
27407-1	2TL1-12	NONE	1	20	.75	.5	15	6	7	4	15	15
27408-1	2TL1-12	A, B, D, E, F, G, H, J, K, L, M, N, P	2									

THIS DRAWING COVERS A PROPRIETARY ITEM AND IS THE PROPERTY OF MICRO SWITCH. A DIVISION OF HONEYWELL. THIS DRAWING IS NOT TO BE COPIED OR USED WITHOUT THE APPROVAL OF MICRO SWITCH.

CATALOG LISTING
M 2TL1-12 SERIES CHART 1
 PAGE 1 OF 1
 ISSUE **4**
 REVISIONS
 A 78047
 20 AUG 94
 B 94432
 23 NOV 99
 C 0003011
 05 FEB 04
 KRB
 FORMTEK
 DRAWN
 KDR 10 JUN 94
 CHECK KAG 23 JUN 94
 MDM 06 FEB 04
 CHECK
 RELEASE NO. CO-78465 REPLACES 2TL1-12 SERIES



"A" LOCKED IN THREE POSITIONS	"B" LOCKED IN CENTER AND EXTREME POSITION (KEYWAY SIDE)	"D" LOCKED OUT OF CENTER POSITION	"E" LOCKED IN CENTER POSITION	"F" LOCKED IN EXTREME POSITION (OPPOSITE KEYWAY)	
"G" LOCKED IN EXTREME POSITION (KEYWAY SIDE)	"H" LOCKED OUT OF CENTER AND EXTREME POSITION (KEYWAY SIDE)	"J" LOCKED OUT OF CENTER AND EXTREME POSITION (OPPOSITE KEYWAY)	"K" LOCKED IN CENTER AND EXTREME POSITION (OPPOSITE KEYWAY)	"L" LOCKED OUT OF EXTREME POSITION (KEYWAY SIDE)	
"M" LOCKED OUT OF AND INTO EXTREME POSITION (OPPOSITE KEYWAY)	"N" LOCKED OUT OF EXTREME POSITION (OPPOSITE KEYWAY)	"P" LOCKED OUT OF AND INTO EXTREME POSITION (KEYWAY SIDE)			

CIRCUIT MADE WITH TOGGLE LEVER IN		
KEYWAY SIDE	CENTER	OPPOSITE KEYWAY
MAINTAINED POSITION	MAINTAINED POSITION	MAINTAINED POSITION

HEX NUT (2)

- NOTES**
- SWITCHES ARE CAPABLE OF WITHSTANDING A TEMPERATURE OF 160°F CONTINUOUSLY AT FULL RATED LOAD
 - CIRCUIT DESIGNATION, MICRO SWITCH CATALOG LISTING AND MS NUMBER MARKED ON SIDE OF SWITCH
 - FURNISHED UNASSEMBLED
 - FOR TERMINAL COVER SEE MICRO SWITCH CAT. LIST. 5PA8
 - KEYWAY SHOWN ON LEFT SIDE
 - SUFFIX LETTER MUST BE ADDED FOR DESIRED TYPE OF TOGGLE LOCKING. SEE CHART FOR AVAILABLE LOCKING COMBINATIONS
 - THESE SWITCHES ARE QUALIFIED UNDER MIL-S-3950

SCALE FULL
 DO NOT SCALE PRINT
 UNLESS OTHERWISE NOTED
 DIMENSIONS ARE IN INCHES
TOLERANCES ARE:
 ONE PLACE (.0) ±.030
 TWO PLACE (.00) ±.015
 THREE PLACE (.000) ±.005
 ANGLES
 WEIGHT .15 LB APPROX

15A-125, 250 OR 277 VAC
 1/2 HP-125VAC; 1HP-250, 277VAC
 5A-125VAC "L" CODE L191