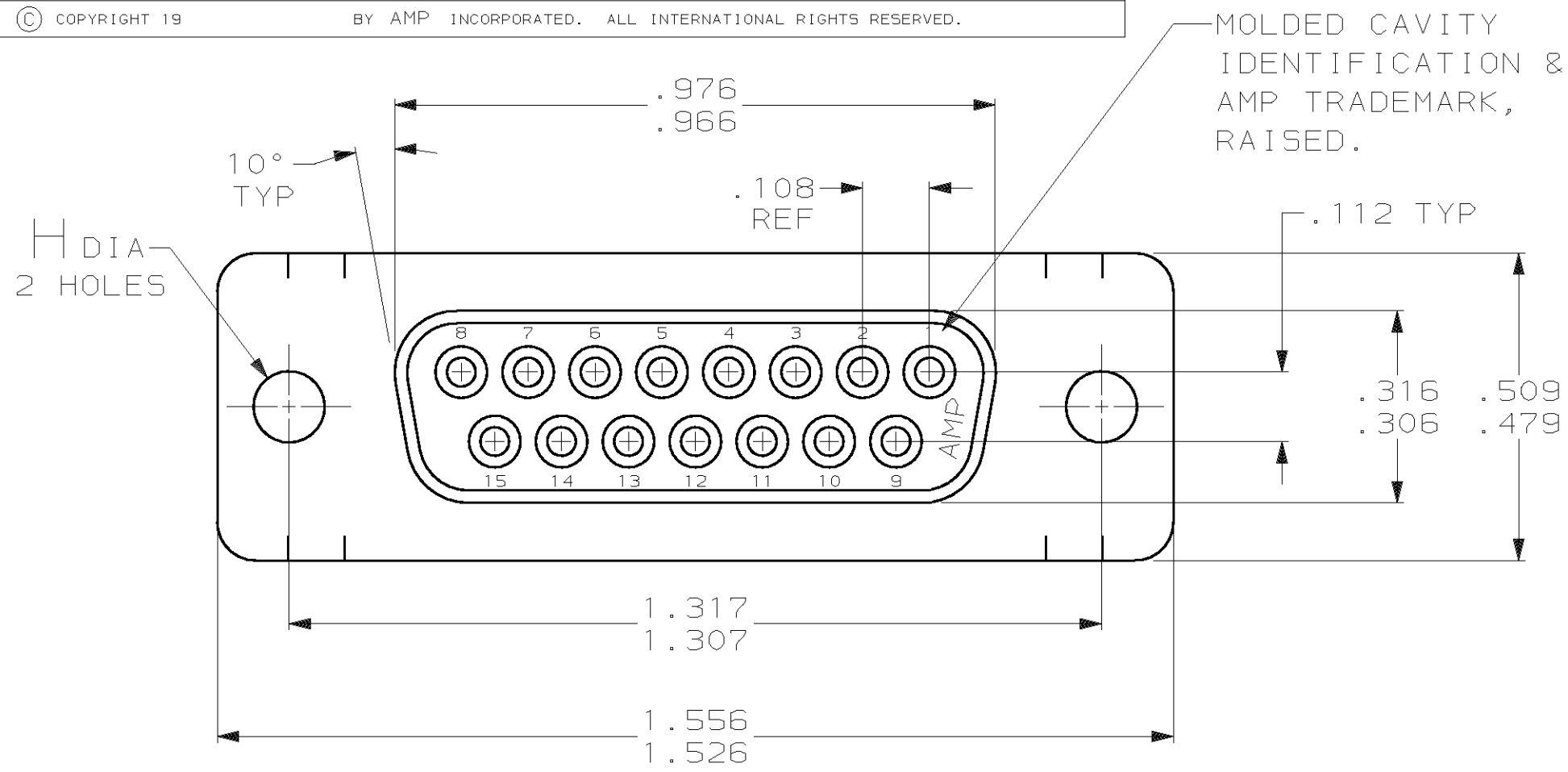
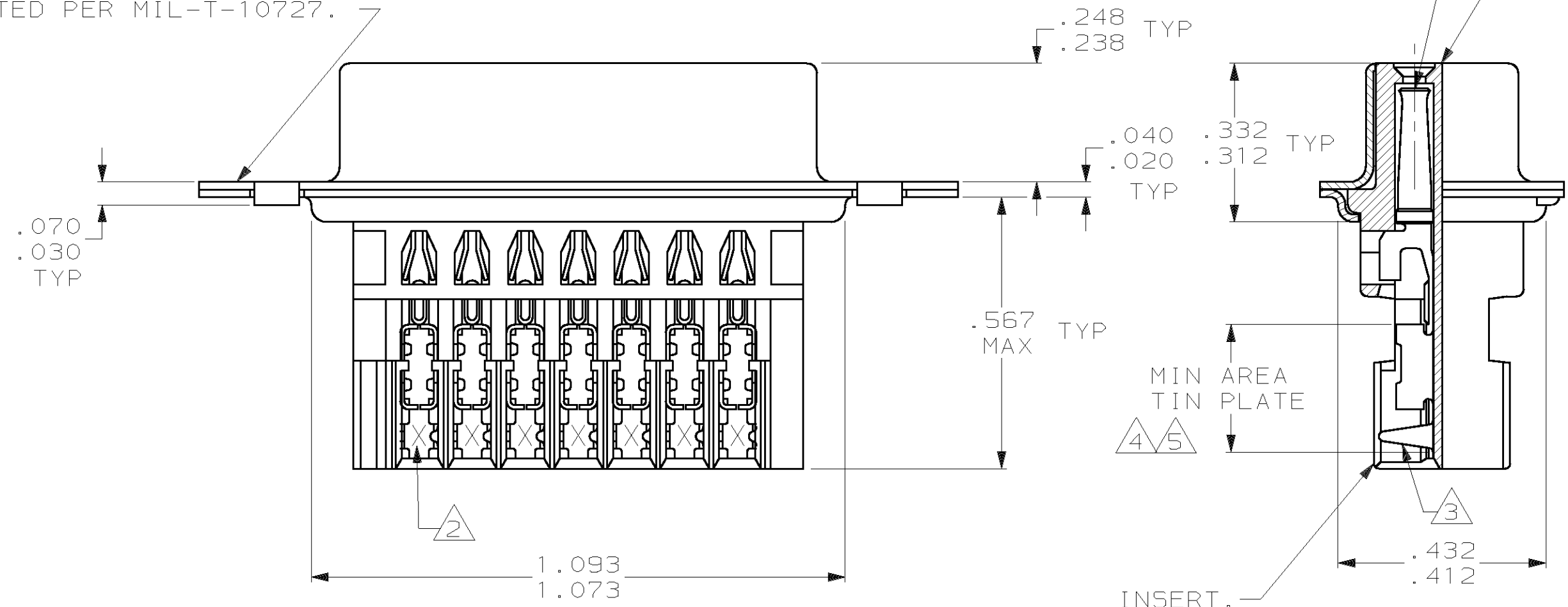


THIS DRAWING IS UNPUBLISHED. RELEASED FOR PUBLICATION  
 © COPYRIGHT 19 BY AMP INCORPORATED. ALL INTERNATIONAL RIGHTS RESERVED.

LOC		DIST		P		F		ZONE		LTR		REVISIONS		
GP		00										DESCRIPTION	DATE	APPD
												REV PER EC OUE0-0002-01	10 JAN 02	JR



SHELL, STEEL, PER QQ-5-698 BRIGHT-TIN PLATED PER MIL-T-10727.



PACKAGING	SIZE	FSCM NO	DRAWING NO	AWG WIRE RANGE	PART NUMBER
SMALL PACK	.125 .115	5	2	#22-26	1-745493-3
STANDARD	.156 .146	5	3	#20-22	1-745493-2
			2	#22-26	1-745493-1
			1	#26-30	1-745493-0
STANDARD	.156 .146	4	3	#20-22	745493-9
			2	#22-26	745493-8
			1	#26-30	745493-7
STANDARD	.125 .115	5	3	#20-22	745493-6
			2	#22-26	745493-5
			1	#26-30	745493-4
STANDARD	.125 .115	4	3	#20-22	745493-3
			2	#22-26	745493-2
			1	#26-30	745493-1

- 1 HOUSING FULLY LOADED WITH CONTACTS.
- 2 NUMBER ON CONTACT INDICATES WIRE RANGE.
- 3 CONTACT INSULATION RANGE: .060 MAXIMUM O.D.
- 4 .000030 GOLD ON MATING END FOR .100 MIN LENGTH. .000100-.000200 BRIGHT TIN OR BRIGHT TIN-LEAD IN AREA SHOWN. .000050 NICKEL UNDERPLATE ON ENTIRE CONTACT.
- 5 .000001 MIN GOLD ON MATING END FOR .100 MIN LENGTH. .000100-.000200 BRIGHT TIN OR BRIGHT TIN-LEAD IN AREA SHOWN. .000030 NICKEL UNDERPLATE ON ENTIRE CONTACT.

- 6 SUPERSEDED BY 745493-1
- 7 SUPERSEDED BY 745493-5
- 8 OBSOLETE

DO NOT SCALE PRINT. UNLESS SPECIFIED DIMENSIONS IN INCHES TOLERANCES ON : 2 PLC DEC ± - 3 PLC DEC ± .005 ANGLES ± 2°	DR 3-20-90 J GALLUCCI BG CHK 4-12-90 J.WESTMAN APPD 4-17-90 J.WESTMAN APPD 4-17-90 J.ASSINI	AMP INCORPORATED Harrisburg, Pa. 17105	
MATERIAL SEE CALL OUT	PRODUCT SPEC 108-40011	NAME RECEPTACLE ASSEMBLY, METAL SHELL, SIZE 2, 15 POSITION, SERIES HDE-20 FOR MASS TERMINATION	
FINISH SEE TABLE	APPLICATION SPEC 114-40002	SIZE C	FSCM NO 00779
	WEIGHT -	SCALE 4:1	DRAWING NO 745493
			SHEET 1 OF 1