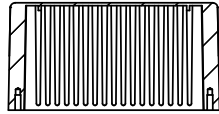


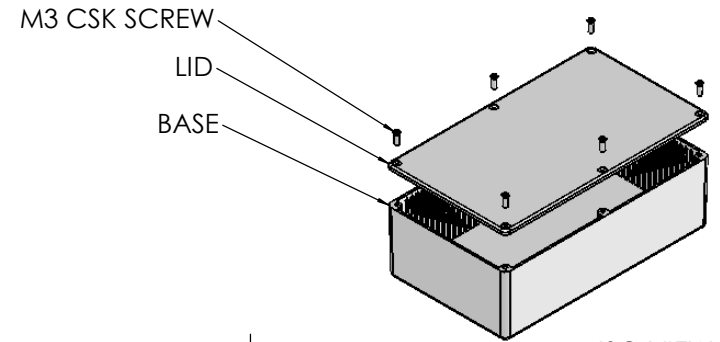
OVERALL ASSEMBLY DIMENSIONS:

EXTERNAL - 191.6 x 111.6 x 60.5

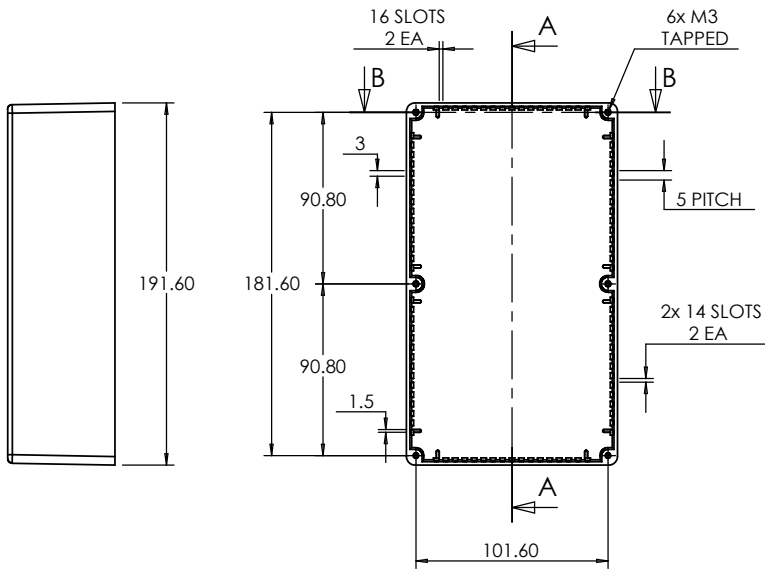
INTERNAL 188 x 108 x 56.3



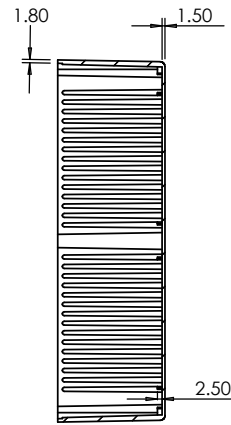
SECTION B-B



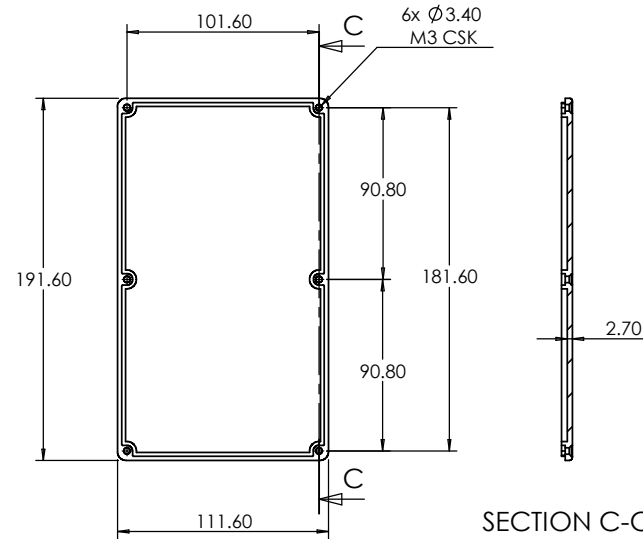
ISO VIEW
1:5



BASE

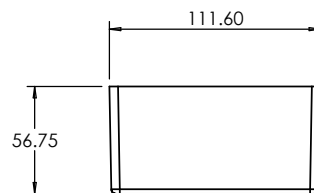


SECTION A-A



SECTION C-C

LID



| | | | | | | | | | | |
|---|--|---------------|--|--|--|---|--|---------------------------|--|--------------|
| <p>JAMES CARTER RD, MILDENHALL, SUFFOLK. IP28 7DE TEL: 01638 716101 FAX: 01638 716554 EMAIL: SALES@BOSS-ENCLOSURES.CO.UK WEB: WWW.BOSS-ENCLOSURES.CO.UK</p> | | | | UNLESS OTHERWISE SPECIFIED: DIMENSIONS ARE IN MILLIMETERS | | DO NOT SCALE DRAWING | | REVISION. 0 | | |
| | | | | FINISH: SMOOTH | | TITLE: ASSEMBLY DRG FOR 5006/16 | | | | |
| DRAWN S.HARDINGE | | SIGNED SJH | | DATE 07/12/05 | | MATERIAL: DIE-CAST ALUMINIUM | | DWG NO. 5006,16 | | A4 |
| CHK'D - | | - | | - | | PROJECTION. | | SCALE: 1 : 4 | | SHEET 1 OF 1 |