

tyco

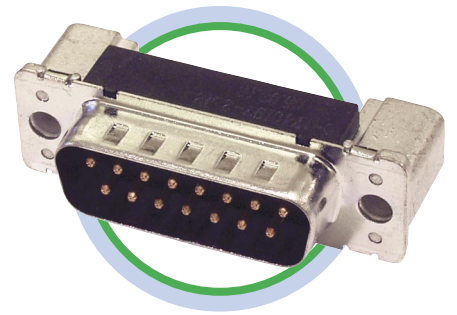
Electronics

Advanced Design
Surface Mount
PCB D-Sub
Connector



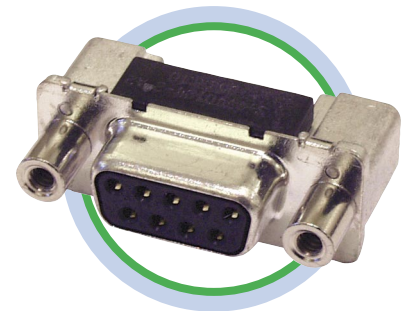
Advanced Design Surface Mount PCB D-Sub Connector

Tyco Electronics introduces the next generation of D-Subminiature connectors for surface mount assembly. Utilising key design features to ensure efficient and reliable processing, surface mounting of this industry standard interface connector becomes a reality for an increasingly wide range of applications. Available in 9 to 37 position plug and socket variants, and with a full choice of mounting hardware, this new connector sets the standard for tomorrow's interconnection requirements.



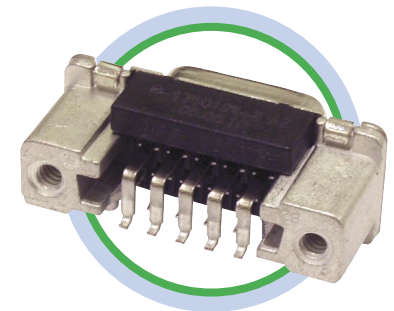
Features

- Controlled centre of gravity ensures stability during and after placement
- Fully pick and place capable without force using standard vacuum methods
- Large mounting brackets provide grounding and exceptional mechanical retention
- Low 3.6mm mounting height saves valuable space between circuit boards
- Hardware options for 4-40 and M3 threaded inserts or screwlocks



Specification

Front shell	- Steel, tin plated
Housing	- PCT - GV
Flammability	- UL 94V-0
Contact material	- CuMg
Contact area plating	- 0.80µm Au
Current rating	- 4.5 A max
Insulation resistance	- 5000 MΩ min initial
Dielectric strength	- 1000 Vac min
Temperature range	- -55°C to +105°C
Solderability	- Suitable for 260°C lead free reflow soldering Products with nickel plated shells available on request for higher temperature processing
Packaging	- Tape and reel Ø 380mm



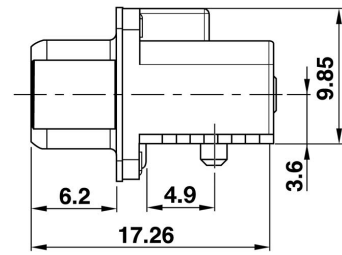
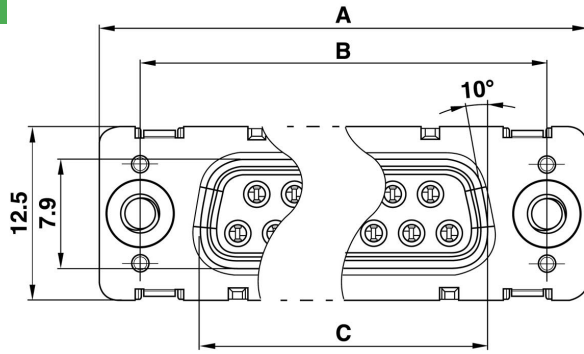
All materials are RoHS compliant

Type	No of Ways	3.1mm Hole	4-40 Threaded Inserts	4-40 Female Screw Locks	M3 Threaded Inserts	M3 Female Screw Locks
Socket	9	0-1740194-2	1-1740194-2	3-1740194-2	2-1740194-2	4-1740194-2
	15	0-1740196-2	1-1740196-2	3-1740196-2	2-1740196-2	4-1740196-2
	25	0-1740198-2	1-1740198-2	3-1740198-2	2-1740198-2	4-1740198-2
	37	0-1740200-2	1-1740200-2	3-1740200-2	2-1740200-2	4-1740200-2
Plug	9	0-1740195-2	1-1740195-2	3-1740195-2	2-1740195-2	4-1740195-2
	15	0-1740197-2	1-1740197-2	3-1740197-2	2-1740197-2	4-1740197-2
	25	0-1740199-2	1-1740199-2	3-1740199-2	2-1740199-2	4-1740199-2
	37	0-1740201-2	1-1740201-2	3-1740201-2	2-1740201-2	4-1740201-2

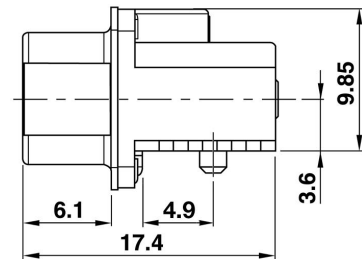
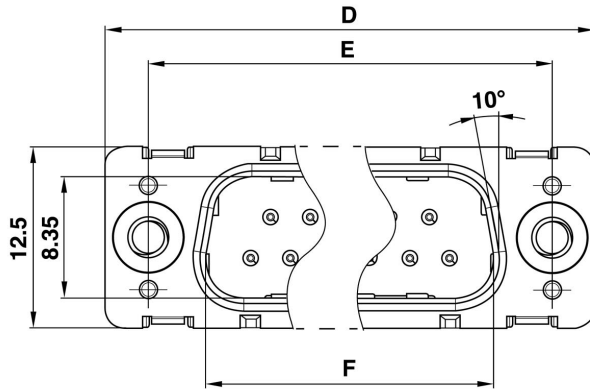
Dimensions

All dimensions are in mm

Socket



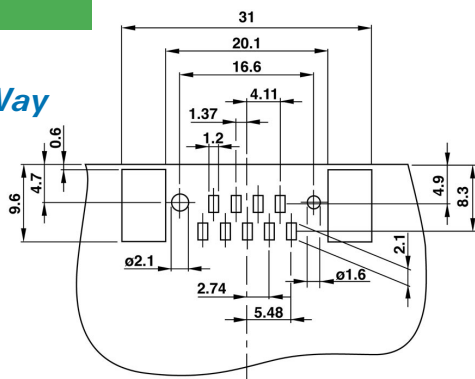
Plug



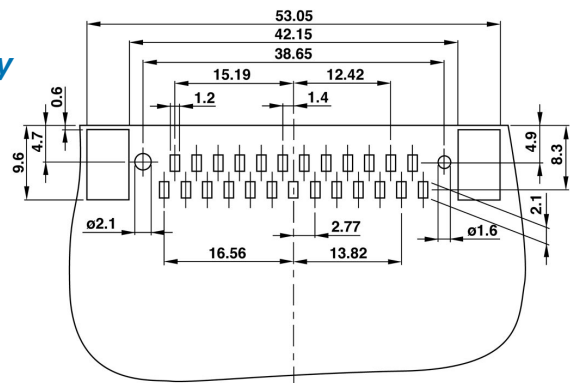
No. of Ways	A	B	C	D	E	F
9	30.80	25.00	16.33	30.80	25.00	16.92
15	39.20	33.32	24.66	39.20	33.32	25.25
25	53.05	47.05	38.37	53.05	47.05	38.96
37	69.40	63.50	54.83	69.40	63.50	55.42

PCB Layouts

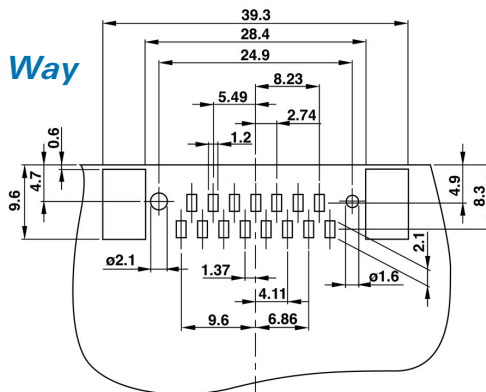
9 Way



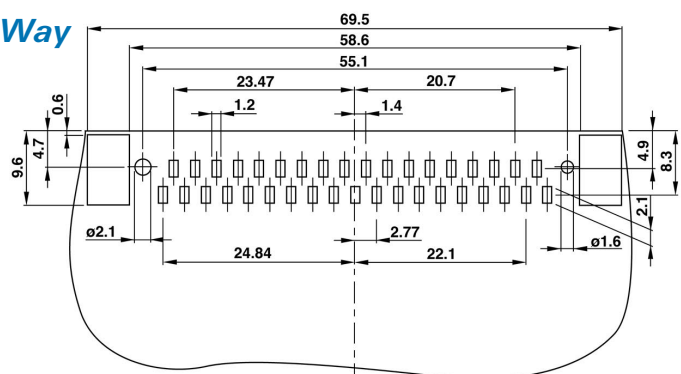
25 Way



15 Way



37 Way



Europe/Middle East/Africa

Austria - Vienna
Phone: +43-1-90-560-0
Fax: +43-1-90-560-1333

Belgium - Kessel-Lo
Phone: +32-16-352-300
Fax: +32-16-352-352

Bulgaria - Sofia
Phone: +359-2-971-2152
Fax: +359-2-971-2153

Czech Republic - Kurim
Phone: +420-5-41-162-111
Fax: +420-5-41-162-223

Denmark - Viby J
Phone: +45-70-15-52-00
Fax: +45-86-29-51-33

Egypt - Cairo
Phone: +20-2-417-76-47
Fax: +20-2-419-23-34

Estonia - Tallinn
Phone: +372-65-05-474
Fax: +372-65-05-470

Finland - Helsinki
Phone: +358-95-12-34-20
Fax: +358-95-12-34-250

France - Cergy-Pontoise
Cedex
Phone: +33-1-3420-8888
Fax: +33-1-3420-8600

Product Information Centre:
Phone: +33-1-3420-8686
Fax: +33-1-3420-8623

France Export Divisions -
Cergy-Pontoise Cedex
Phone: +33-1-3420-8888
Fax: +33-1-3420-8600

Germany - Bensheim
Phone: +49-6251-133-0
Fax: +49-6251-133-1600

Product Information Centre:
Phone: +49-6251-133-1999
Fax: +49-6251-133-1988

Great Britain -
Stanmore, Middlesex
Phone: +44-208-954-2356
Fax: +44-208-954-6234

Product Information Centre:
Freephone GB: 0800-267-666
Phone: +44-208-420-8341
Fax: +44-208-420-8081

Greece - Athens
Phone: +30-1-9370-396/397
Fax: +30-1-9370-655

Hungary - Budapest
Phone: +36-1-289-1000
Fax: +36-1-289-1010

Ireland - Dublin
Phone: +353-1-820-3000
Fax: +353-1-820-9790

Israel - Yokneam
Phone: +972-4-959-0508
Fax: +972-4-959-0506

Italy - Collegno
Phone: +39-011-4012-111
Fax: +39-011-4031-116

Product Information Centre:
Phone: +39-011-4012-360
Fax: +39-011-40287-360

Lithuania - Vilnius
Phone: +370-5-2131-402
Fax: +370-5-2131-403

Netherlands - 's-
Hertogenbosch
Phone: +31-73-6246-246
Fax: +31-73-6212-365

Product Information Centre:
Phone: +31-73-6246-999
Fax: +31-73-6246-998

Norway - Nesbru
Phone: +47-66-77-88-99
Fax: +47-66-77-88-55

Poland - Warsaw
Phone: +48-22-4576-700
Fax: +48-22-4576-720

Romania - Bucharest
Phone: +40-21-311-3479/3596
Fax: +40-21-312-0574

Russia - Moscow
Phone: +7-095-926-55-06...09
Fax: +7-095-926-55-05

Russia - St. Petersburg
Phone: +7-812-118-8192
Fax: +7-812-118-8193

Slovenia - Ljubljana
Phone: +386-1561-3270
Fax: +386-1561-3240

South Africa - Port Elizabeth
Phone: +27-41-405-4500
Fax: +27-41-486-1314

Spain - Barcelona
Phone: +34-93-291-0330
Fax: +34-93-201-7879

Product Information Centre:
Phone: +34-93-291-0330
Fax: +34-93-200-3779

Sweden - Upplands Väsby
Phone: +46-8-50-72-50-00
Fax: +46-8-50-72-50-01

Switzerland - Steinach
Phone: +41-71-447-0447
Fax: +41-71-447-0444

Turkey - Istanbul
Phone: +90-212-281-8181...3
+90-212-282-5130/5430
Fax: +90-212-281-8184

Ukraine - Kiev
Phone: +38-044-238-6908
Fax: +38-044-568-5740

tyco
Electronics

www.tycoelectronics.com

Catalogue No. 4-1773442-1 - November 2005

Tyco is a trademark

a vital part of your world