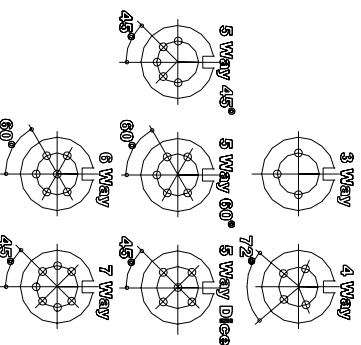
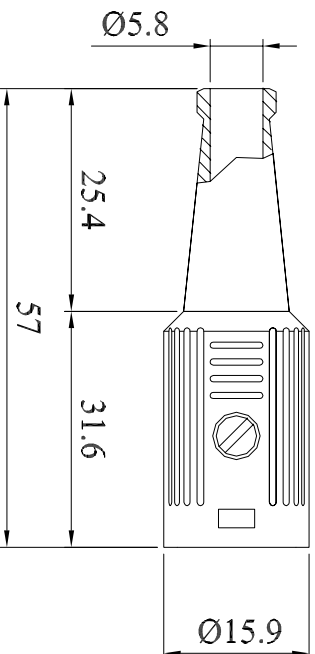


A fully screened robust range of DIN connectors for use in instrumentation and audio applications. Available in two finishes; bright nickel and non-reflective electrically conductive matt black. Robust construction incorporating cable grip and strain relief. This line socket mates with all standard and lockable plugs.

Manufactured to DIN 41524, 45322, 45326, 45327 and 45329.

<b>MATERIALS</b>	: Zinc Alloy
<b>HOUSING</b>	heavy nickel plated over copper
<b>MOULDING</b>	: Nylon
<b>CONTACTS</b>	: Brass Silver Plated
<b>CABLE CLAMP</b>	: Mild Steel zinc plated
<b>GROMMET</b>	: Black P. V. C.
<b>ELECTRICAL RATINGS</b>	
Working Voltage	100 Vd.c. or a.c. peak
Test Voltage	1000 Vd.c.
Insulation Resist.	$10^{11} \Omega$ min at 100 Vd.c.
Current Rating	4 A
Contact Resist.	10 m $\Omega$ max
Capacity (mated)	3 pF
Temp. Range	-25°C to +70°C

## Dimensions



Type	Deltron No
3 Way	600-0300
4 Way	600-0400
5 Way 45°	600-0500
5 Way 60°	600-0510
5 Way Dice	600-0520
6 Way	600-0600
7 Way	600-0700

CONVERTED FROM PS0457 ISS4 (19.06.96) IN JAN 2003

Drgn No 600 SERIES

TITLE SCREENED DIN CONNECTOR LINE SOCKET (NICKEL)

ALL DIMENSIONS IN MM  
ANGLES IN DECIMAL DEGREES



**DELTRON Components**

ES  
SS  
4

GENERAL SPECIFICATION  
FOR 600 SERIES

CUSTOMER

FILTER REF

Aprvd Date 10/02/03

Aprvd By MC

Drwn by BFS

Scale: NTS

Sheet 1 / 1