

Type: **NZMN1–M63**
 Article No.: **265720**
 Sales text **Circuit-breaker 3p 63A motor protection**



Ordering information

Motor ratings			
Rated short-circuit current 500 V/525 V	I_q	kA	50
Setting range			
Overload releases			50...63
Short-circuit release			504...882
Contactor type "1" coordination			DILM65(...)
Contactor type "2" coordination			DILM80(...)

Notes concerning the product group

The motor-starter combination consists of the motor protective circuit-breaker or circuit-breaker and contactor.

They conform with IEC/EN 60947-4-1 or VDE 0660 Part 102.

I_q = Rated conditional short-circuit current.

General

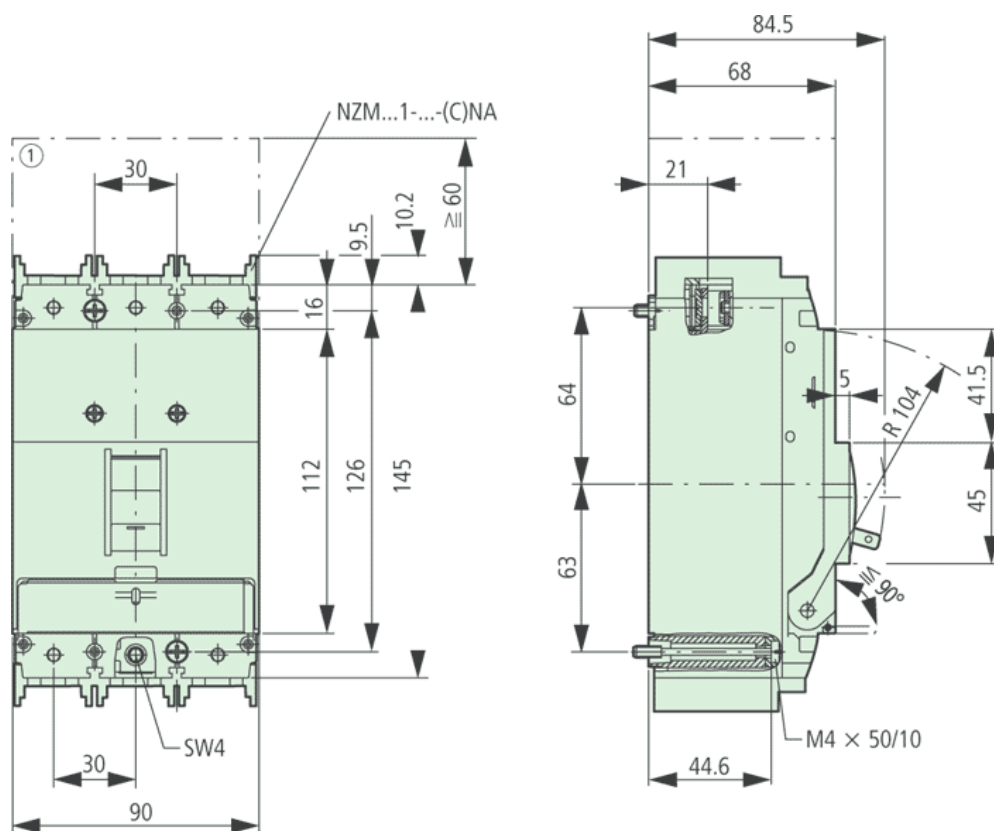
Standards			IEC/EN 61131-2 IEC/EN 60947-4
-----------	--	--	----------------------------------

Main conducting paths

Rated impulse withstand voltage	U_{imp}	V AC	6000
---------------------------------	-----------	------	------

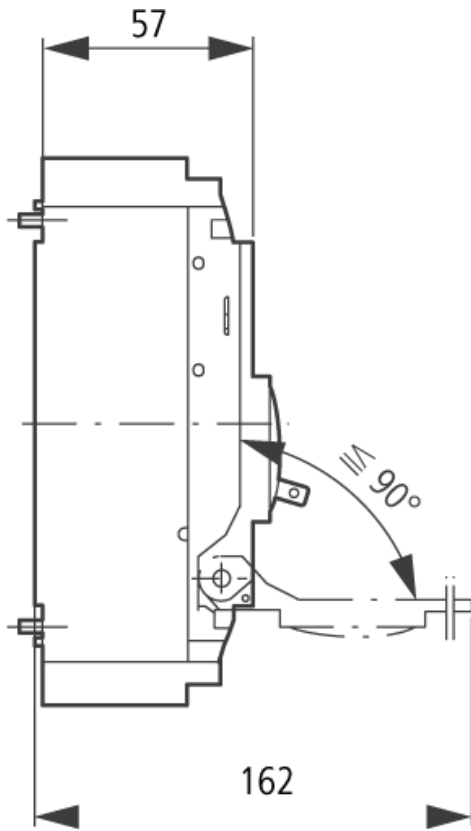
Overvoltage category/pollution degree			III/3
Rated operational voltage	U_e	V	230 – 415
Additional technical data			
Further information			DILM contactors, see contactors product group DILET timing relay, ETR, see contactors, electronic timing relays product group PKZM0 motor-protective circuit-breakers, see motor-protective circuit-breakers/PKZM0 product group

Dimensions



Blow out area, minimum clearance to other parts 60 mm

Dimensions



Moeller GmbH, Hein-Moeller-Str. 7-11, D-53115 Bonn
E-Mail: catalog@moeller.net, Internet: www.moeller.net, <http://catalog.moeller.net>
Copyright 2006 by Moeller GmbH. HPL-C2007G V2.1