



## PROFESSIONAL PHONO LINE PLUG

Sheet No. **PS 0439**

Date : 22.09.95

Issue No. 1

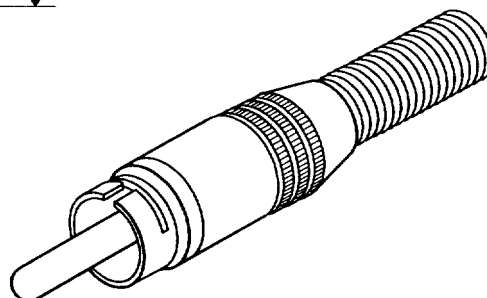
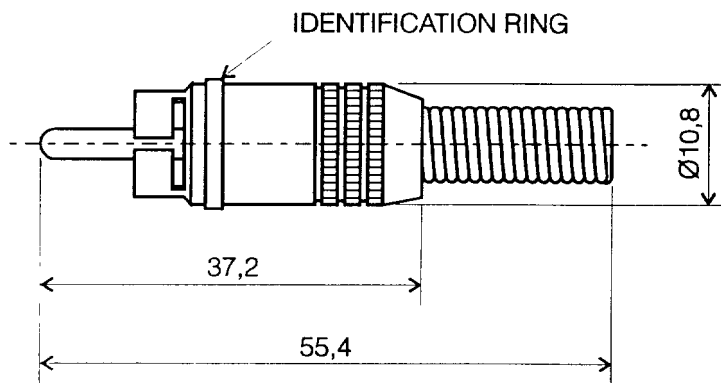
### PRODUCT SPECIFICATION

Sheet 1 of 1

Signature

Deltron Part No. **336-0000 - 0,5 $\mu$  GOLD PLATED**  
**336-0100 - 0,5 $\mu$  GOLD PLATED (BLACK ID RING)**  
**336-0200 - 0,5 $\mu$  GOLD PLATED (BLUE ID RING)**  
**336-0500 - 0,5 $\mu$  GOLD PLATED (RED ID RING)**  
**336-0600 - 0,5 $\mu$  GOLD PLATED (WHITE ID RING)**  
**336-0700 - 0,5 $\mu$  GOLD PLATED (YELLOW ID RING)**

### Dimensions



DIMENSIONS IN MILLIMETRES

### Description

A range of high quality UK manufactured phono plugs made from machined brass with various plating options.

- Center contact available in solid pin.
- Ground contact with unique 'T' shape slot for maximum contact area.
- Internal cable clamp for secure cable connection.
- Spring strain relief.
- Colour coded ID rings for easy cable identification.
- Attractive body styling.
- Maximum cable size 5,5mm.

Ratings - 5A at 200 Vdc/150 Vac max.

Insulation resistance - 100M  $\Omega$  at 500 Vdc

### Features

#### MATERIAL

CENTRE CONTACT	: Brass, 0,5 $\mu$ gold plated
GROUND CONTACT	: Brass, 0,5 $\mu$ gold plated
INSULATION	: Noryl SE1
CABLE CLAMP	: Brass, flash gold plated
SPRING	: Spring Steel, flash gold plated
CAP	: Brass, flash gold plated