

Type: **NZMN2–M160**
 Article No.: **265724**
 Sales text **Circuit-breaker 3p 160A motor protection**



Ordering information

Motor ratings			
Rated short-circuit current 500 V/525 V	I_q	kA	50
Setting range			
Overload releases			125...160
Short-circuit release			1280...2240
Contactor type "1" coordination			DILM150(...)
Contactor type "2" coordination			DILM80(...)

Notes concerning the product group

The motor-starter combination consists of the motor protective circuit-breaker or circuit-breaker and contactor.

They conform with IEC/EN 60947-4-1 or VDE 0660 Part 102.

I_q = Rated conditional short-circuit current.

General

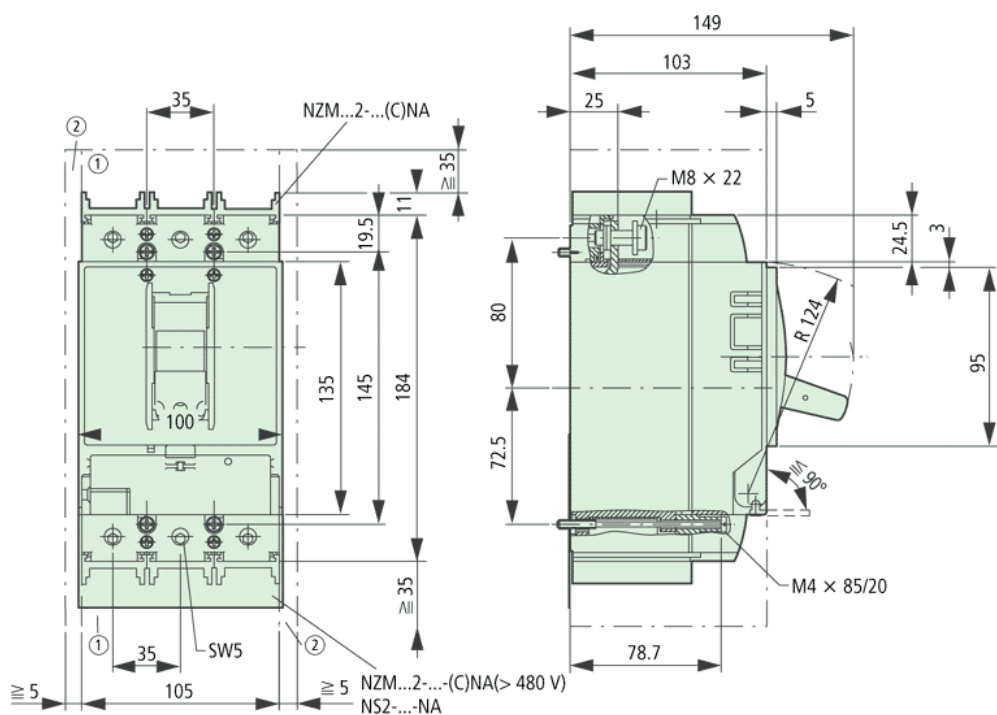
Standards			IEC/EN 61131-2 IEC/EN 60947-4
-----------	--	--	----------------------------------

Main conducting paths

Rated impulse withstand voltage	U_{imp}	V AC	6000
---------------------------------	-----------	------	------

Overvoltage category/pollution degree			III/3
Rated operational voltage	U_e	V	230 – 415
Additional technical data			
Further information			PKZM0 motor-protective circuit-breakers, see motor-protective circuit-breakers/PKZM0 product group DILM contactors, see contactors product group DILET timing relay, ETR, see contactors, electronic timing relays product group

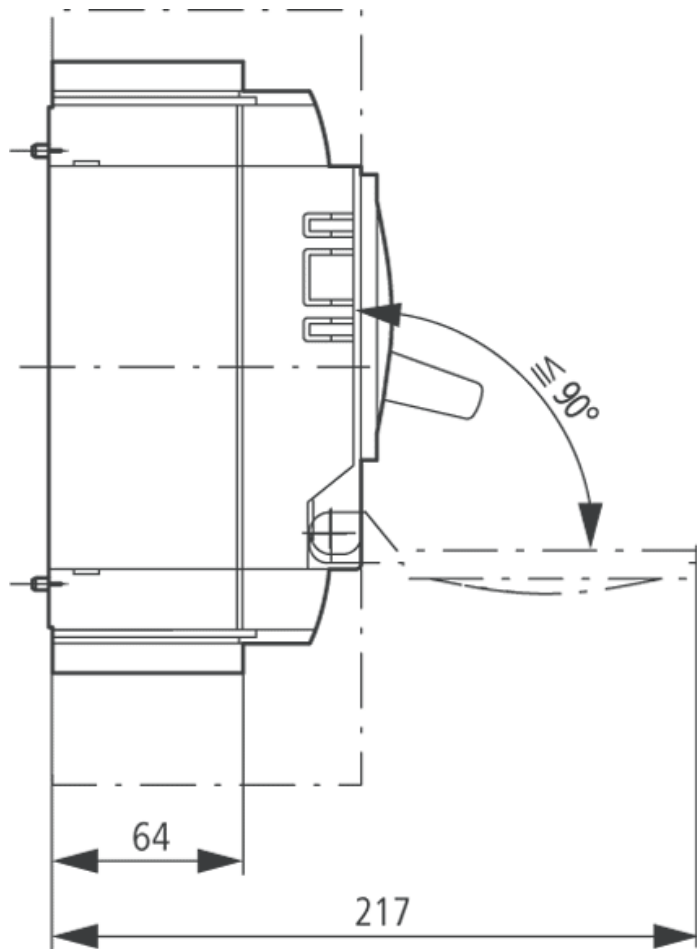
Dimensions



Blow out area, minimum distance to other parts 35 mm

Minimum distance to adjacent parts 5 mm

Dimensions



Moeller GmbH, Hein-Moeller-Str. 7-11, D-53115 Bonn
E-Mail: catalog@moeller.net, Internet: www.moeller.net, <http://catalog.moeller.net>
Copyright 2006 by Moeller GmbH. HPL-C2007G V2.1