

Type: **NZMN2–M200**  
 Article No.: **265725**  
 Sales text **Circuit-breaker 3p 200A motor protection**



Ordering information			
Motor ratings			
Rated short-circuit current 500 V/525 V	$I_q$	kA	50
Setting range			
Overload releases			160...200
Short-circuit release			1600...2500
Contactor type "1" coordination			DILM185/22(...) DILM225/22(...)
Contactor type "2" coordination			DILM185/22(...) DILM225/22(...)

**Notes concerning the product group**

The motor-starter combination consists of the motor protective circuit-breaker or circuit-breaker and contactor.

They conform with IEC/EN 60947–4–1 or VDE 0660 Part 102.

$I_q$  = Rated conditional short-circuit current.

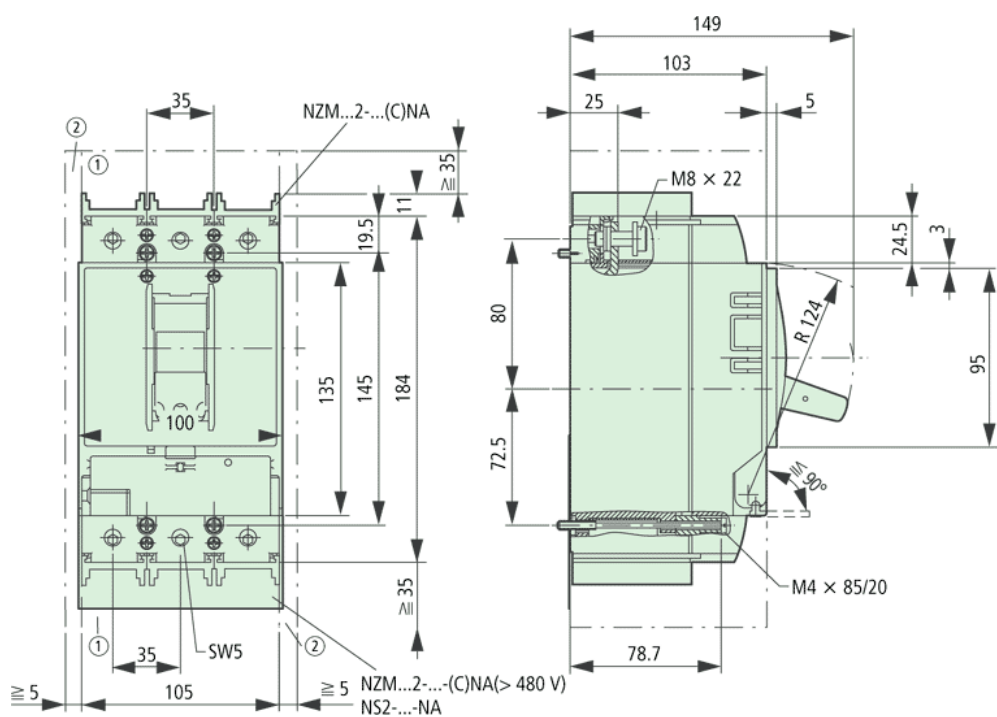
General		
Standards		IEC/EN 61131–2 IEC/EN 60947–4
Main conducting paths		

Rated impulse withstand voltage	$U_{imp}$	V AC	6000
Overtoltage category/pollution degree			III/3
Rated operational voltage	$U_e$	V	230 – 415

### Additional technical data

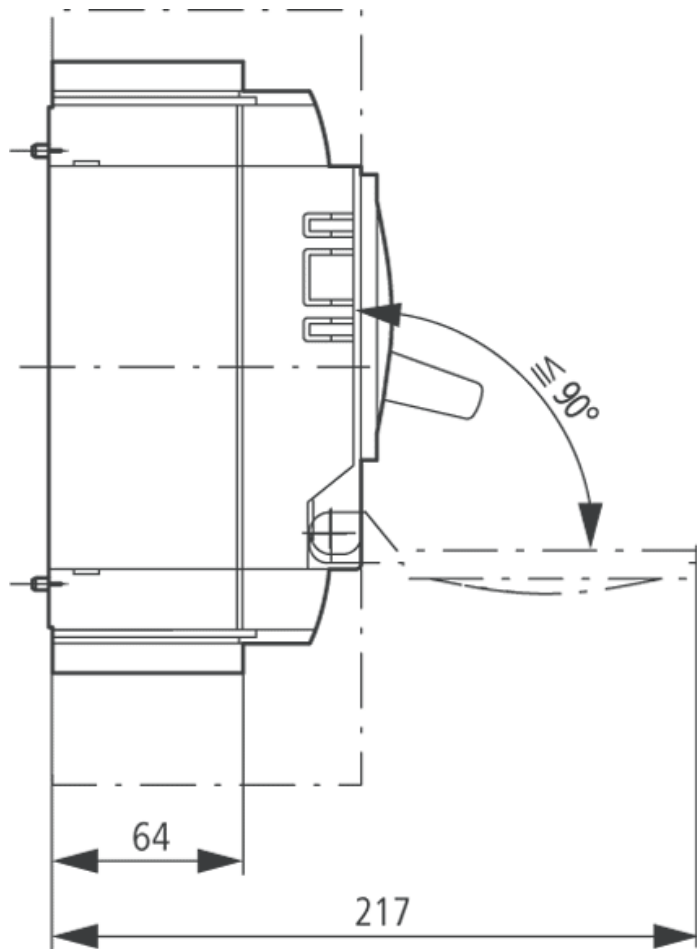
Further information			PKZM0 motor-protective circuit-breakers, see motor-protective circuit-breakers/PKZM0 product group DILM contactors, see contactors product group DILET timing relay, ETR, see contactors, electronic timing relays product group
---------------------	--	--	--

### Dimensions



Blow out area, minimum distance to other parts 35 mm  
 Minimum distance to adjacent parts 5 mm

### Dimensions



---

Moeller GmbH, Hein-Moeller-Str. 7-11, D-53115 Bonn  
E-Mail: [catalog@moeller.net](mailto:catalog@moeller.net), Internet: [www.moeller.net](http://www.moeller.net), <http://catalog.moeller.net>  
Copyright 2006 by Moeller GmbH. HPL-C2007G V2.1